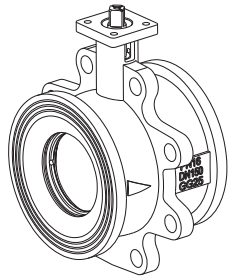
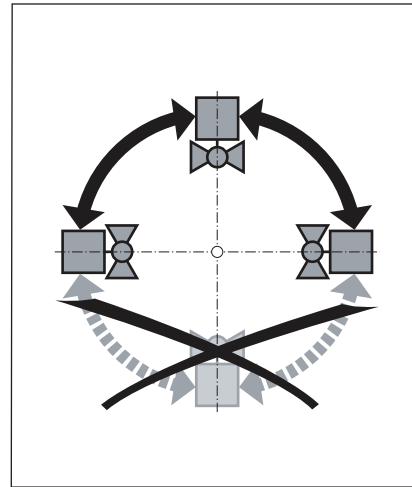
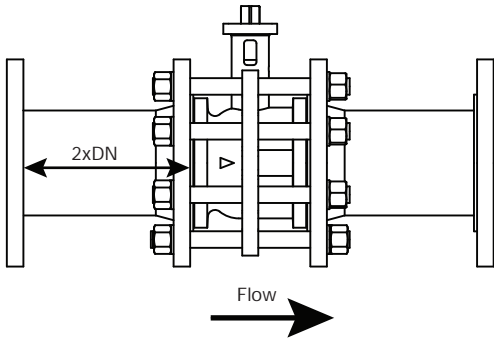
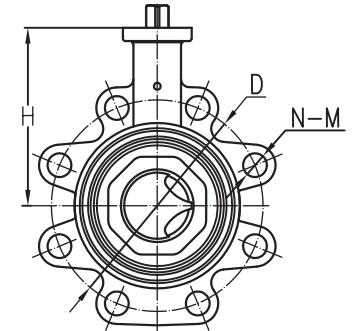
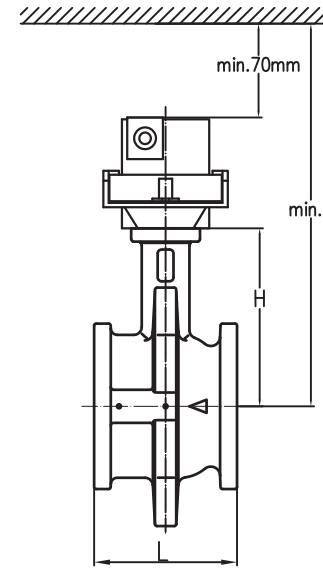
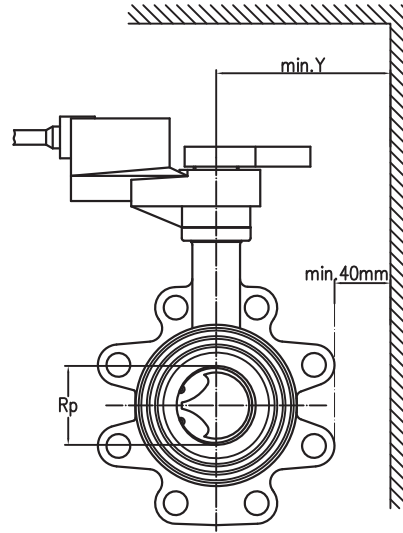

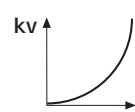
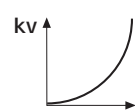
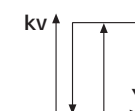


R6099AO, R6124AO, R6149AO



R6100AO, R6125AO, R6150AO



 R6099AO R6124AO R6149AO	 kv ↑ Y	DN		Dimensions [mm]					GRVU..		[m ³ /h]
		mm	in	L	H	D	N	M	X	Y	Kvs
R6099AO	 kv ↑ Y	100	4"	120	144	∅180	8	∅18	312.5	140	140
R6124AO		125	5"	142	158	∅210	8	∅18	327	153	230
R6149AO		150	6"	170	176.5	∅240	8	∅22	345	171	320
R6100AO	 kv ↑ Y	100	4"	120	144	∅180	8	∅18	312.5	140	230
R6125AO		125	5"	142	158	∅210	8	∅18	327	153	390
R6150AO		150	6"	170	176.5	∅240	8	∅22	345	171	570

▲ It is a general recommendation to keep min 2xDN of straight piping distance before the CCV installation in the pipe, to perform the best control function. No requirements for position after the valve.

