

# PKB and PMB Actuators

**1**

**Near Field Communication (NFC)** allows fast programming, commissioning and troubleshooting – even when the actuator is not powered it can be programmed

**ZIP-BT-NFC**  
Belimo Assistant App

**2**

**Direct Coupling Or Remote Mounting**  
Retrofit Form Required

4x  
25 Nm

**3**

NEMA 4X

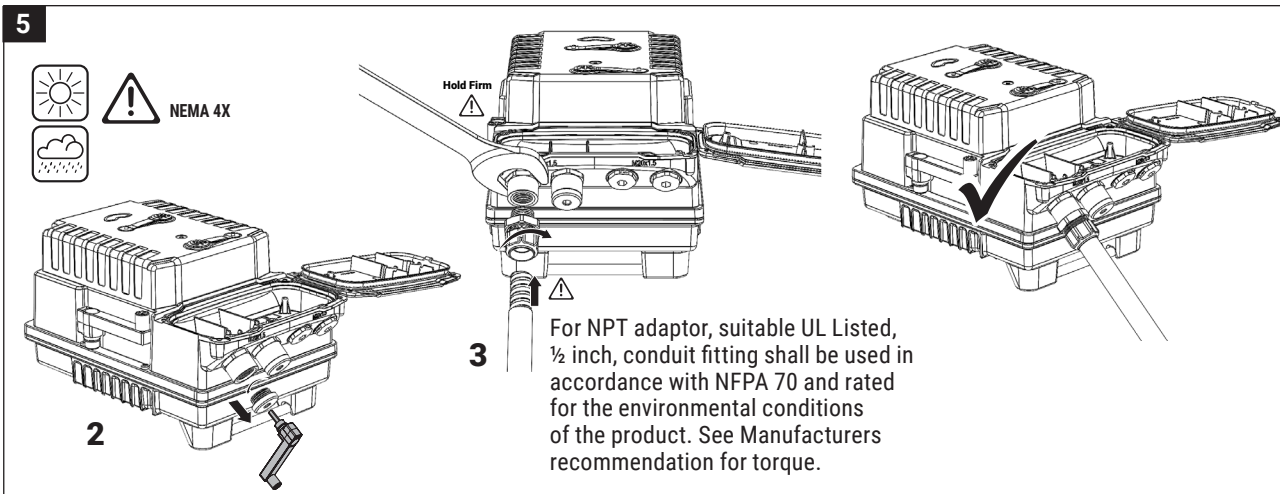
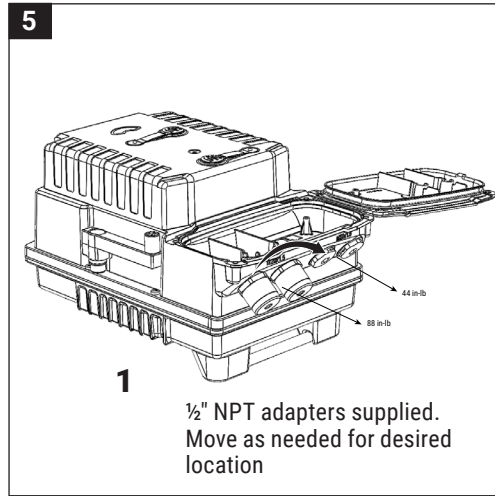
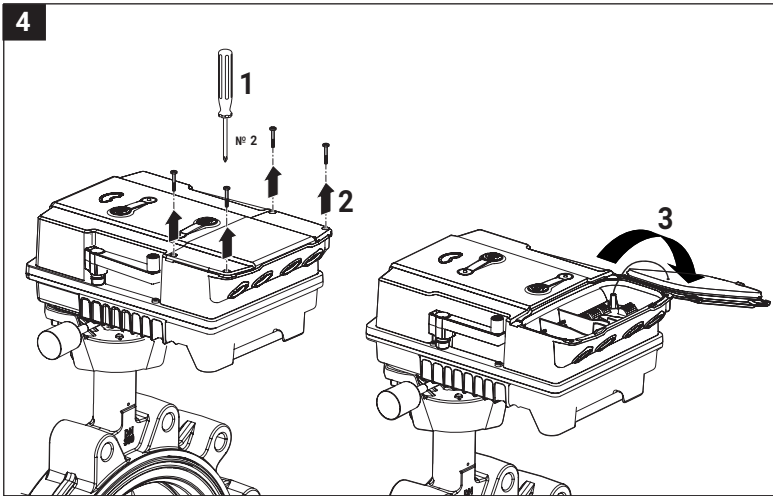
9 in.-lb

NEMA 4X

10...15°

\*\* Note: Signal will be overridden with hand crank engaged in the port located closest to junction box. Position of actuator can be manually adjusted with hand crank. After use, make sure caps are fastened back on securely after use.

# PKB and PMB Actuators



# PKB and PMB Actuators



**6**

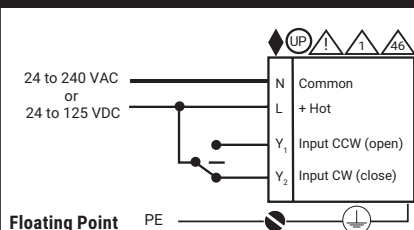
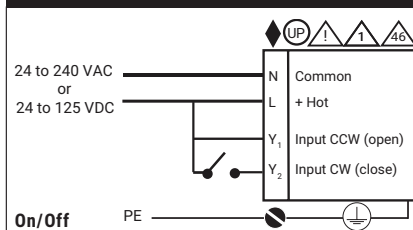
**7**

**NEMA 4X**

**WARNING:** The wiring technician must be trained and experienced with electronic circuits. Disconnect power supply before attempting any wiring connections or changes. Make all connections in accordance with wiring diagrams and follow all applicable local and national codes. Provide disconnect and overload protection as required. Use copper, twisted pair, conductors only. If using electrical conduit, the attachment to the actuator must be made with flexible conduit.

## WIRING DIAGRAMS

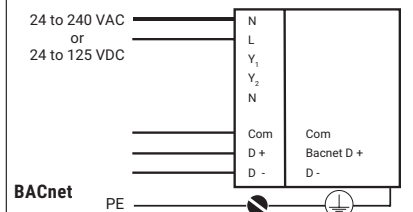
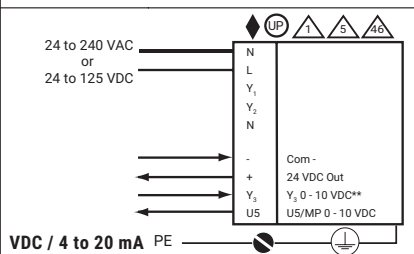
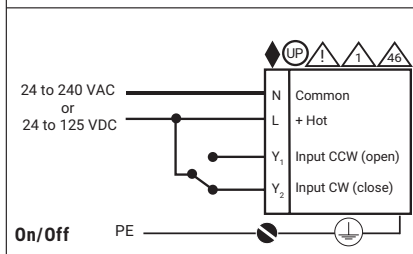
### PR/PM... and PKR/PK... Actuators



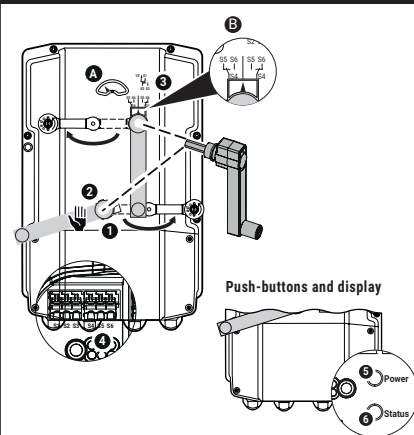
**Notes:**

- ◆ Meets cULus requirements without the need of an electrical ground connection.
- ⚠ Provide overload protection and disconnect as required.
- ⚠ Only connect common to neg. (-) leg of control circuits.
- ⚠ Two built-in auxiliary switches (2x SPDT), for end position indication, interlock control, fan startup, etc.
- ⚠ Actuators may be controlled in parallel. Current draw and input impedance must be observed.
- ⚠ Universal Power Supply (UP) models can be supplied with 24 VAC up to 240 VAC, or 24 VDC up to 125 VDC.
- ⚠ During installation, testing, servicing and troubleshooting of this product, it may be necessary to work with live electrical components. Have a qualified licensed electrician or other individual who has been properly trained in handling live electrical components perform these tasks. Failure to follow all electrical safety precautions when exposed to live electrical components could result in death or serious injury.

\*\*Control type, direction and fail position changes can be made via Belimo Selection Tools, i.e. ZTH, PC-Tool and App.



### Optional: end switch adjustment



- ⚠ Disconnect power.
- 1 **Gear disengagement**  
Open the manual override cover and insert the hand crank. Manual override is possible.
- 2 **Manual override**  
Turn the hand crank until **A** indicates the desired switching position and then remove the crank.
- 3 **Auxiliary switch**  
Open the auxiliary switch adjustment cover and properly seat the hand crank into the actuator. **B** Turn the crank until the arrow points to the vertical line.
- 4 **Terminals**  
Connect continuity tester to S4 + S5 or to S4 + S6. If the auxiliary switch should switch in the opposite direction, rotate the hand crank by 180°.
- 5 **LED Display Green**  
Off: No power supply or malfunction, On: In operation  
Press button: Triggers test run, followed by standard mode.
- 6 **LED Display Yellow**  
Off: Standard mode, On: Test run active.

