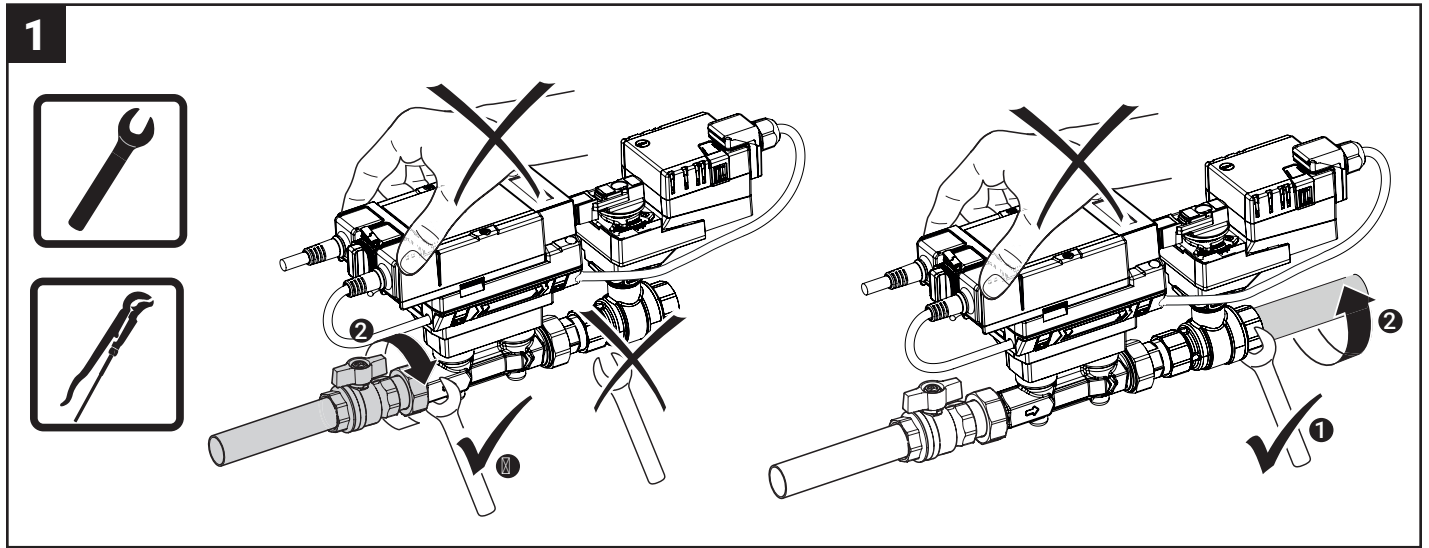
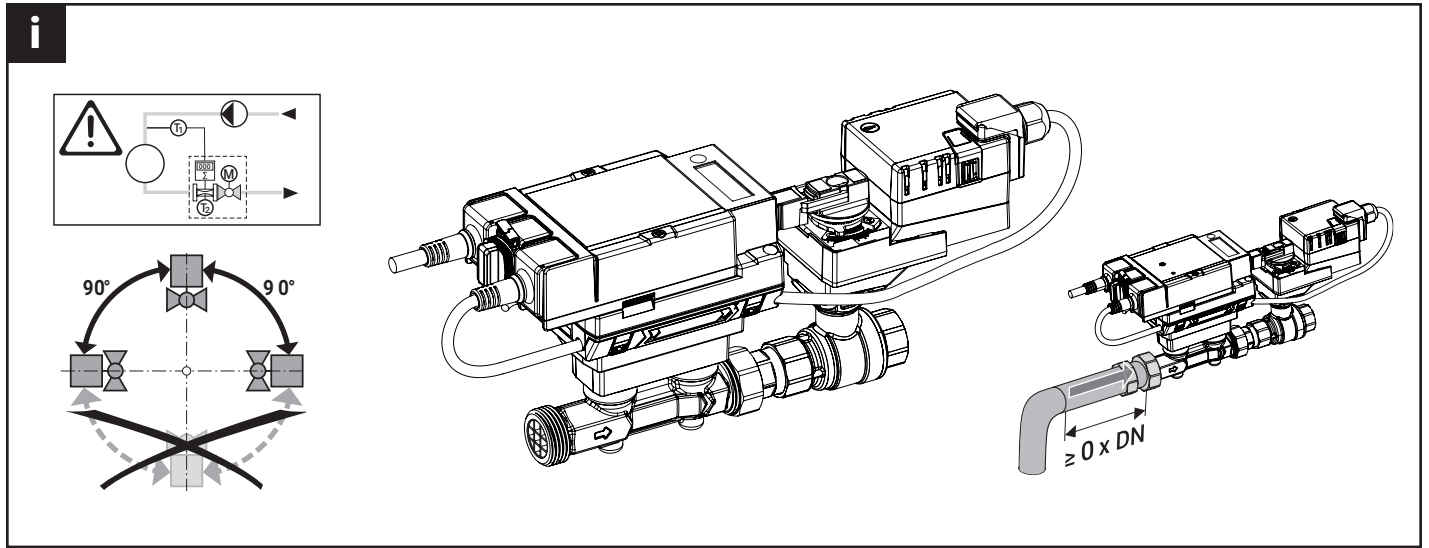
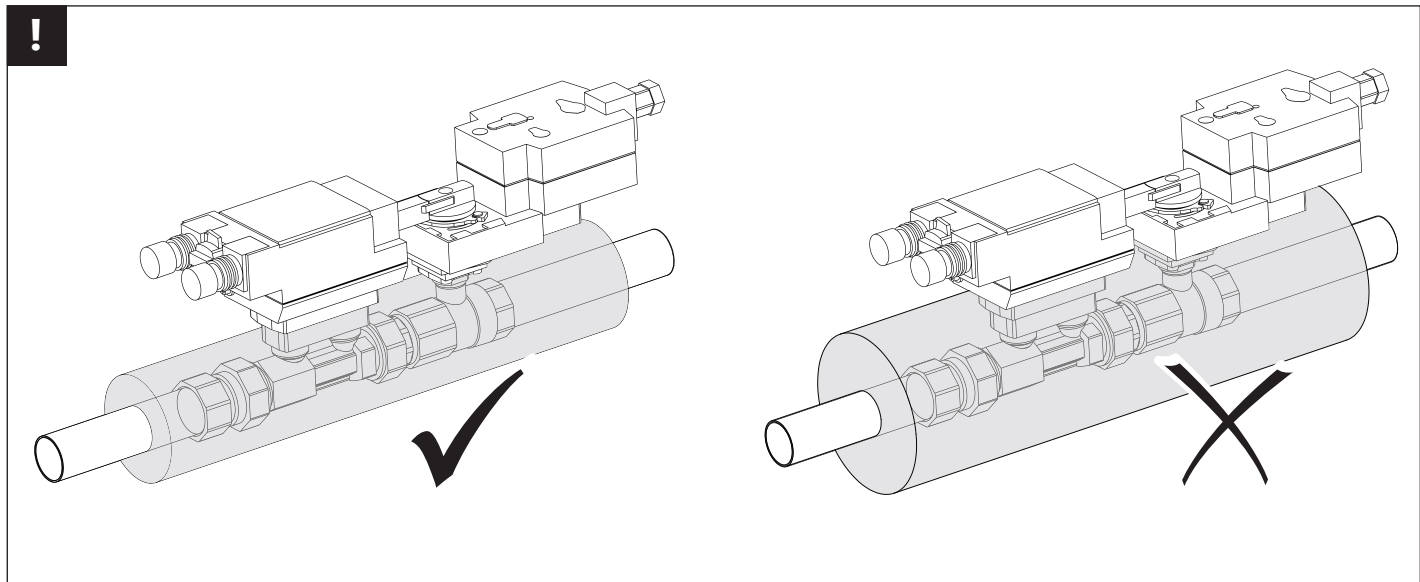
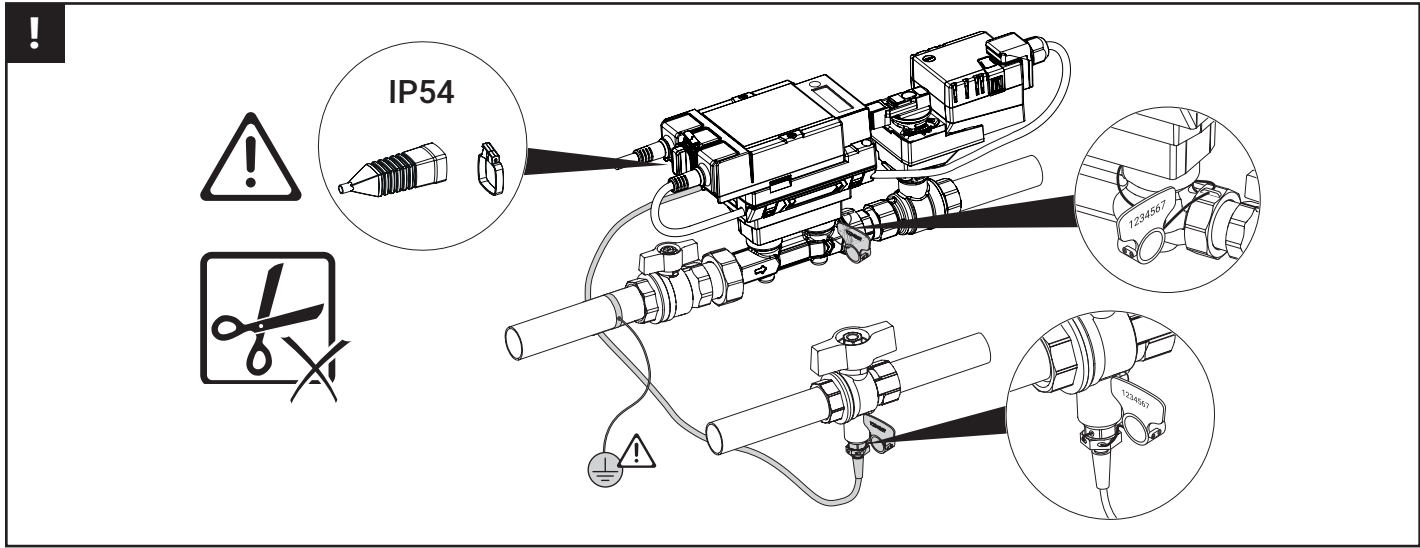


Energy Valve 4

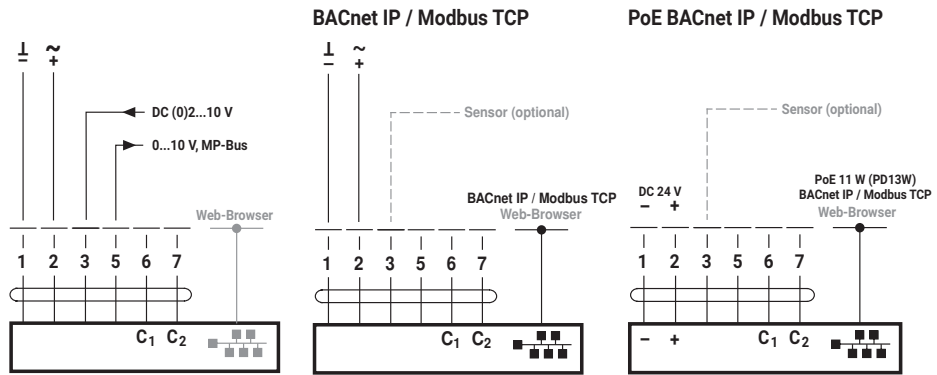


Energy Valve 4

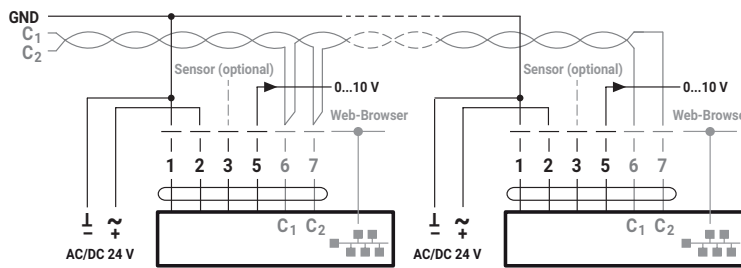


Energy Valve 4

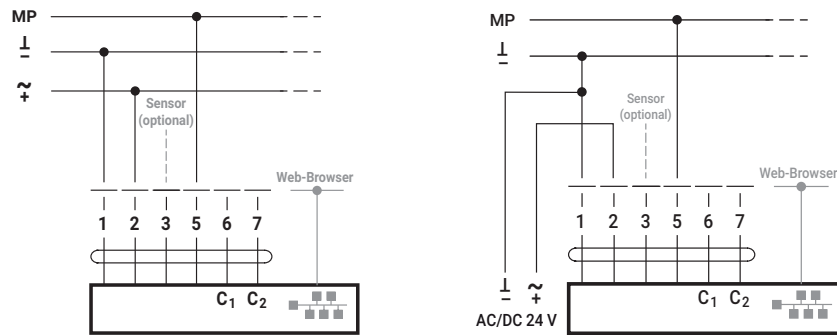
- 1 = GND
- 2 = AC/DC 24 V
- 3 = Sensor
- 5 = MP, 0...10 V
- 6 = C1 = D- = A
- 7 = C2 = D+ = B



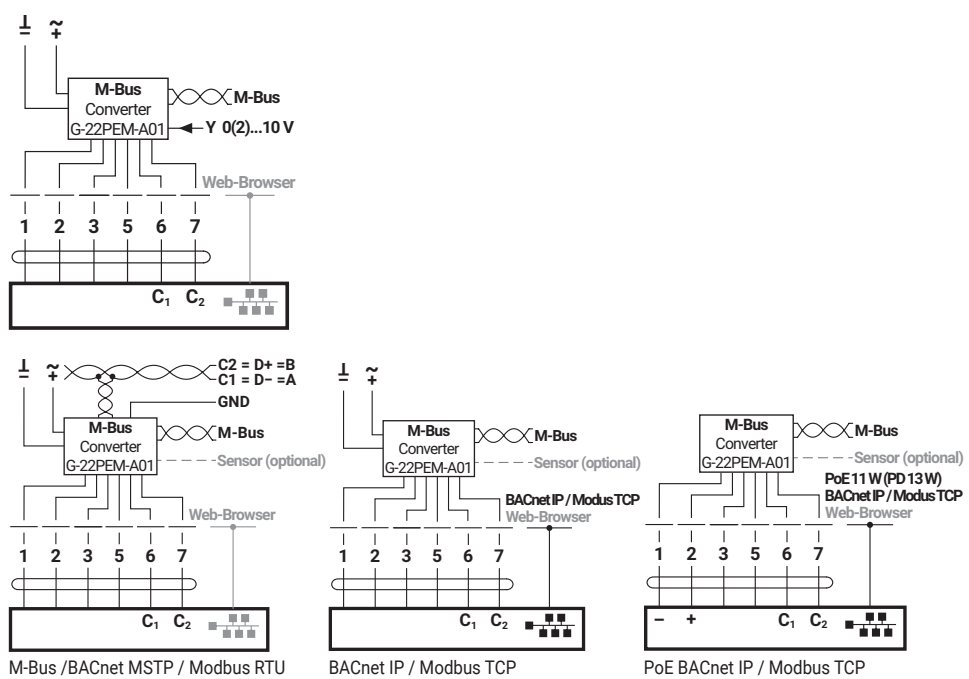
BACnet MSTP / Modbus RTU



MP-Bus

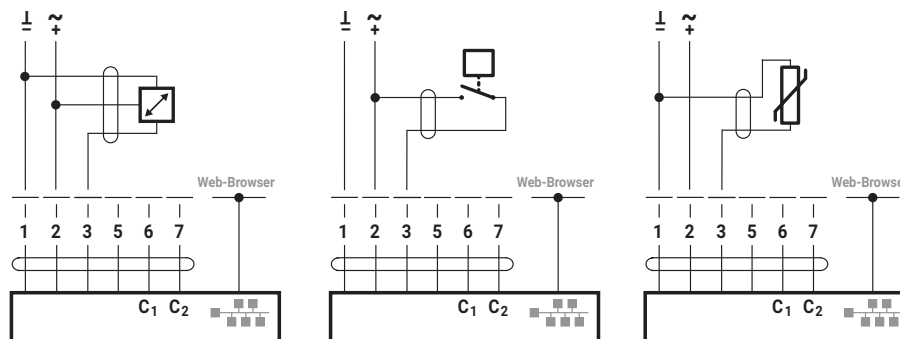


M-Bus

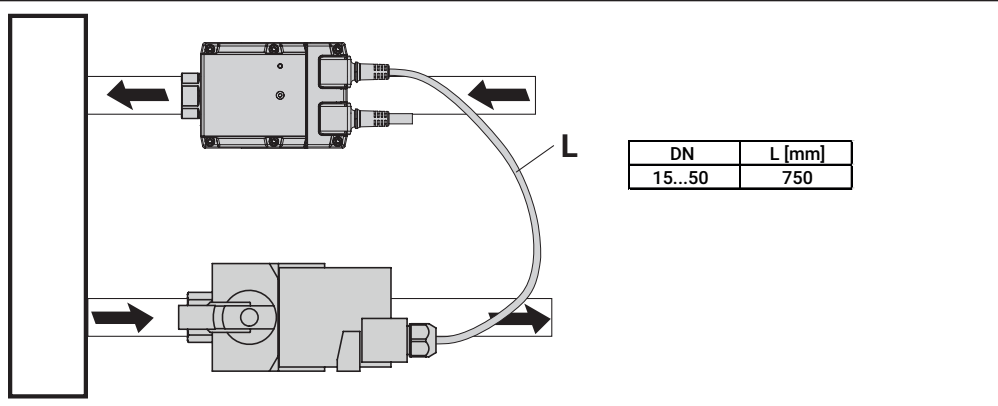


Energy Valve 4

Sensor (optional)



i optional



i optional 22WDP.

