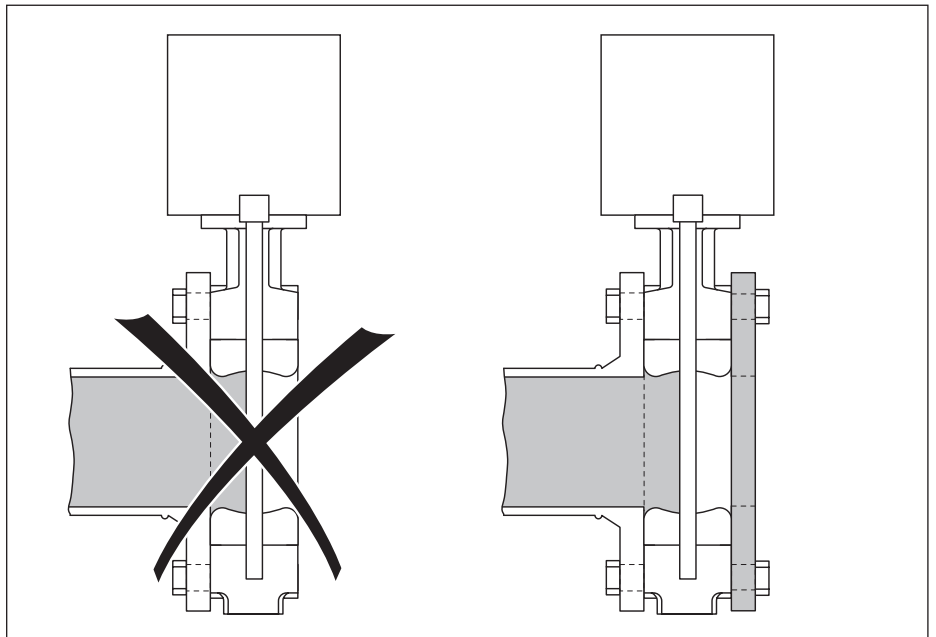
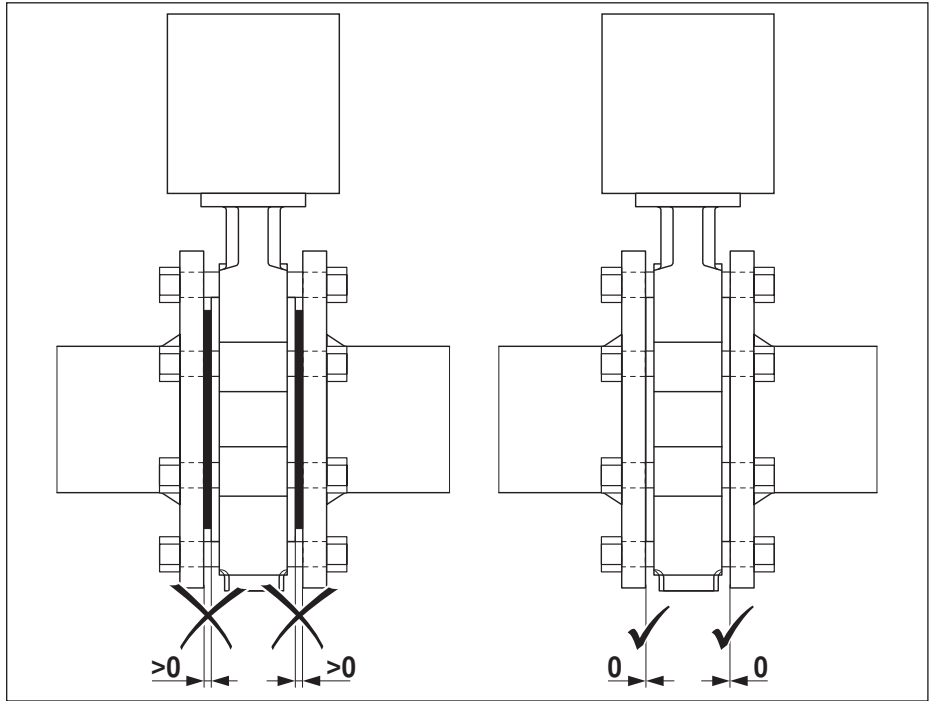
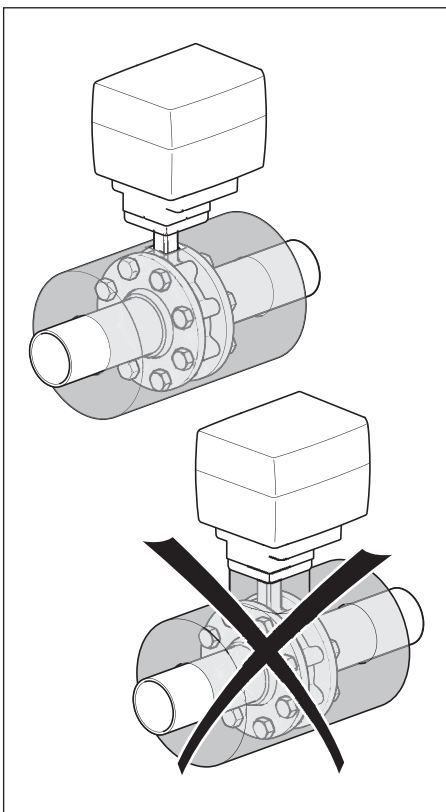
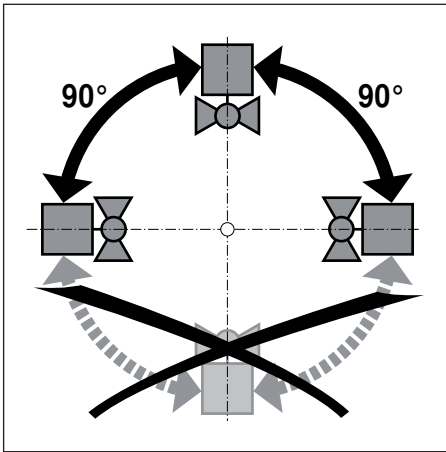
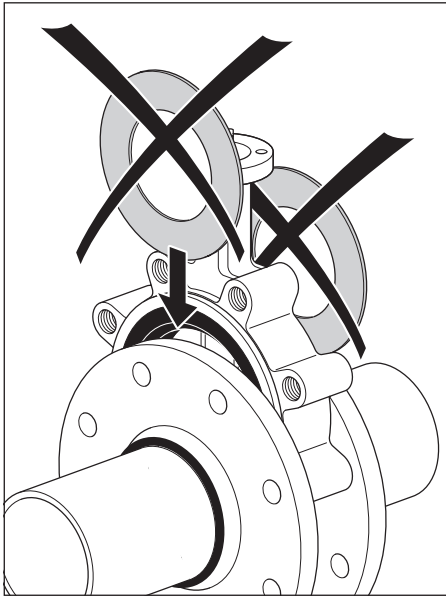


DN	A	B
DN 350	M24	≤270 Nm
DN 400	M27	≤360 Nm
DN 450	M27	≤360 Nm
DN 500	M30	≤510 Nm
DN 600	M33	≤700 Nm





DN	A	B	C
DN 350	SY6..	M10	56-61 Nm
	SY7..	M16	168-178 Nm
DN 400	SY7..	M16	168-178 Nm
DN 450	SY8..	M16	168-178 Nm
DN 500	SY9..	M16	196-206 Nm
DN 600	SY12..	M20	328-348 Nm