

• Warren Globe Valve Linkage with EV, RV, and AVK actuators



5-year warranty

Type overview

Type	Stroke
WGVL	2" [50 mm]

Technical data

Functional data	Fluid	chilled or hot water and steam
	Fluid Temp Range (water)	Please Refer to Manufacturer's Valve Specifications
	Mounting orientation	360°
	Applicable valve size	2...6" [50...150]
Materials	Hardware	SS and Nickel plated steel
	Housing material	Die cast aluminium and plastic casing
	Stem	316 stainless steel
	Stem adapter	steel
	Frame, plate, base	aluminum, steel (fits Warren Type 20,22,23,30, and 32) and Belimo G6/G7
	Collar	steel
	Coupling	GF Nylon supplied
Suitable actuators	Non Fail-Safe	EVB(X) RVB(X)
	Electrical fail-safe	AVKB(X)
	For close-off pressure, reference Select Pro or RetroFIT+ technical documentation.	

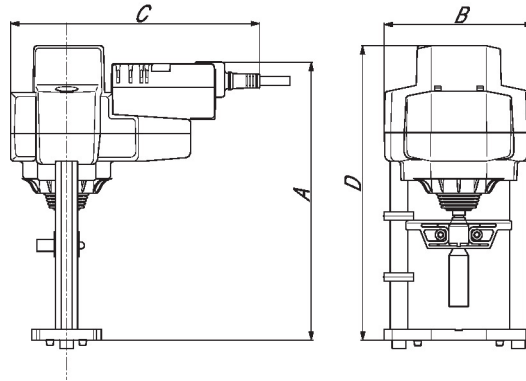
Product features

Default/Configuration	The default set up for a WGVL linkage will be factory installed along with an AVK or EV, RV series actuator. Included in the kit will be all the necessary hardware to facilitate mounting to the Warren valve.
------------------------------	---

Dimensions

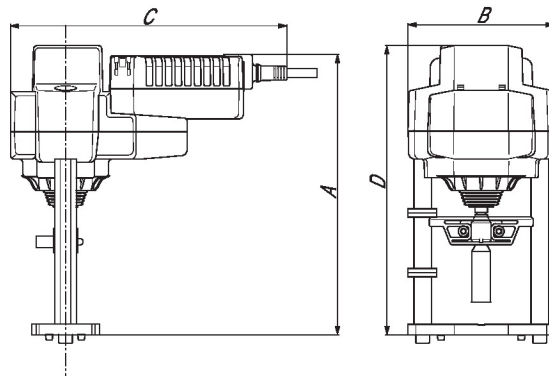
Type	Weight
WGVL	1.1 lb [0.50 kg]

Dimensions



EVB, EVX, RVB, RVX

A	B	C	D
10.2" [260]	5.5" [140]	9.2" [234]	12.2" [310]



AVKB, AVKX

A	B	C	D
10.4" [264]	5.5" [140]	10.3" [262]	10.9" [276]