



5-year warranty

Type overview

Type	Stroke
UGSL1200	6 mm

Technical data

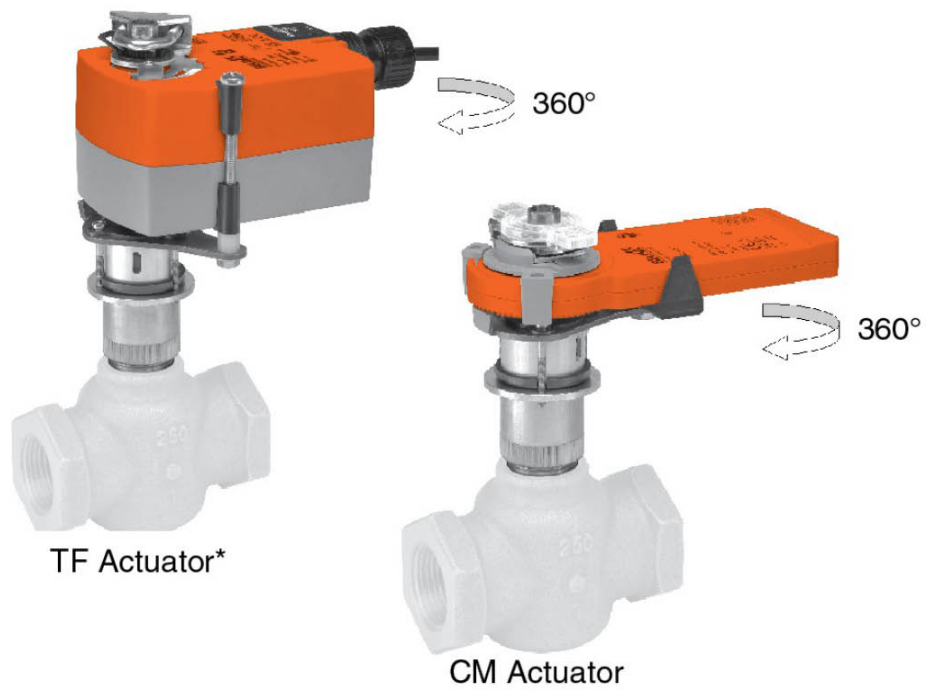
Functional data	Fluid	chilled or hot water and steam
	Fluid Temp Range (water)	Please Refer to Manufacturer's Valve Specifications
	Mounting Position	360°
	Applicable valve size	0.5...2" [15...50]
Materials	Hardware	stainless steel
	Housing material	Aluminum
	Spindle	stainless steel
	Bearing	nylon 6/6 with MDS
	Frame, plate, base	aluminum, stainless steel
	Coupling	brass
Suitable actuators	Non-Spring	CMB
	Spring	TFB(X)

*TFL series actuators required for on/off applications. Linkage can not be used for 1.5" NC valves.
For close-off pressure reference Select Pro or retrofit technical documentation.

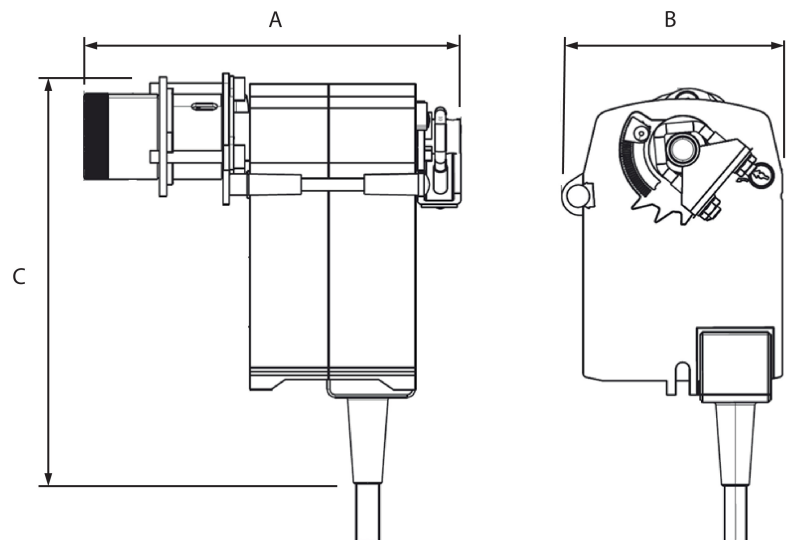
Product features

Default/Configuration	The default set up for this linkage is for usage with the CM actuator. Included in the kit is an extension piece for TF actuators. Hardware is supplied to attach the shaft extension with anti-rotation screws to both a CM or TF actuator.
Application	The UGSL1200 retrofit kit is designed to easily attach to the valve bonnet on select Siemens 599 MT/MZ short-stroke valves utilizing Belimo CM and TF* series actuators. The unique coupler design allows the UGSL1200 to be mounted on any 1/2" to 1 1/4" two-way or three-way valves. In addition, the linkage is suitable for both normally open and normally closed valves.
Operation	The UGSL1200 linkage provides 6 mm of downward stroke with 90° CW rotation on the actuator. This allows the valve to extend fully open or closed based on signal. The slot located on the housing provides indication when the maximum stroke has been reached. For troubleshooting when using a CM actuator, the operator may use the manual override feature to rotate the linkage up or down. When using the TF, refer to electronic override instructions according to actuator model.

Flow/Mounting details

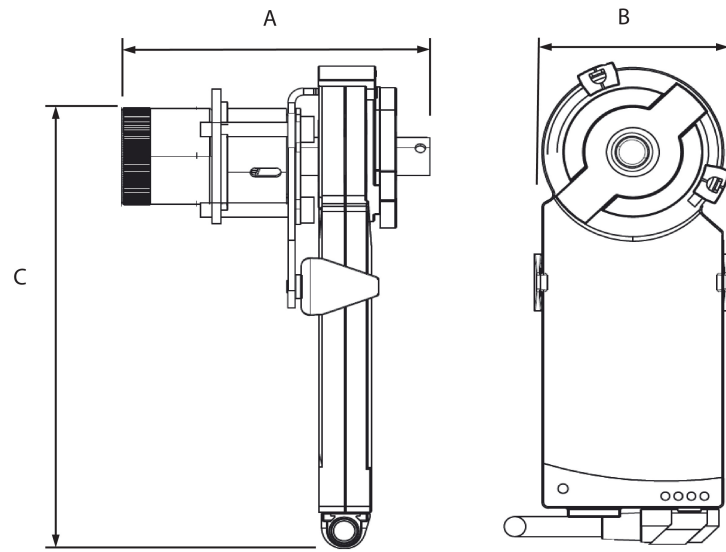


Dimensions



TFB, TFX

A	B	C
5.5" [140]	3.3" [85]	5.5" [139]



CMB

A	B	C
3.7" [95]	2.4" [60]	6.3" [159]