

**NPT-Threaded Globe Valves**

- chilled or hot water, up to 60% glycol
- ANSI Class 250, up to 400 psi below 150°F
- repack kits available
- ANSI Class VI



5-year warranty

**Type overview**

<b>Type</b>	<b>DN</b>
G325B-L	25

**Technical data**

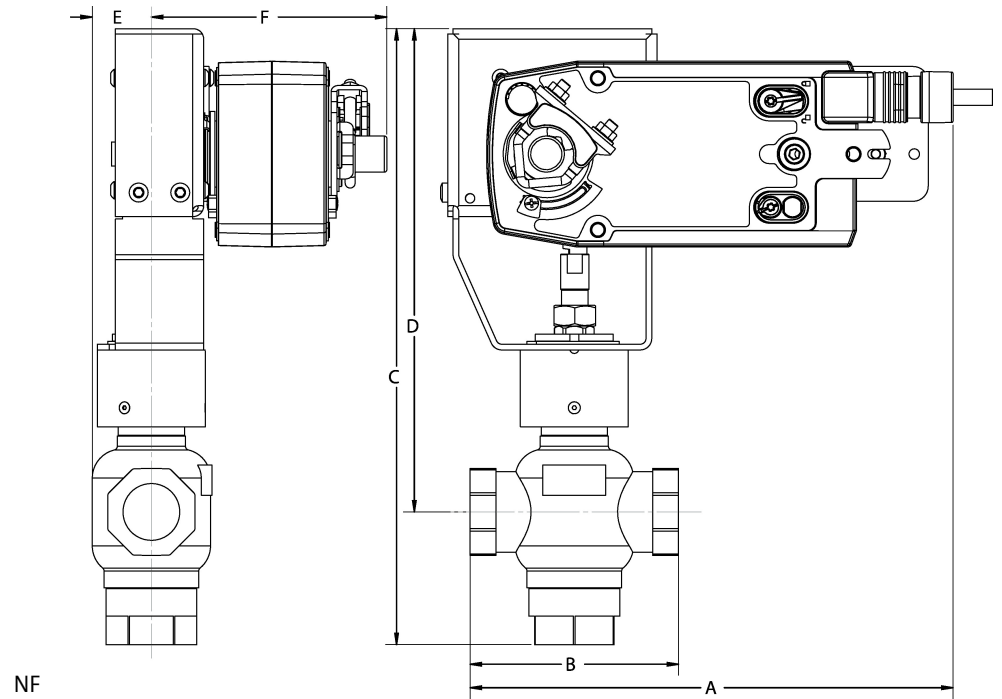
<b>Functional data</b>	Valve size [mm]	1" [25]
	Fluid	chilled or hot water, up to 60% glycol
	Fluid Temp Range (water)	20...280°F [-7...138°C]
	Body Pressure Rating	ANSI Class 250, up to 400 psi below 150°F
	Flow characteristic	modified equal percentage, linear B – AB
	Servicing	repack kits available
	Rangeability Sv	A-port 100:1, B-port 50:1
	Flow Pattern	3-way Mixing/Diverting
	Leakage rate	ANSI Class VI
	Controllable flow range	stem up - open B – AB
Cv	14	
<b>Materials</b>	Valve body	Bronze
	Valve plug	brass
	Stem	stainless steel
	Stem seal	EPDM O-ring
	Seat	Bronze
	Pipe connection	NPT
<b>Suitable actuators</b>	Non-Spring	SVB(X)
	Spring	NF
	Electrical fail-safe	SVKB(X)

**Safety notes**


- **WARNING:** This product can expose you to lead which is known to the State of California to cause cancer and reproductive harm. For more information go to [www.p65warnings.ca.gov](http://www.p65warnings.ca.gov)
- The valve has been designed for use in stationary heating, ventilation and air-conditioning systems and must not be used outside the specified field of application, especially in aircraft or in any other airborne means of transport.
- Only authorized specialists may carry out installation. All applicable legal or institutional installation regulations must be complied during installation.
- The valve does not contain any parts that can be replaced or repaired by the user.
- When determining the flow rate characteristic of controlled devices, the recognised directives must be observed.

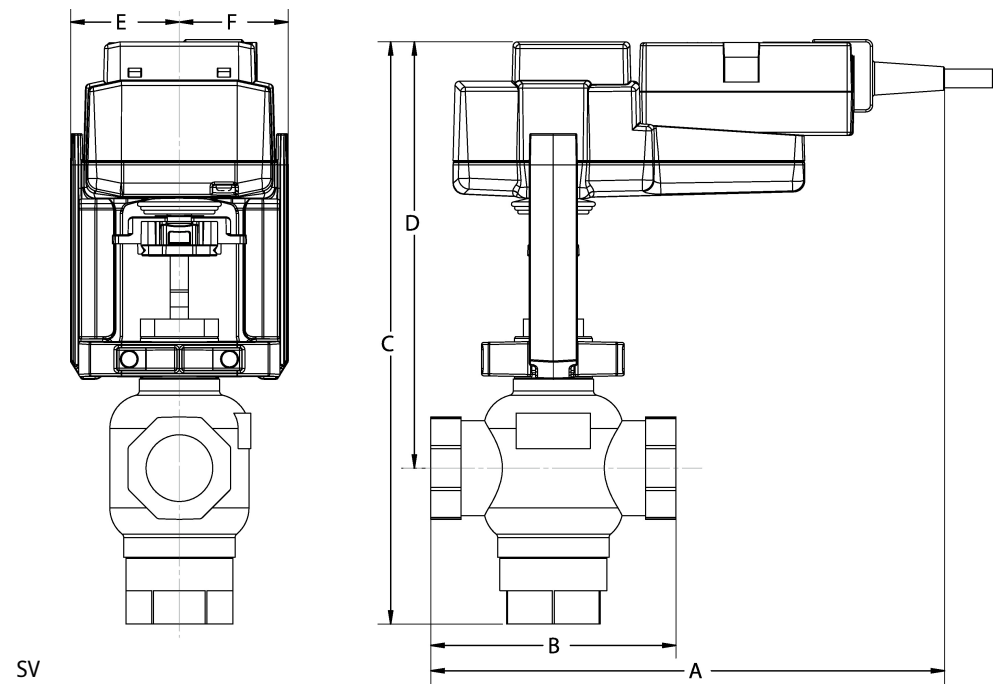
**Dimensions**

<b>Type</b>	<b>DN</b>	<b>Weight</b>
G325B-L	25	2.4 lb [1.1 kg]



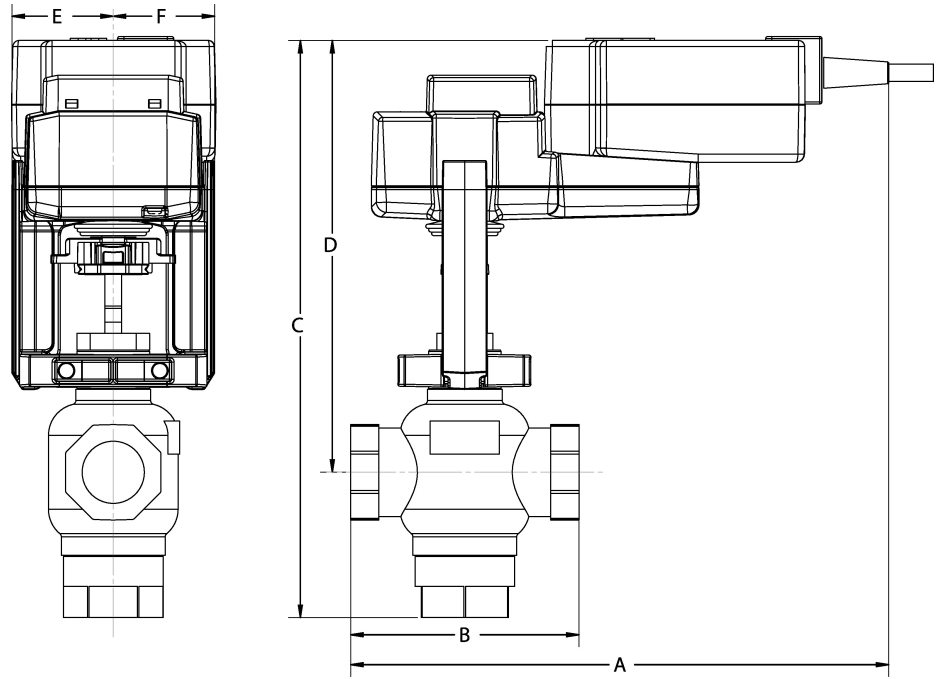
NF

A	B	C	D	E	F
10.2" [260]	4.4" [112]	12.8" [325]	10.2" [260]	1.2" [30]	4.9" [125]



SV

A	B	C	D	E	F
9.1" [231]	4.4" [112]	10.3" [262]	8.6" [218]	1.9" [48]	1.9" [48]



SVK

A	B	C	D	E	F
10.2" [260]	4.4" [112]	11.0" [279]	8.2" [208]	1.9" [48]	1.9" [48]