

Butterfly Valve with

- Bubble tight shut-off
- Resilient seat
- Valve face-to-face dimensions comply with API 609 & MSS-SP-67
- Completely assembled and tested, ready for installation



Picture may differ from product



5-year warranty

Type overview

Type	DN
F6125L	5" [125]

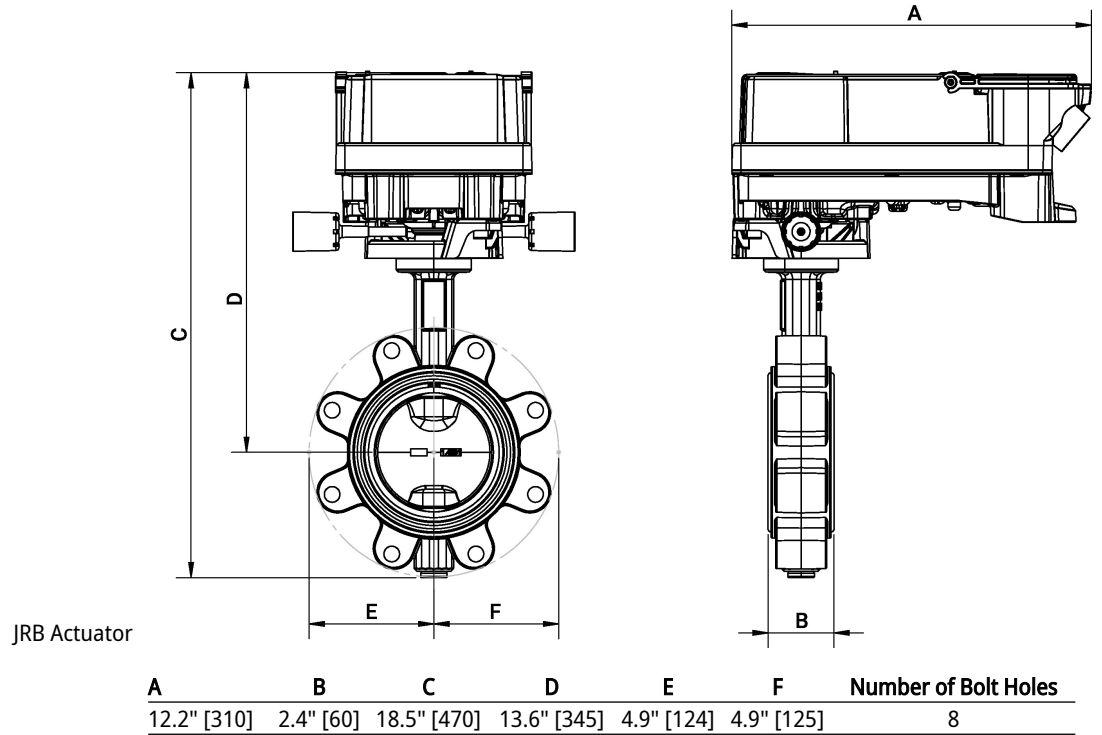
Technical data

Functional data	Fluid	Chilled and hot water, water with glycol up to max. 60% vol.
	Fluid temperature	-22...250°F [-30...120°C]
	Body Pressure Rating	ANSI Class Consistent with 125, 232 psi CWP
	Close-off pressure Δps	200 psi
	Flow characteristic	equal percentage
	Leakage rate	0% leakage
	Pipe connection	Flange for use with ASME/ANSI class 125/150
	Servicing	maintenance-free
	Flow Pattern	2-way
	Controllable flow range	90° rotation
	Cv	1140
	Maximum Velocity	12 FPS
	Lug threads	3/4-10 UNC
Materials	Valve body	Ductile cast iron GGG40
	Valve plug	Stainless steel AISI 304 (CF-8, 1.4308)
	Stem	Stainless steel AISI 420 (1.4021)
	Stem seal	EPDM O-ring
	Stem bearing	Bronze, steel, PTFE
	Seat	EPDM

Dimensions

Type	DN	Weight
F6125L	5" [125]	21.7 lb [9.8 kg]

Dimensions



Further documentation

- The complete product range for water applications
- Data sheets for actuators
- Installation instructions for actuators and/or butterfly valves
- General notes for project planning