

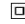
- MP-Bus Power supply for MP-actuators
- AC 230 / 24 V for local power supply of MP-actuators operating on the MP-Bus



Content

<u>Technical Data</u>	<u>2</u>
<u>Application</u>	<u>2</u>
<u>Product features</u>	<u>3</u>
<u>Device Overview</u>	<u>3</u>
<u>Cable lengths MP-Bus</u>	<u>3</u>
<u>Connection MP-actuator with sensor</u>	<u>4</u>
<u>Connection of 2 MP-actuators</u>	<u>5</u>
<u>Connection parameterizing tools PC-Tool</u>	<u>6</u>
<u>Connection parameterizing tools ZTH EU</u>	<u>7</u>
<u>Dimensions</u>	<u>7</u>

Technical Data

Electrical Data	Nominal voltage	AC 230 V, 50/60 Hz
	Nominal voltage range	AC 198 ... 264 V
	Power consumption operation For wire sizing	11 W 13VA (Power consumption in relation to the connected actuator)
Connection	Secondary output power consumption	Max. 10VA
	Power supply	cable 0,9 m with Euro plug type 26
	MP-Bus	Screw terminal, 2-pin
	Parameterization devices	3-pin Weidmüller socket
Safety	BF(G)24TL Fire damper	4-pin socket
	MP-Actuators	Screw terminal for 2 x wire 1,5mm ²
	Protection class	II Totally insulated 
	EMV	CE according to 2004/108/EC
	Low voltage directive	CE according to 2006/95/EC
	Mode of operation	Type 1 (EN 60730-1)
	Rated impulse voltage	2,5 kV (EN 60730-1)
	Control pollution degree	2 (EN 60730-1)
	Ambient temperature	-20 ... 50 °C
	Non-operating temperature	-40 ... 80 °C
Dimensions / Weight	Moisture test	95% r.H., non-condensing (EN 60730-1)
	Maintenance	Maintenance-free
	Dimensions	See "Dimensions" at page 7
	Weight	750 g

Definitions

MP-Actuator Umbrella term for MP/MPL/ MFT (2)-actuators and VAV-controller.

Safety notes



- The device has been designed for use in stationary heating, ventilation and air-conditioning systems and is not allowed to be used outside the specified field of application, especially in aircraft or in any other airborne means of transport.
- Only authorized specialists may carry out installation. All applicable legal or institutional installation regulations must be complied with during installation.
- The device contains electrical and electronic components and is not permitted to be disposed of as household refuse. All locally valid regulations and requirements must be observed.

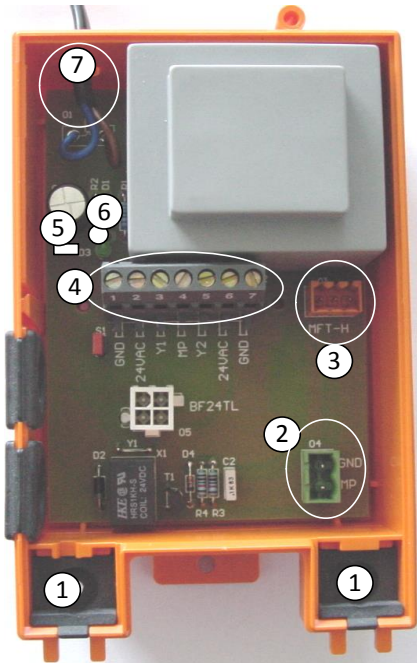
Application

- Applications in 2-wire MP-Bus networks. The MP-actuators are supplied locally by AC24V from the ZN230-24MP. Due to this, longer MP-Bus lengths can be realized,
- Connection of one actuator and one sensor, or 2 actuators.
- The PC-Tool or ZTH EU can be connected to the MP-actuator via the ZN230-24MP. Once a parameterization tool is connected (Tool), the communication gets separated from the MP-network, thus preventing data collision.

Product features

- Connection AC230 V over Euro plug
- Terminal connection for MP-actuators
- Connection possibility for sensors
- Socket for connecting parameterizing tools (PC-Tool, ZTH EU)

Device Overview



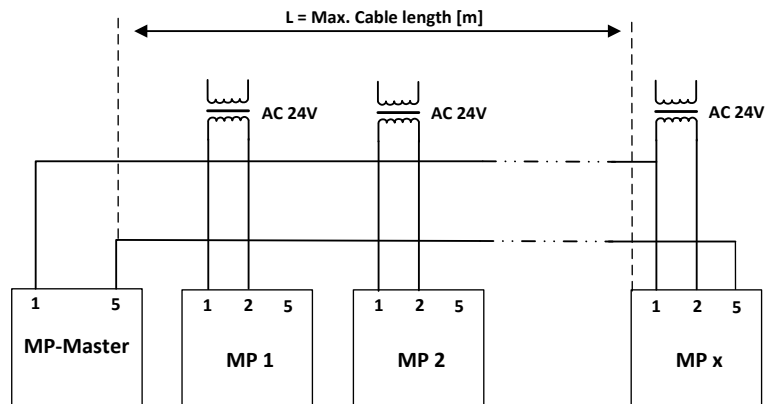
- 1) Cable gland for Belimo actuators
- 2) Connection MP-Bus
- 3) Connection for parameterizing tool
- 4) Connection for Belimo MP-actuators and sensors
- 5) Jumper S1
 - plugged: Connection 1 MP-actuator and 1 sensor
 - open: Connection 2 MP-actuators
- 6) Power-On LED
- 7) Power supply AC230 V

Cable lengths MP-Bus

If the MP-actuators are supplied by a separate local transformer with AC 24V, the cable lengths can be increased. Regardless of the performance specifications of the connected actuators and independently of the wire- ϕ of the MP-wiring, the cable lengths, as listed in the table below, can be reached

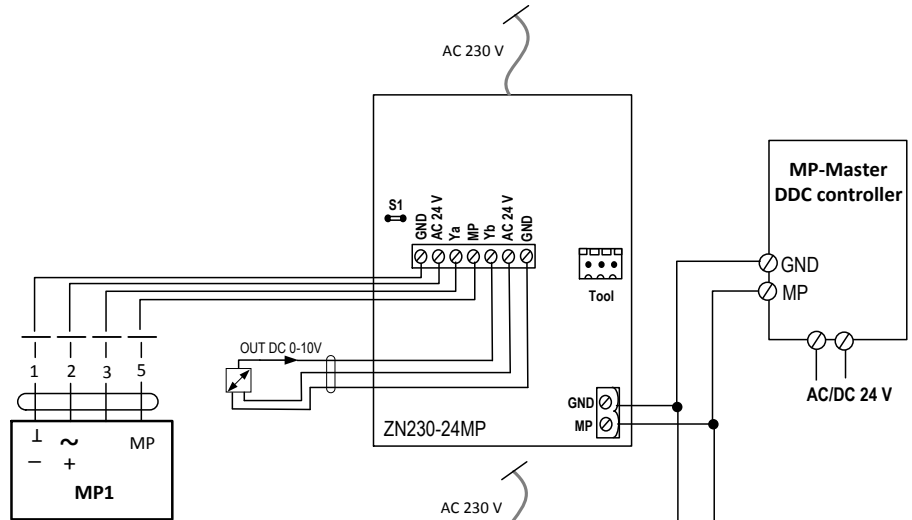
Cable lengths for all MP-Bus capable actuators

Wire- ϕ [mm ²]	L = Max. Cable length [m]
0.75	800
1.0	
1.5	
2.5	

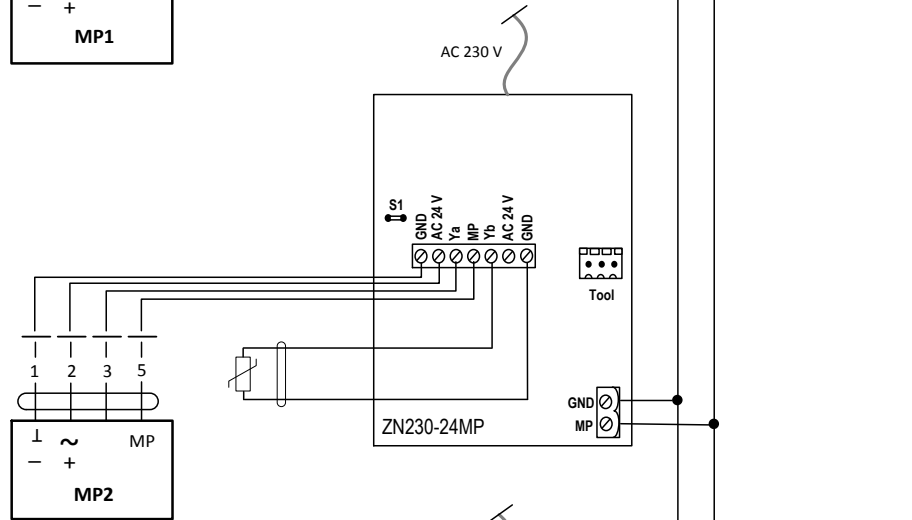


Connection MP-actuator with sensor

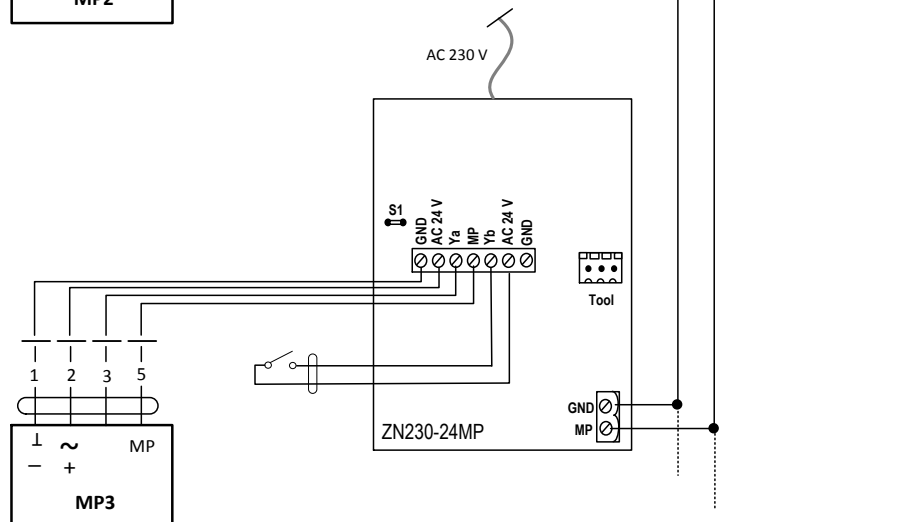
Connection 1 MP-actuator with active sensor



Connection 1 MP-actuator with passive sensor

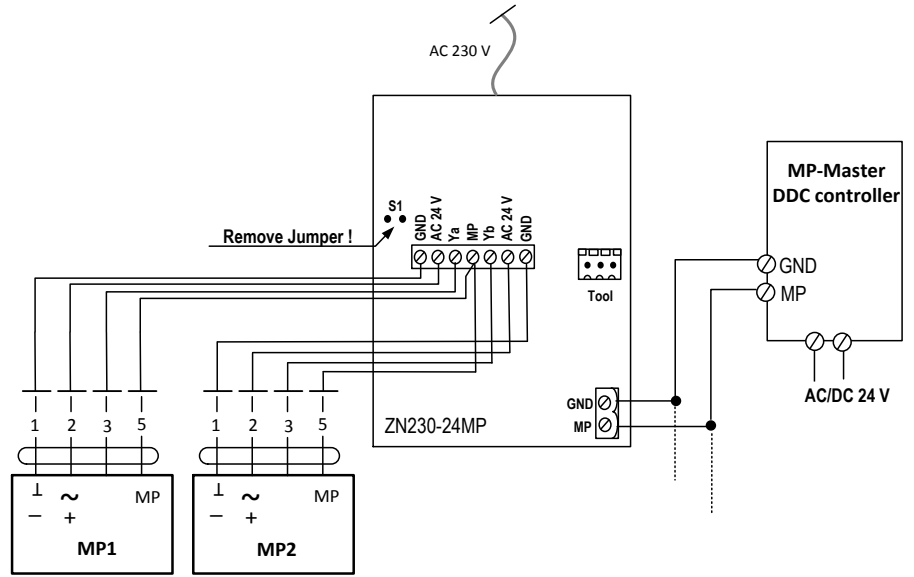


Connection 1 MP-actuator with external switch contact



Connection of 2 MP-actuators

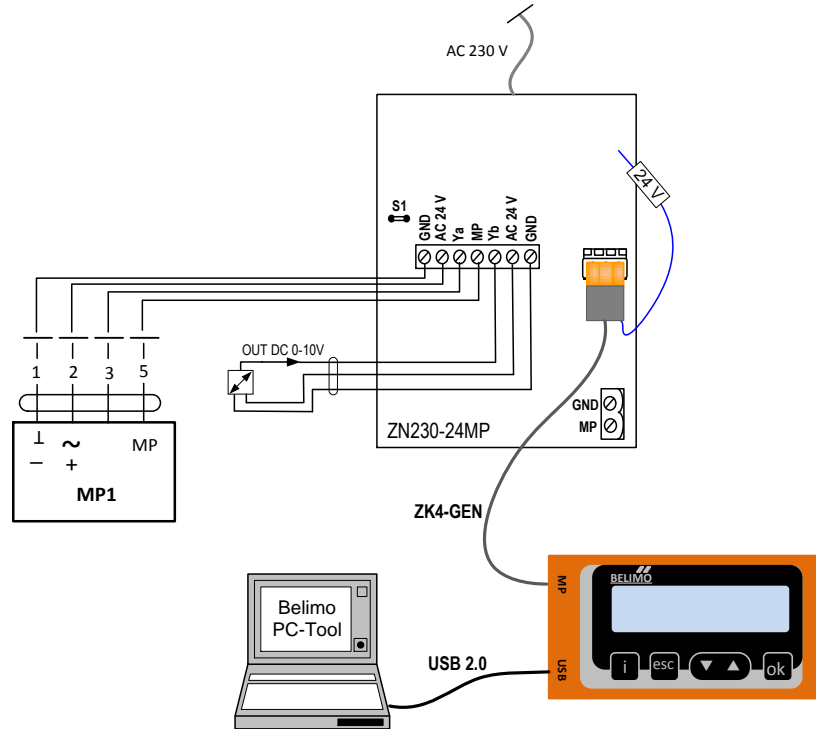
When operating 2 MP-actuators, Jumper S1 must be removed.



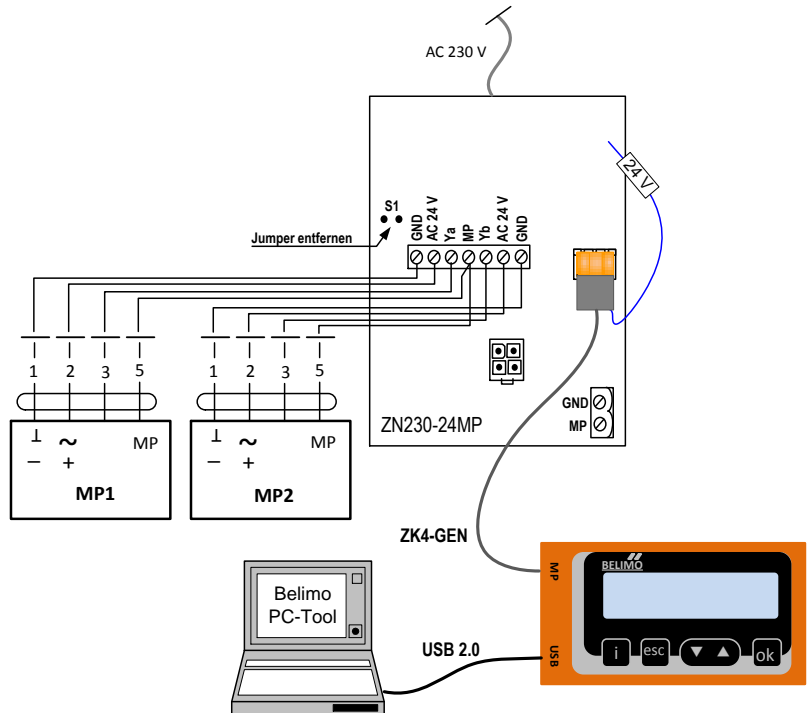
Connection parameterizing tools PC-Tool

By using the tool socket, the corresponding ZN230 MP-24 MP is temporarily disconnected from the network.

Connection 1 actuator and 1 sensor
PC-Tool via ZIP-device
(Figure ZTH EU)



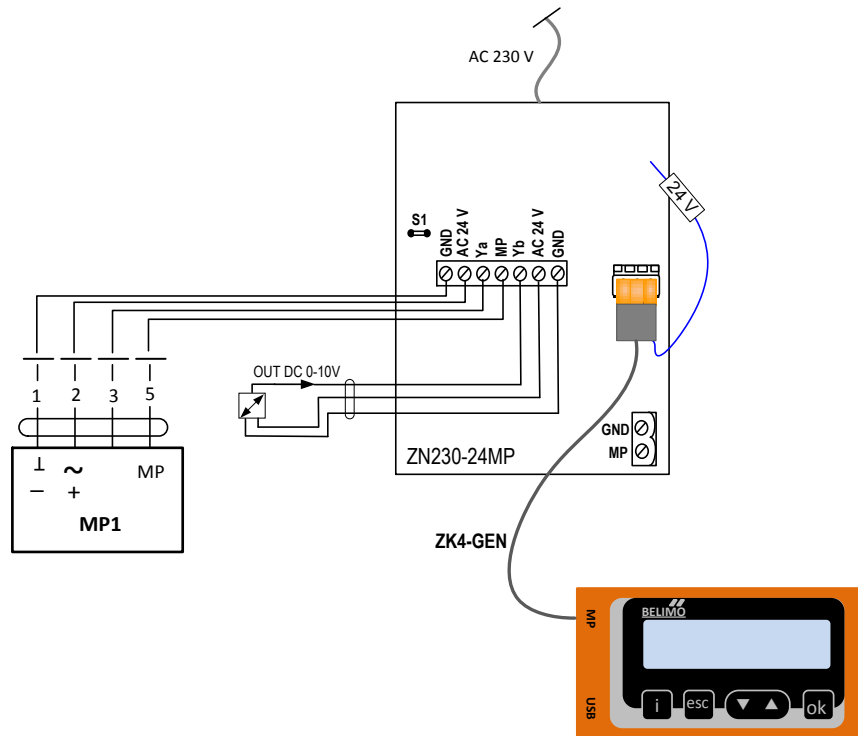
Connection 2 actuators
PC-Tool via ZTH EU
(ZIP-function)



Note:
For parameterizing by the PC-Tool, the actuators must be accessed by their corresponding MP-address.

Connection parameterizing tools ZTH EU

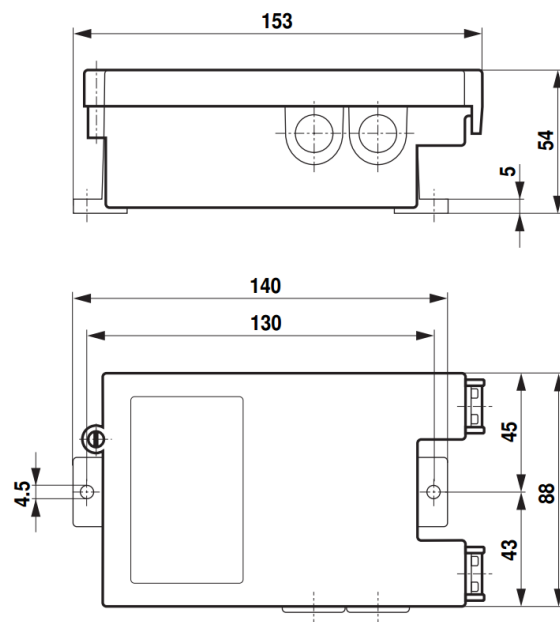
ZTH EU



Note:
The ZTH EU can only be connected to a single connected actuator.

Dimensions

Dimensional drawings



All-inclusive.



-  5-year warranty
-  On site around the globe
-  A complete range of products from one source
-  Tested quality
-  Short delivery times
-  Comprehensive support

Headquarters

BELIMO Holding AG
Brunnenbachstrasse 1
CH-8340 Hinwil
Tel. +41 43 843 61 11
Fax +41 43 843 62 68
info@belimo.ch
www.belimo.com

Subsidiaries, Representatives and Agencies

Albania	Cameroon	Japan	Qatar
Algeria	Canada	Jordan	Romania
Argentina	Central America	Kazakhstan	Russia
Australia	Chile	Korea	Saudi Arabia
Austria	China	Kuwait	Serbia
Bahrain	Croatia	Latvia	Singapore
Belarus	Cyprus	Lebanon	Slovakia
Belgium	Czech Republic	Libya	Slovenia
Bosnia	Denmark	Lithuania	South Africa
Brazil	Egypt	Luxembourg	Spain
Bulgaria	Estonia	Macedonia	Sri Lanka
	Finland	Malaysia	Sweden
	France	Malta	Switzerland
	Georgia	Mexico	Taiwan
	Germany	Moldova	Thailand
	Greece	Montenegro	Tunisia
	Great Britain	Morocco	Turkey
	Hong Kong	Netherlands	United Arab Emirates
	Hungary	New Zealand	Ukraine
	Iceland	Norway	United States of America
	India	Oman	Vietnam
	Indonesia	Pakistan	
	Ireland	Philippines	
	Israel	Poland	
	Italy	Portugal	

Belimo worldwide: www.belimo.com

BELIMO[®]