

Zone valve, 3-way Diverting, Internal thread

- For open and closed cold and warm water systems
- For fan coil and VAV boxes in heating, ventilation and air conditioning systems


Type overview

Type	DN []	Rp ["]	kvs [m³/h]	PN []	Δps [kPa]
Z315S-24	15	1/2	2.2	20	414
Z315S-230	15	1/2	2.2	20	414
Z320S-24	20	3/4	2.6	20	344
Z320S-230	20	3/4	2.6	20	344
Z325S-24	25	1	3.0	20	303
Z325S-230	25	1	3.0	20	303

Technical data

Electrical data	Nominal voltage	AC 24 V AC 230 V
	Nominal voltage note	±10 %
	Nominal voltage frequency	50/60 Hz
	Power consumption in operation	6.5 W
	Power consumption for wire sizing	7 VA
	Connection	Cable 10 cm, 2 x 0.75 mm²
Functional data	Running time motor	13...18 s
	Running time spring-return	4...5 s
	Running time spring-return note	Spring return, port "A" open
	Manual override	Manual operating lever
	Media	Cold and warm water, water with max. 50% volume of glycol
	Medium temperature	0...93 °C
	Medium temperature note	(non-freezing)
	Pipe connector	Internal thread BSP
Maintenance	Maintenance-free	
Safety	Ambient temperature	0...50 °C
	Ambient humidity	10...85% RH
	Storage temperature	-10...60 °C
	Storage humidity	10...90% RH
	Fire protection rating	UL94-V2
Materials	Actuator	Stainless steel base plate, Aluminum alloy cover
	Valve body	Forged Brass
	Valve flap	NBR

Safety notes


- This device has been designed for use in stationary heating, ventilation and air conditioning systems and must not be used outside the specified field of application, especially in aircraft or in any other airborne means of transport.
- Only authorised specialists may carry out installation. All applicable legal or institutional installation regulations must be complied during installation.
- The device may only be opened at the manufacturer's site. It does not contain any parts that can be replaced or repaired by the user.
- The device contains electrical and electronic components and must not be disposed of as household refuse. All locally valid regulations and requirements must be observed.

Product features

Mode of operation	The actuator consists of a synchronous motor with spring return function, which is available in most common used voltages. The valve is normally-closed. The valve body is made of forge brass. The actuator body consists of a stainless steel base plate with an Aluminum alloy cover. The water is regulated with the use of a special rubber flap, which will close the valve bubble tight.
Manual override	Move the lever slowly and hold it in the retaining notch, then the valve is opened. The lever goes back to the automatic position when the valve is first powered on.
Combination valve/actuator	Valve actuator can be easily detached by push lever. Installation or maintenance can be more flexible.

Electrical installation

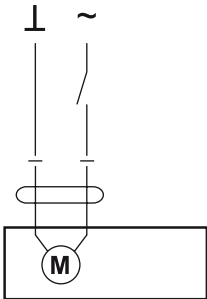


Notes

- Caution: Power supply Voltage!
- Parallel connection of other actuators possible. Observe the performance data.
- To isolate from the main power supply, the system must incorporate a device which disconnects the phase conductors (with at least a 3mm contact gap).

Wiring diagrams

AC 24, 230V

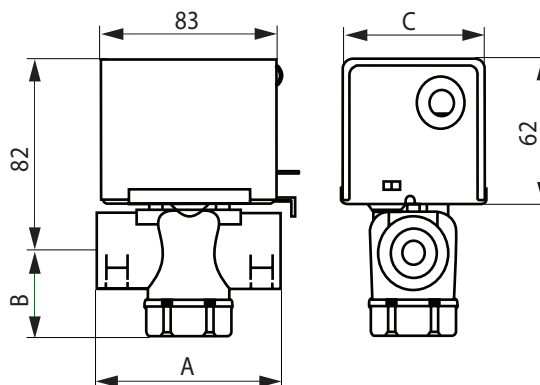


Installation notes

Recommended installation positions The valve should be mounted in a weather-protected area in a location that is within the ambient limits of the actuator. Allow sufficient room for actuator and service. The valve must be installed with the stem above the horizontal. The flow direction is indicated on the valve body. Do not reverse flow direction.

Dimensions / Weight

Dimensional drawings



Type	DN []	Rp ["]	A [mm]	B [mm]	C [mm]	Weight [kg]
Z315S-24	15	1/2	70	31	66	0.75
Z315S-230	15	1/2	70	31	66	0.75
Z320S-24	20	3/4	87	37	66	0.9
Z320S-230	20	3/4	87	37	66	0.9
Z325S-24	25	1	96	42	66	1.05
Z325S-230	25	1	96	42	66	1.05