

Rotary actuator fail-safe for adjusting dampers in technical building installations

- Air damper size up to approx. 4 m<sup>2</sup>
- Torque motor 20 Nm
- Nominal voltage AC/DC 24 V
- Control Open/close
- With 2 integrated auxiliary switches
- PWIS/LABS-compliant according to VDMA 24364



## Technical data

|                        |  |   |
|------------------------|--|---|
| <b>Electrical data</b> | Nominal voltage                          | AC/DC 24 V  |
|                        | Nominal voltage frequency                | 50/60 Hz  |
|                        | Nominal voltage range                    | AC 19.2...28.8 V / DC 21.6...28.8 V                                 |
|                        | Power consumption in operation           | 5 W   |
|                        | Power consumption in rest position       | 2.5 W   |
|                        | Power consumption for wire sizing        | 7.5 VA  |
|                        | Auxiliary switch                         | 2x SPDT, 1x 10% / 1x 11...100%                                      |
|                        | Switching capacity auxiliary switch      | 1 mA...3 A (0.5 A inductive), DC 5 V...AC 250 V                     |
|                        | Connection supply / control              | Cable 1 m, 2x 0.75 mm <sup>2</sup>                                  |
|                        | Connection auxiliary switch              | Cable 1 m, 6x 0.75 mm <sup>2</sup>                                  |
| Parallel operation     | Yes (note the performance data)          |   |
| <b>Functional data</b> | Torque motor                             | 20 Nm   |
|                        | Torque fail-safe                         | 20 Nm   |
|                        | Direction of motion motor                | selectable by mounting L/R  |
|                        | Direction of motion fail-safe            | selectable by mounting L/R  |
|                        | Manual override                          | by means of hand crank and locking switch                           |
|                        | Angle of rotation                        | Max. 95°  |
|                        | Angle of rotation note                   | adjustable starting at 33% in 2.5% steps (with mechanical end stop) |
|                        | Running time motor                       | 75 s / 90°  |
|                        | Running time fail-safe                   | <20 s @ -20...50°C / <60 s @ -30°C                                  |
|                        | Sound power level, motor                 | 45 dB(A)  |
|                        | Mechanical interface                     | Universal shaft clamp 10...25.4 mm                                  |
|                        | Position indication                      | Mechanical  |
| Service life           | Min. 60'000 fail-safe positions          |   |
| <b>Safety data</b>     | Protection class IEC/EN                  | III, Safety Extra-Low Voltage (SELV)                                |
|                        | Power source UL                          | Class 2 Supply  |
|                        | Protection class auxiliary switch IEC/EN | II, reinforced insulation   |
|                        | Degree of protection IEC/EN              | IP54  |
|                        | Degree of protection NEMA/UL             | NEMA 2  |
|                        | Enclosure                                | UL Enclosure Type 2   |
|                        | EMC                                      | CE according to 2014/30/EU  |
|                        | Low voltage directive                    | CE according to 2014/35/EU  |
|                        | Certification IEC/EN                     | IEC/EN 60730-1 and IEC/EN 60730-2-14                                |

**Technical data**

|                    |  |   |
|--------------------|--|---|
| <b>Safety data</b> | UL Approval                            | cULus according to UL60730-1A, UL60730-2-14 and CAN/CSA E60730-1<br>The UL marking on the actuator depends on the production site, the device is UL-compliant in any case |
|                    | PWIS/LABS-conformity                   | According to VDMA 24364 (test class C1)<br>Approved for use in zone II<br>Cleaning with low-pressure plasma treatment   |
|                    | Hygiene test                           | According to VDI 6022 Part 1 / SWKI VA 104-01, cleanable and disinfectable, low emission  |
|                    | Type of action                         | Type 1.AA.B   |
|                    | Rated impulse voltage supply / control | 0.8 kV  |
|                    | Rated impulse voltage auxiliary switch | 2.5 kV  |
|                    | Pollution degree                       | 3   |
|                    | Ambient humidity                       | Max. 95% RH, non-condensing   |
|                    | Ambient temperature                    | -30...50°C [-22...122°F]  |
|                    | Storage temperature                    | -10...40°C [14...104°F]   |
|                    | Servicing                              | maintenance-free  |
| <b>Weight</b>      | Weight                                 | 2.3 kg  |

**Safety notes**


- This device has been designed for use in stationary heating, ventilation and air-conditioning systems and must not be used outside the specified field of application, especially in aircraft or in any other airborne means of transport.
- Outdoor application: only possible in case that no (sea) water, snow, ice, insolation or aggressive gases interfere directly with the device and that it is ensured that the ambient conditions remain within the thresholds according to the data sheet at any time.
- Only authorised specialists may carry out installation. All applicable legal or institutional installation regulations must be complied with during installation.
- The device may only be opened at the manufacturer's site. It does not contain any parts that can be replaced or repaired by the user.
- Cables must not be removed from the device.
- To calculate the torque required, the specifications supplied by the damper manufacturers concerning the cross-section and the design, as well as the installation situation and the ventilation conditions must be observed.
- The device contains electrical and electronic components and must not be disposed of as household refuse. All locally valid regulations and requirements must be observed.
- The two switches integrated in the actuator are to be operated either on power supply voltage or at safety extra-low voltage. The combination power supply voltage/safety extra-low voltage is not permitted.
- PWIS/LABS-conformity is guaranteed as long as the packaging is unopened. Once the PWIS/LABS-compliant packaging has been opened, the proper handling of the products is the responsibility of the customer. PWIS/LABS-conformity of unopened products is guaranteed for a period of one year after cleaning, provided they are handled properly, professionally and cleanly. Proof of proper, professional and clean handling is the responsibility of the purchaser. Ensure that the required cleanliness of the products is maintained. Do not touch the products with bare hands. Belimo accepts no liability for the consequences resulting from the contamination of a product caused by the customer.

**Product features**

|                                     |   |
|-------------------------------------|---|
| <b>Operating mode</b>               | The actuator moves the damper to the operating position at the same time as tensioning the return spring. The damper is turned back to the fail-safe position by spring force when the supply voltage is interrupted. |
| <b>Simple direct mounting</b>       | Simple direct mounting on the damper shaft with a universal shaft clamp, supplied with an anti-rotation device to prevent the actuator from rotating.   |
| <b>Manual override</b>              | By using the hand crank the damper can be actuated manually and engaged with the locking switch at any position. Unlocking is carried out manually or automatically by applying the operating voltage.                |
| <b>Adjustable angle of rotation</b> | Adjustable angle of rotation with mechanical end stops.   |
| <b>Flexible signalling</b>          | The actuator has one auxiliary switch with a fixed setting and one adjustable auxiliary switch. They permit a 10% or 11...100% angle of rotation to be signaled.  |

**Accessories**

| Electrical accessories | Description  | Type       |
|------------------------|--|------------|
|                        | Auxiliary switch 2x SPDT   | S2A-F      |
|                        | Feedback potentiometer 1 kΩ  | P1000A-F   |
| Mechanical accessories | Description  | Type       |
|                        | Shaft extension 240 mm ø20 mm for damper shaft ø8...22.7 mm                            | AV8-25     |
|                        | End stop indicator   | IND-AFB    |
|                        | Shaft clamp reversible, for central mounting, for damper shafts ø12.7 / 19.0 / 25.4 mm | K7-2       |
|                        | Ball joint suitable for damper crank arm KH8 / KH10                                    | KG10A      |
|                        | Ball joint suitable for damper crank arm KH8   | KG8        |
|                        | Damper crank arm Slot width 8.2 mm, clamping range ø10...18 mm                         | KH8        |
|                        | Actuator arm, for 3/4" shafts, clamping range ø10...22 mm, Slot width 8.2 mm           | KH-AFB     |
|                        | Form fit insert 10x10 mm, Multipack 20 pcs.  | ZF10-NSA-F |
|                        | Form fit insert 12x12 mm, Multipack 20 pcs.  | ZF12-NSA-F |
|                        | Form fit insert 15x15 mm, Multipack 20 pcs.  | ZF15-NSA-F |
|                        | Form fit insert 16x16 mm, Multipack 20 pcs.  | ZF16-NSA-F |
|                        | Mounting kit for linkage operation for flat and side installation                      | ZG-AFB     |
|                        | Baseplate extension  | Z-SF       |
|                        | Anti-rotation mechanism 230 mm, Multipack 20 pcs.                                      | Z-ARS230L  |
|                        | Hand crank 63 mm   | ZKN2-B     |

**Electrical installation**


**Supply from isolating transformer.**

**Parallel connection of other actuators possible. Observe the performance data.**

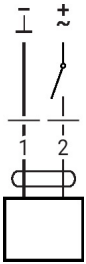
**Wire colours:**

- 1 = black
- 2 = red
- S1 = violet
- S2 = red
- S3 = white
- S4 = orange
- S5 = pink
- S6 = grey

Electrical installation

Wiring diagrams

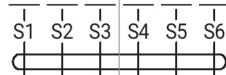
AC/DC 24 V, open/close



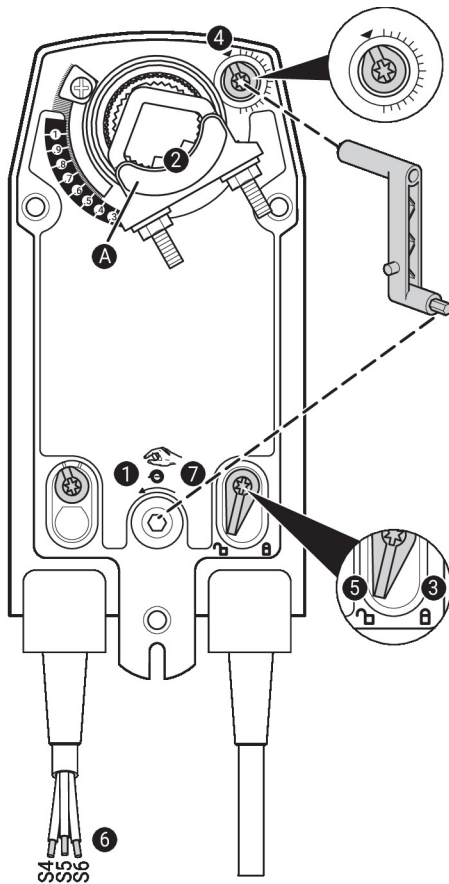
Auxiliary switch

230 V  $\checkmark$  230 V  
24 V  $\checkmark$  24 V

~~230 V + 24 V~~  
~~24 V + 230 V~~



Operating controls and indicators



Auxiliary switch settings

**⚠ Note:** Perform settings on the actuator only in deenergised state.

For the auxiliary switch position settings, carry out points 1 to 7 successively.

- 1 Manual override**  
Turn the hand crank until the desired switching position is set.
- 2 Shaft clamp**  
Edge line **A** displays the desired switching position of the actuator on the scale.
- 3 Fasten the locking device**  
Turn the locking switch to the „Locked padlock“ symbol.
- 4 Auxiliary switch**  
Turn rotary knob until the notch points to the arrow symbol.
- 5 Unlock the locking device**  
Turn the locking switch to the „Unlocked padlock“ symbol or unlock with the hand crank.
- 6 Cable**  
Connect continuity tester to S4 + S5 or to S4 + S6.
- 7 Manual override**  
Turn the hand crank until the desired switching position is set and check whether the continuity tester shows the switching point.

## Dimensions

## Spindle length

|  |         |
|--|---------|
|  | Min. 85 |
|  | Min. 15 |

## Clamping range

|  |           |         |           |
|--|-----------|---------|-----------|
|  |           |         |           |
|  | 10...22   | 10      | 14...25.4 |
|  |           |         |           |
|  | 19...25.4 | 12...18 |           |

