

**Auxiliary switch grey for globe valve actuators**

- two switches (SPDT)
- Adjustable switching point


**Technical data**

<b>Electrical data</b>	Auxiliary switch	2 x SPDT, 0...100%, adjustable
	Switching capacity auxiliary switch	1 mA...3 A (0.5 A inductive), DC 5 V...AC 250 V / 1 mA...0.5 A (0.2 A inductive; L/R = 3.4 ms), DC 5 V...DC 110 V
	Connection auxiliary switch	Cable 1 m, 6 x 0.75 mm <sup>2</sup>
<b>Safety data</b>	Protection class IEC/EN	II, reinforced insulation
	Protection class UL	II, reinforced insulation
	Degree of protection IEC/EN	IP54
	Degree of protection NEMA/UL	NEMA 2
	Enclosure	UL Enclosure Type 2
	EMC	CE according to 2014/30/EU
	Low voltage directive	CE according to 2014/35/EU
	Certification IEC/EN	IEC/EN 60730-1 and IEC/EN 60730-2-14
	UL Approval	cULus according to UL60730-1A, UL60730-2-14 and CAN/CSA E60730-1
	Type of action	Type 1.B
	Rated impulse voltage auxiliary switch	4 kV
	Pollution degree	3
	Ambient humidity	Max. 95% RH, non-condensing
Ambient temperature	0...50°C [32...122°F]	
Storage temperature	-40...80°C [-40...176°F]	
Servicing	maintenance-free	
<b>Weight</b>	Weight	0.23 kg
	<b>Housing colours</b>	
	Housing cover	grey
	Housing base	grey

**Safety notes**

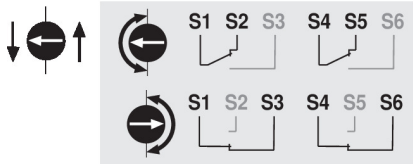
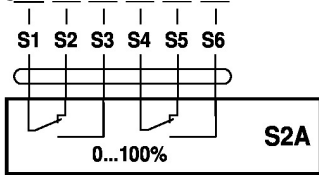

- The device must not be used outside the specified field of application, especially not in aircraft or in any other airborne means of transport.
- Outdoor application: only possible in case that no (sea) water, snow, ice, insulation or aggressive gases interfere directly with the device and that it is ensured that the ambient conditions remain within the thresholds according to the data sheet at any time.
- Only authorised specialists may carry out installation. All applicable legal or institutional installation regulations must be complied during installation.
- The device may only be opened at the manufacturer's site. It does not contain any parts that can be replaced or repaired by the user.
- Cables must not be removed from the device.
- The device contains electrical and electronic components and must not be disposed of as household refuse. All locally valid regulations and requirements must be observed.

Product features

- Mode of operation** A gear wheel engages with a form-fit grip in the globe valve actuator and transfers the position directly to the microswitch trip cam.  
 Switching points can be freely selected with an adjustment dial. The current switch position can be read off at any time.
- Application** The S2A-H auxiliary switch is used for signaling the position or for exercising switching functions in any given stroke position.
- Simple direct mounting** The auxiliary switch is mounted directly to the globe valve actuator.

Electrical installation

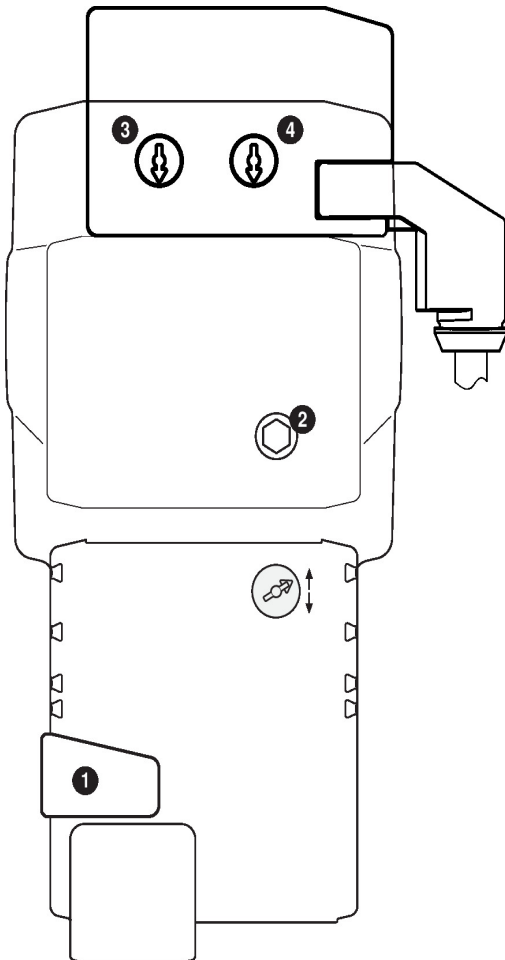
Wiring diagrams



Cable colours:

- S1 = violet
- S2 = red
- S3 = white
- S4 = orange
- S5 = pink
- S6 = grey

Operating controls and indicators



Auxiliary switch settings

**⚠ Note:** Perform settings on the auxiliary switch only in deenergised state.

For the auxiliary switch position settings, carry out points 1 to 3 successively.

- Manual override button**  
 Holding button pressed down (or fix): Gear train disengages. Manual override is possible.
- Manual override**  
 Position the spindle of the actuator via manual override 2 into the desired switching position of the auxiliary switch.  
  
 Clockwise: Actuator stem extends  
 Counterclockwise: Actuator stem retracts
- Auxiliary switch - 1**  
 Turn rotary knob until the arrow points to the vertical line. Move the spindle position via manual override 2 and consider the arrow direction of the auxiliary switch rotary knob at the same time. The arrow direction always indicates the switching position (S1-S2 or S1-S3). If the auxiliary switch should switch in the opposite direction, rotate the auxiliary switch rotary knob by 180°. Alternatively the switching position can be checked with a continuity tester on the cable of the auxiliary switch. Release (or disengage) button 1.
- Auxiliary switch - 2**  
 Same procedure as for auxiliary switch 1 (step 1 to 3).

## Dimensions

