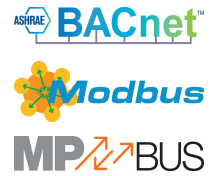


VAV-Compact unit – with VAV controller, static Ap sensor (membrane) and damper actuator

- Field of application: VAV units in comfort applications or ventilation systems with contaminated air
- Application: VAV/CAV, position control
- Belimo M1, static diaphragm sensor
- Functional range differential pressure 0...600 Pa
- Control communicative, hybrid, modulating (0/2...10 V)
- Communication via BACnet MS/TP, Modbus RTU or Belimo MP-Bus
- Conversion of sensor signals
- Service socket for operating devices



### Technical data

<b>Electrical data</b>	Nominal voltage	AC/DC 24 V
	Nominal voltage frequency	50/60 Hz
	Nominal voltage range	AC 19.2...28.8 V / DC 21.6...28.8 V
	Power consumption in operation	3 W
	Power consumption in rest position	1.5 W
	Power consumption for wire sizing	5 VA
	Power consumption for wire sizing note	$I_{max} 8 A @ 5 ms$
	Connection supply / control	Cable 1 m, 6x 0.75 mm <sup>2</sup>
<b>Data bus communication</b>	Communicative control	BACnet MS/TP Modbus RTU (factory setting) MP-Bus
	Number of nodes	BACnet / Modbus see interface description MP-Bus max. 8
<b>Functional data</b>	Torque motor	10 Nm
	Operating range Y	2...10 V
	Input impedance	100 kΩ
	Operating range Y variable	0...10 V
	Position feedback U	2...10 V
	Position feedback U note	Max. 1 mA
	Position feedback U variable	Start point 0...8 V End point 2...10 V
	V'max adjustable	20...100% of V'nom
	V'mid adjustable	>V'min...<V'max
	V'min adjustable	0...100% of V'nom (<V'max)
	Manual override	with push-button, can be locked
	Angle of rotation	95°
	Angle of rotation note	adjustable mechanical or electrical limitation
	Mechanical interface	Universal shaft clamp 8...26.7 mm
Position indication	Mechanical	
<b>Measuring data</b>	Measuring principle	Belimo M1, static diaphragm sensor
	Installation orientation	position-independent, no zeroing necessary
	Functional range differential pressure	0...600 Pa
	Maximum system pressure	1500 Pa

**Technical data**

<b>Measuring data</b>	Burst pressure	±7 kPa
	Height compensation	Adjustment of system height (range 0...3000 m above sea level)
	Condition measuring air	0...50°C / 5...95% RH, non-condensing
	Pressure tube connection	Nipple diameter 5.3 mm
<b>Safety data</b>	Protection class IEC/EN	III, Protective Extra-Low Voltage (PELV)
	Degree of protection IEC/EN	IP54
	Degree of protection NEMA/UL	NEMA 2
	Housing	UL Enclosure Type 2
	EMC	CE according to 2014/30/EU
	Certification IEC/EN	IEC/EN 60730-1 and IEC/EN 60730-2-14
	Type of action	Type 1
	Rated impulse voltage supply / control	0.8 kV
	Pollution degree	3
	Ambient humidity	Max. 95% RH, non-condensing
	Ambient temperature	0...50°C [32...122°F]
	Storage temperature	-20...80°C [-4...176°F]
	Servicing	maintenance-free
<b>Weight</b>	Weight	0.83 kg

**Safety notes**


- The device must not be used outside the specified field of application, especially not in aircraft or in any other airborne means of transport.
- Outdoor application: only possible in case that no (sea) water, snow, ice, insolation or aggressive gases interfere directly with the device and that it is ensured that the ambient conditions remain within the thresholds according to the data sheet at any time.
- Only authorised specialists may carry out installation. All applicable legal or institutional installation regulations must be complied with during installation.
- The device may only be opened at the manufacturer's site. It does not contain any parts that can be replaced or repaired by the user.
- Cables must not be removed from the device.
- The device contains electrical and electronic components and must not be disposed of as household refuse. All locally valid regulations and requirements must be observed.

**Product features**

**Application** The VAV-Compact unit is used for both comfort applications and sensitive operating ranges with contaminated media for pressure-independent control of VAV units. See Technical brochure – VAV-Compact product range for volumetric flow applications.

**Pressure measurement**

The integrated M1 differential pressure sensor is also suitable for very small volumetric flows. The maintenance-free sensor technology enables a wide range of applications in the HVAC comfort area such as in residential buildings, offices, hotels, etc.

**Actuators**

For the various applications and damper designs, various actuator variants with torque 5 or 10 Nm are available to the VAV unit manufacturer.

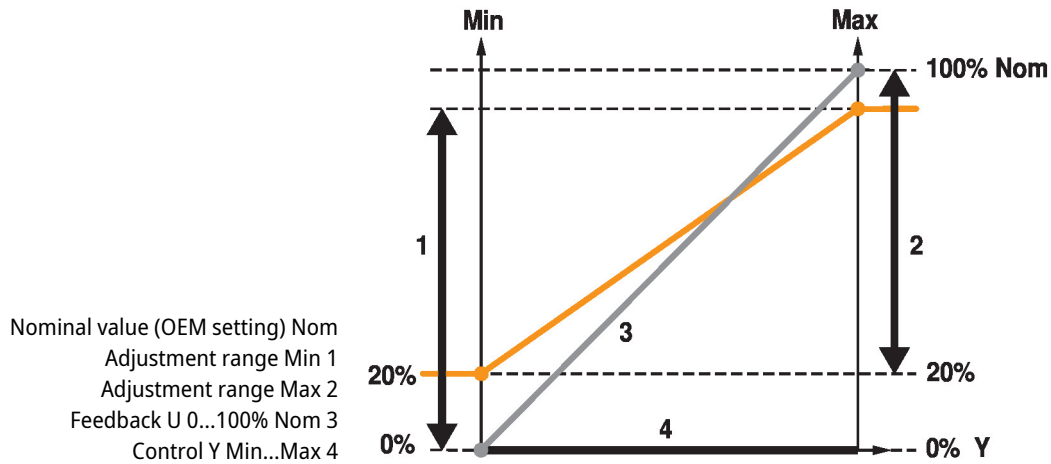
**Control functions**

Volumetric flow (VAV/CAV) or position control (Open Loop)

<b>Application Variable Air Volume (VAV)</b>	<p>Variable air volume control in the V'min...V'max range, demand-dependent via a modulating reference variable (analogue or bus), e.g. room temperature or CO<sub>2</sub> controller for energy-saving air conditioning of individual rooms or zones.</p> <p>V'nom, Δp @ V'nom</p> <p>Calibration parameters, suitable for the VAV unit or the differential pressure pickup device used</p> <p>Adjustment range Δp @ V'nom: 38...500 Pa</p> <p>V'max (Max)</p> <p>Maximum operating volumetric flow, adjustable 20...100% V'nom</p> <p>V'min (Min)</p> <p>Minimum operating volumetric flow, adjustable 0...100% V'nom</p>
<b>Application Constant Air Volume (CAV)</b>	<p>Constant volumetric flow control. If required, via step switching (switching contacts) for constant volumetric flow applications.</p> <p>Steps: CLOSE / Min / Max / OPEN</p>
<b>Application Position Control (Open Loop)</b>	<p>Position control for integration of the VAV-Compact into an external VAV control loop. Transmitter and actuator unit.</p> <p>Max</p> <p>Range: 20...100 % rotation range</p> <p>Min</p> <p>Range: 0...100 % rotation range</p>
<b>Demand Controlled Ventilation (DCV)</b>	<p>Output of the demand signal (damper position) to the higher-level automation system – DCV function.</p>
<b>Parametrisable actuators</b>	<p>The factory settings cover the most common applications. Single parameters can be modified with Belimo Assistant 2 or ZTH EU.</p> <p>The communication parameters of the bus systems (address, baud rate etc.) are set with the ZTH EU. Pressing the "Address" button on the actuator while connecting the supply voltage resets the communication parameters to the factory setting.</p> <p>Quick addressing: The BACnet and Modbus address can alternatively be set using the buttons on the actuator and selecting 1...16. The selected value is added to the "basic address" parameter and results in the absolute BACnet and Modbus address.</p>
<b>Bus operation</b>	<p>Thanks to its multi-bus functionality, the VAV-Compact can be easily integrated into a bus system. The communication interface is defined on the system using the service tool ZTH EU: BACnet MS/TP, Modbus RTU, Belimo MP-Bus.</p> <p>A hybrid mode is optionally available for BACnet MS/TP and Modbus RTU, bus connection combined with analogue control.</p> <p>In bus mode, a sensor (0...10 V) can optionally be connected, e.g. a temperature sensor or a switching contact, for integration into the higher-level bus system.</p>

Product features

**Operating settings** Control functions  
 Volumetric flow (VAV/CAV) or position control (Open Loop)  
 Operating settings Min/Max/Nom



**Operating and service tools** Belimo Assistant 2 ZTH EU – can be locally plugged into the service socket or remotely via MP connection.

**High functional reliability** The actuator is overload protected, requires no limit switches and automatically stops when the end stop is reached.

Accessories

Tools	Description	Type
	Service tool, with ZIP-USB function, for parametrisable and communicative Belimo actuators, VAV controller and HVAC performance devices	ZTH EU
	Service tool for wired and wireless setup, on-site operation, and troubleshooting.	Belimo Assistant 2
Electrical accessories	Description	Type
	Connecting cable 5 m, A: RJ11 6/4 ZTH EU, B: 6-pin for connection to service socket	ZK1-GEN
	Connecting cable 5 m, A: RJ11 6/4 ZTH EU, B: free wire end for connection to MP/PP terminal	ZK2-GEN

Electrical installation



Supply from isolating transformer.

The wiring of the line for BACnet MS/TP / Modbus RTU is to be carried out in accordance with applicable RS-485 regulations.

Modbus / BACnet: Supply and communication are not galvanically isolated. COM and ground of the devices must be connected to each other.

Wire colours:

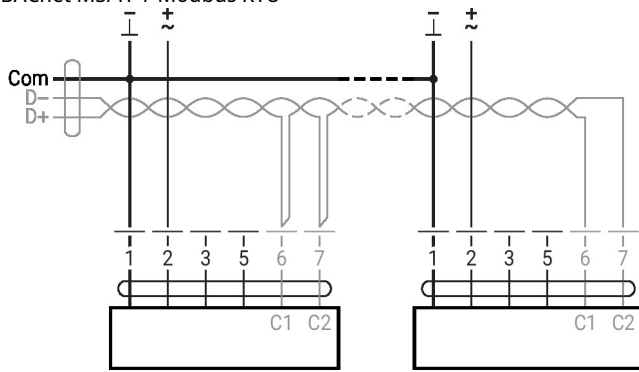
- 1 = black
- 2 = red
- 3 = white
- 5 = orange
- 6 = pink
- 7 = grey

Functions:

- C1 = D- = A (wire 6)
- C2 = D+ = B (wire 7)

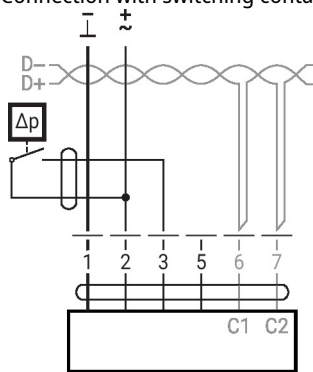
**Electrical installation**

BACnet MS/TP / Modbus RTU



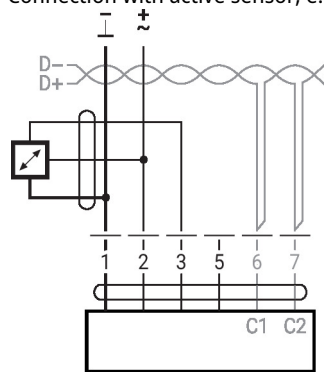
**Converter for sensors**

Connection with switching contact, e.g.  $\Delta p$  monitor



Switching contact requirements:  
The switching contact must be able to switch a current of 16 mA at 24 V accurately.

Connection with active sensor, e.g. 0...10 V @ 0...50°C

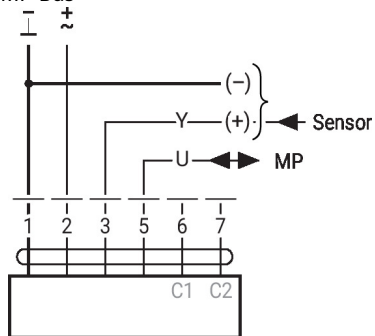


Possible voltage range: 0...32 V  
Resolution 30 mV

**Further electrical installations**

**MP-Bus**

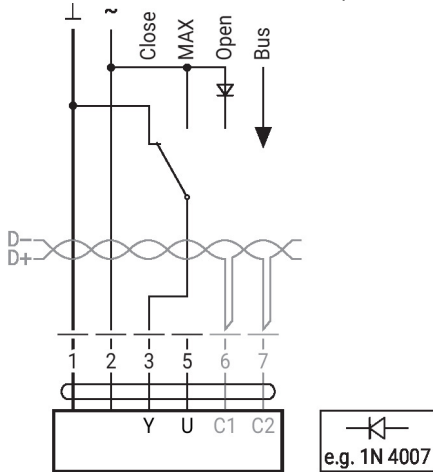
MP-Bus



**Further electrical installations**

**Functions with specific parameters (Parametrisation necessary)**

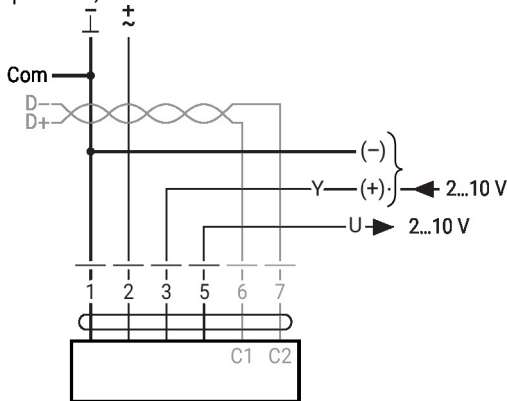
Local override control with AC 24 V (Bus mode)



**Note:**

The local override control only works with AC 24 V supply.

Modbus RTU / BACnet MS/TP with analogue setpoint (hybrid operation)



## Parameter and tool overview

## Settings and tool functions

Designation	Setting values, limits, explanations	Units	Tool		Remarks
			ZTH EU	P.C.-Tool	
<b>System-specific data</b>					
Position	16 characters, e.g. office 4 6th floor SUP	String	r	r/w	
Designation	16 characters: unit designation etc.	String	r	r/w	
Modbus address	1...247		r/w	–	Modbus addressing
Address (MP)	PP		r/w	r/w	For Modbus applications: PP
$V'_{max}$	20...100% [ $V'_{nom}$ ]	m <sup>3</sup> /h / l/s / cfm	r/w	r/w	$>= V'_{min}$
$V'_{mid}$	$V'_{min} \dots V'_{max}$	m <sup>3</sup> /h / l/s / cfm	r/w	r/w	
$V'_{min}$	0...100% [ $V'_{nom}$ ]	m <sup>3</sup> /h / l/s / cfm	r/w	r/w	$<= V'_{max}$
Altitude of installation	0...3000	m	r/w	r/w	Adaptation of $\Delta p$ sensor to altitude (meters above sea level)
<b>Controller settings</b>					
Control function	Volumetric flow / Position control (Open Loop)		–	–	
Mode	0...10 / 2...10	V	r/w <sup>2)</sup>	r/w	For Modbus applications: 2...10
CAV function <sup>2)</sup>	CLOSE/ $V'_{min}/V'_{max}$ : shut-off level CLOSE 0.1 CLOSE/ $V'_{min}/V'_{max}$ : shut-off level CLOSE 0.5 $V'_{min}/V'_{mid}/V'_{max}$ : (NMV-D2M-comp.)		–	r/w	For analogue control only
Positioning signal Y	Start value: 0...8; stop value: 2...10	V	r	r/w	For analogue control only
Feedback U	Volume / damper position / $\Delta p$		–	r/w	For analogue feedback
Feedback U	Start value: 0...8; stop value: 2...10	V	–	r/w	For analogue feedback
Behaviour when switched on (Power-on)	No action / adaptation / synchronisation		–	r/w	
Synchronisation behaviour	Y=0% Y=100%		–	r/w	Synchronisation at damper position 0 or 100%
Bus fail position	Last setpoint / damper CLOSE $V'_{min} / V'_{max}$ / damper OPEN		–	r/w	
<b>Unit-specific settings</b>					
$V'_{nom}$	0...60'000 m <sup>3</sup> /h	m <sup>3</sup> /h / l/s / cfm	r	r/(w) <sup>1)</sup>	Unit-specific setting value
$\Delta p@V'_{nom}$	38...500	Pa	r	r/(w) <sup>1)</sup>	Unit-specific setting value
Direction of rotation (for Y=100%)	cw/ccw		r/w <sup>2)</sup>	r/w	Unit-specific setting value
Range of rotation	Adapted <sup>4)</sup> / programmed 30...95	°	–	r/w	
Torque	100 / 75 / 50 / 25	%		r/w	% of nominal torque

<sup>1)</sup> Write function accessible only for VAV manufacturers

<sup>2)</sup> Access only via servicing level 2

<sup>3)</sup> Within the mechanical limitation

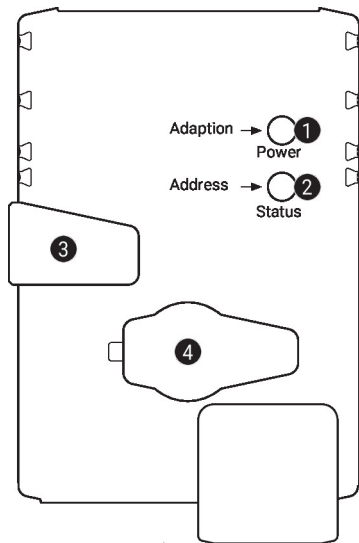
<sup>4)</sup> The first time the supply voltage is switched on, i.e. at the time of initial commissioning, the actuator carries out an adaption, which is when the operating range and position feedback adjust themselves to the mechanical setting range. The actuator then moves into the required position in order to ensure the volumetric flow defined by the control signal.

## Parameter and tool overview

**Settings and tool functions**

Designation	Setting values, limits, explanations	Units	Tool		Remarks
			ZTH EU	PC-Tool	
<b>Operating data</b>					
Setpoint / Actual value		m <sup>3</sup> /h / l/s / cfm	r	r	T (trend) display with print function and data saving to HD
Damper position		Pa / %		T	
Simulation	Damper OPEN/CLOSE V'min / V'mid / V'max / Motor Stop		w	w	
Running times	Operating time, running time Ratio (relation)		-	r	
Alarm messages	Setting range enlarged, mech. overload, Stop&Go ratio too high		-	r/w	
Serial number	Device ID		r	r	Incl. production date
Type	Type designation		r	r	
Version display	Firmware, config. table ID		r	r	
<b>Configuration data</b>					
Print, send			-	yes	
Backup in file			-	yes	
Log data / Logbook	Activities log		-	yes	



**Operating controls and indicators**

**1 Push-button and LED display green**

- Off: No power supply or malfunction
- On: In operation
- Press button: In standard mode: Triggers angle of rotation adaptation  
In address mode: Confirms set address (1...16)
- Flashing: In address mode: Pulses corresponding to the set address (1...16)  
When starting: Resets to factory setting (communication)

**2 Push-button and LED display yellow**

- Off: Standard mode
- On: Adaptation or synchronisation process active  
Or actuator in address mode (LED display flashing)
- Flickering: BACnet/Modbus communication active
- Press button: In operation (>3 s): Switches address mode on and off  
In address mode: Sets address by pressing several times  
When starting (>5 s): Resets to factory setting (communication)

**3 Manual override button**

- Press button: Gear train disengages, motor stops, manual override possible
- Release button: Gear train engages, synchronisation starts, standard mode

**4 Service plug**

For connecting parametrisation and service tools

**Check supply 24 V**

- 1 Off and 2 On Possible wiring error in power supply

**Installation notes**
**Installation situation**

Mounting VAV-Compact control equipment:

The VAV-Compact is assembled, set and calibrated on the VAV unit in the factory by the VAV unit manufacturer.

Installation of the VAV unit:

The VAV unit must be installed according to the specifications of the VAV unit manufacturer.

Installation specification  $\Delta p$  sensor:

No restrictions, but it must be avoided that any condensation can run into the sensor and remain there.

Accessibility of control equipment:

Accessibility to the control equipment must be guaranteed at all times.

Pressure tube connections:

The pressure tube connections must not come into contact with liquids or greasing agents of any kind, this includes any residue inside or on the surface of the pressure tubes.

Installation notes

**Servicing** Cleaning work during installation, commissioning or maintenance

Belimo VAV devices are maintenance-free. We recommend dry removal of dust from the outside of the housing if necessary.

The duct system and the VAV units are maintained on the occasion of the cleaning intervals required by law or by the specific system. Please observe the following points.

Cleaning work on the damper, differential pressure pickup devices and pressure tubes

When cleaning the duct system or the VAV unit, remove the pressure tubes on the VAV controller so that it will not be affected.

Using compressed air, e.g. blowing out the differential pressure pickup devices or pressure tubes

Before doing this work, disconnect the differential pressure pickup devices or pressure tubes from the differential pressure sensor.

Connecting the pressure tubes

To ensure the correct installation of the pressure tubes, we recommend marking them with + or - before disassembly.

Service

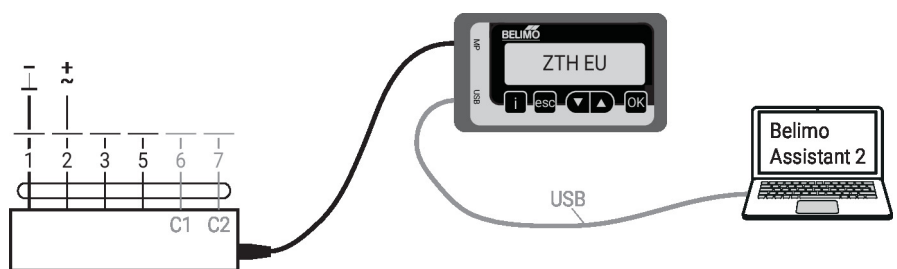
**Quick addressing** BACnet MS/TP – Modbus RTU

1. Press the "Address" button until the green "Power" LED is no longer illuminated. The green "Power" LED flashes in accordance with the previously set address.
2. Set the address by pressing the "Address" button the corresponding number of times (1...16).
3. The green LED flashes in accordance with the address that has been entered (1...16). If the address is not correct, it can be reset in accordance with step 2.
4. Confirm the address setting by pressing the green "Adaptation" button.

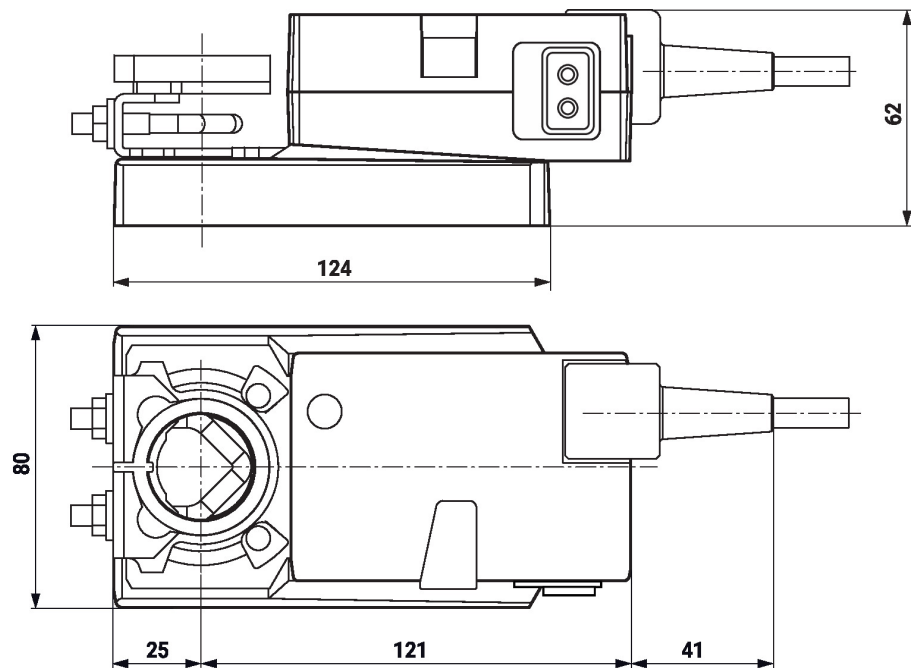
If the address is not confirmed within 60 seconds, the address procedure will be ended. Any address change that has already been started will be discarded.

The resulting BACnet MS/TP and Modbus RTU address is made up of the set basic address plus the short address (e.g. 100+7=107).

**Wired connection** Setting and diagnostics of the VAV-Compact can be carried out quickly and easily with Belimo Assistant 2 or the ZTH EU service tool. When the PC-Tool is used, the ZTH EU acts as the interface converter.



## Dimensions



## Further documentation

- VAV-Compact product range for comfort applications
- Tool connections
- BACnet Interface description
- Modbus Interface description
- Overview MP Cooperation Partners
- Introduction to MP-Bus Technology
- VAV-Universal application description
- Volumetric flow and pressure control from Belimo, product range overview
- Quick Guide – Belimo Assistant 2