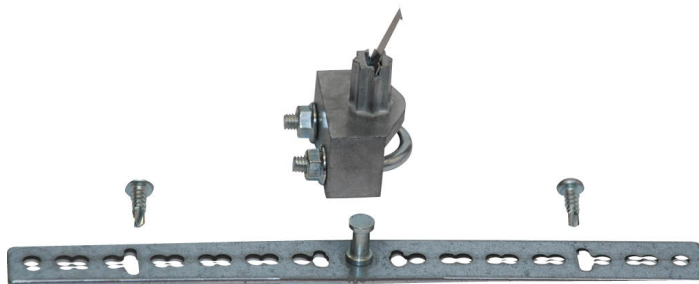


Shaft clamp

- for TM/LM..A.-F.. with form fit 8x8 mm
- clamping range $\varnothing 8 \dots 12$ mm
- for damper shafts L 13...30 mm
- clamping range $\varnothing 8 \dots 12$ mm
- incl. anti-rotation mechanism 180 mm and 2 screws


Technical data

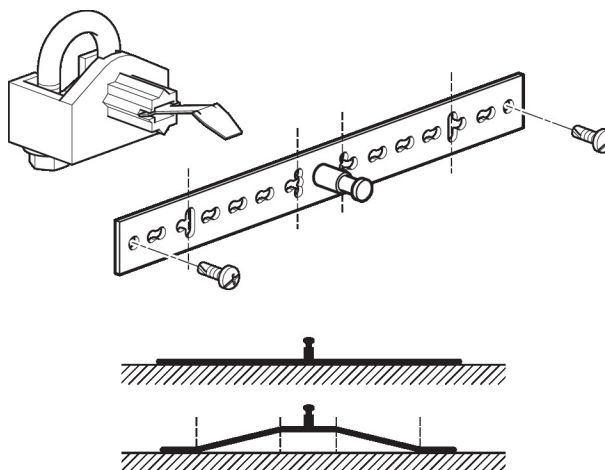
| | | |
|---------------|--------|---------|
| Weight | Weight | 0.11 kg |
|---------------|--------|---------|

Safety notes


- This accessory has been designed for use in stationary heating, ventilation and air-conditioning systems and must not be used outside the specified field of application, especially in aircraft or in any other airborne means of transport.
- Only authorised specialists may carry out installation. All applicable legal or institutional installation regulations must be complied with during installation.
- The accessory may not be disposed of as household refuse. All locally valid regulations and requirements must be observed.

Product features

Used materials Die cast zinc
Galvanised steel

Application


Dimensions

