

Stainless steel globe valve, 2-way, Internal thread

- For open and closed cold and warm water systems
- For modulating control of air-handling and heating systems on the water side



Type overview

Type	DN	Rp ["]	Kvs [m ³ /h]	Stroke	PN	n(gl)	Sv min.
H215S-G	15	1/2	1.6	10 mm	25	3	100
H215S-J	15	1/2	4.0	10 mm	25	3	100
H220S-K	20	3/4	6.3	10 mm	25	3	100
H225S-L	25	1	10	15 mm	25	3	100
H232S-M	32	1 1/4	16	20 mm	25	3	100
H240S-N	40	1 1/2	25	20 mm	25	3	100
H250S-P	50	2	40	20 mm	25	3	100

Technical data

Functional data	Fluid	Cold, warm and hot water, water with glycol up to max. 50% vol.
	Fluid temperature	0...130°C [32...266°F]
	Flow characteristic	equal percentage (VDI/VDE 2173), optimised in the opening range
	Leakage rate	max. 0.01% of the Kvs value
	Closing point	Top (▲)
	Pipe connection	Internal thread according to ISO 7-1
	Installation orientation	upright to horizontal (in relation to the stem)
	Servicing	maintenance-free
	Materials	Valve body
Closing element		Stainless steel AISI 304
Spindle		Stainless steel AISI 304
Spindle seal		PTFE+FFKM
Seat		Stainless steel AISI 304

Safety notes



- The valve has been designed for use in stationary heating, ventilation and air-conditioning systems and must not be used outside the specified field of application, especially in aircraft or in any other airborne means of transport.
- Only authorised specialists may carry out installation. All applicable legal or institutional installation regulations must be complied with during installation.
- The valve does not contain any parts that can be replaced or repaired by the user.
- The valve may not be disposed of as household refuse. All locally valid regulations and requirements must be observed.
- When determining the flow rate characteristic of controlled devices, the recognised directives must be observed.

Product features

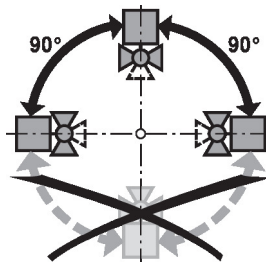
- Operating mode** The globe valve is adjusted by a globe valve actuator. The actuators are connected by a commercially available modulating or 3-point control system and move the valve cone, which acts as a throttling device, into the opening position dictated by the control signal.
- Flow characteristic** An equal percentage flow characteristic is produced by the profile of the valve cone.
- Fluid velocity** Standard values for low-noise operation in HVAC systems are fluid velocities of 1...2 m/s. At fluid velocities above 2 m/s, further flow effects like noise as well as cavitation can occur. This can reduce the service life of a valve depending on the situation.

Accessories

Electrical accessories	Description	Type
	Stem heater for LV.., NV.., SV.. actuator	ZH24-1-A

Installation notes

- Permissible installation orientation** The globe valve may be mounted upright to horizontal. It is not permissible to mount the globe valves with the stem pointing downwards.

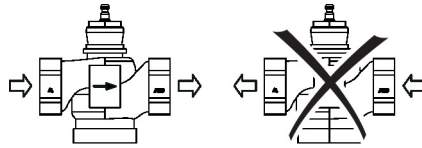


- Water quality requirements** The water quality requirements specified in VDI 2035 must be adhered to. Belimo valves are regulating devices. For the valves to function correctly in the long term, they must be kept free from particle debris (e.g. welding beads during installation work). The installation of a suitable strainer is recommended.

- Servicing** Globe valves and globe valve actuators are maintenance-free. Before any service work on the control element is carried out, it is essential to isolate the globe valve actuator from the power supply (by unplugging the electrical cables if necessary). Any pumps in the part of the piping system concerned must also be switched off and the appropriate slide valves closed (allow all components to cool down first if necessary and always reduce the system pressure to ambient pressure level). The system must not be returned to service until the globe valve and the globe valve actuator have been reassembled correctly in accordance with the instructions and the pipeline has been refilled by professionally trained personnel.


Installation notes

Flow direction The direction of flow, specified by an arrow on the housing, is to be complied with, since otherwise the valve could become damaged.



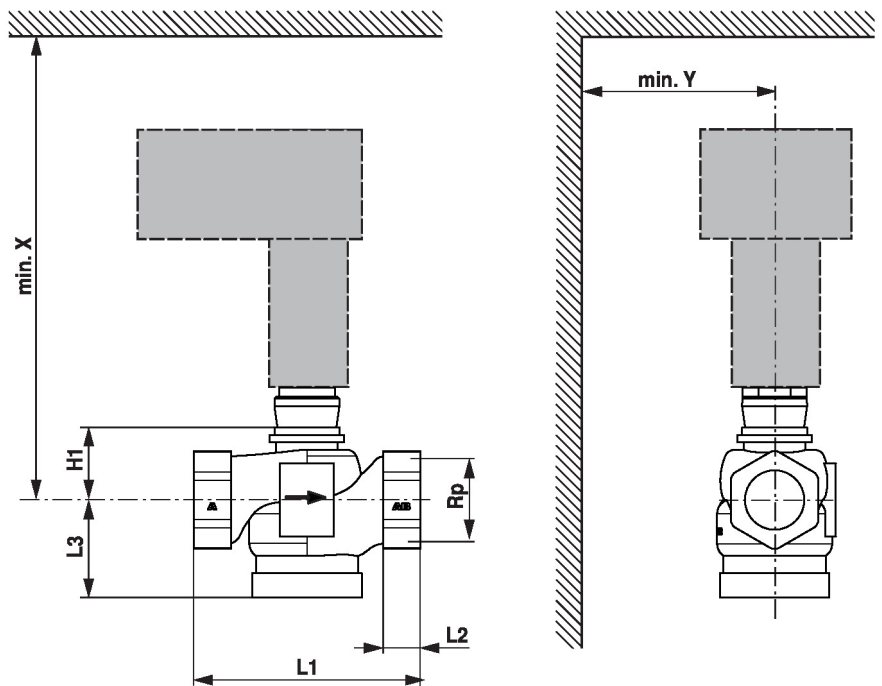
Differential and close-off pressure

The maximum differential and close-off pressure of globe valves depends on the mounted globe valve actuator. To ensure optimum operation and maximum service life, the maximum differential and close-off pressure in the table below must not be exceeded.

ps <2500 kPa (PN25) t= 0... 130°C		LV..A.. 500N		NV..A.. 1000N		SV..A.. 1500N	
	DN	Δps [kPa]	Δpmax [kPa]	Δps [kPa]	Δpmax [kPa]	Δps [kPa]	Δpmax [kPa]
H215S-G	15	650	650	800	800		
H215S-J	15	650	650	800	800		
H220S-K	20	650	650	800	800		
H225S-L	25	380	380	600	600		
H232S-M	32			550	550		
H240S-N	40			450	450	700	700
H250S-P	50			300	300	500	500


Dimensions

Dimensional drawings



X/Y: Minimum distance with respect to the valve centre.
The actuator dimensions can be found on the respective actuator data sheet.

Dimensions

Type	DN	Rp [""]	L1 [mm]	L2 [mm]	L3 [mm]	H1 [mm]	X [mm]	Y [mm]	
H215S-G	15	1/2	81	15	39	29	296	100	0.82
H215S-J	15	1/2	81	15	39	29	296	100	0.81
H220S-K	20	3/4	86	15	39	28	299	100	0.92
H225S-L	25	1	115	17	43	34.5	303	100	1.30
H232S-M	32	1 1/4	122	19	52.5	35	306	100	1.72
H240S-N	40	1 1/2	140	23	60	43	311	100	2.29
H250S-P	50	2	158	25	68	56.5	318	100	2.13

Further documentation

- Data sheets for globe valve actuators
- Installation instructions for valves and/or globe valve actuators
- Notes for project planning 2-way and 3-way globe valves