

Trade Selection by Belimo



2-way Butterfly Valves DN700...1200

For Open/Close or modulating control of cold and warm water.

Applications

Typical applications include chiller isolation, cooling tower isolation and bypass control, change-over systems.

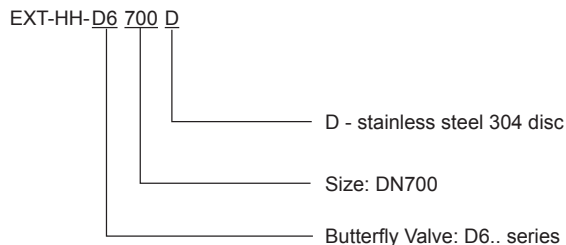


Technical data

Flow medium	SS304 disc: cold and warm water. Max. 50% Glycol
Temperature of medium	SS304 disc: Cold water and warm water -10...+120°C
Nominal pressure	1600kPa (PN16)
Leakage rate	Rate A Bubble tight (ISO 5208)
Pipe connections	ISO 7005.2 PN16 wafer (U type flange)
Max. Close-off pressure	1000kPa (DN700...1200)
Installation position	Vertical to horizontal
Maintenance	Maintenance-free
Angle of rotation	90° rotation
Valve Material	
Body	Ductile cast iron GGG40 (DN700...1200)
Disc	Stainless steel 304 disc
Seat	EPDM
Stem	Stainless steel 420

Default: D6700...1200D Butterfly Valve and its Actuator are pre-calibrated and pre-assembled in the factory.

Ordering sample



Product features

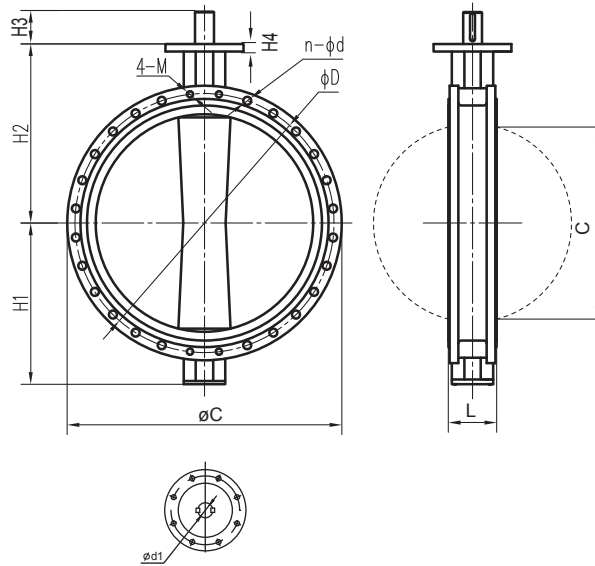
The modified equal-percentage flow characteristic and the large Kv values provide an economical control valve solution.

Mode of operation

The Butterfly Valve is operated by a Rotary Actuator. Select the actuator according to required Close-off pressure and HVAC condition of installation. The actuators are controlled by a standard Open/Close or modulating control system and rotate the disc of the valve to the position dictated by the control signal.

Manual operation

The manual operation is available by turning a handwheel of actuators.



EXT-HH-D6700D.. EXT-HH-D61200D

Dimensions of PN16 wafer connection Butterfly valves [mm]

Type	Size	L	C	øC	H1	H2	H3	H4	4-M	PN16		Weight (kg)
										øD	n-ød	
EXT-HH-D6700D	DN700	165	672	910	505	624	66	34	M33	840	20-36	303
EXT-HH-D6800D	DN800	190	770	1025	576	672	66	34	M36	950	20-39	392
EXT-HH-D6900D	DN900	203	837	1125	637	720	118	36	M36	1050	24-39	565
EXT-HH-D61000D	DN1000	216	937	1255	701	800	142	36	M39	1170	24-42	646
EXT-HH-D61200D	DN1200	276	1124	1485	844	940	160	44	M45	1390	28-48	1082

Kv Value [m³/h]

Type	Size	10%	20%	30%	40%	50%	60%	70%	80%	90%	100%
		EXT-HH-D6700D	DN700 28"	235	790	1730	3200	5510	9155	15510	26515
EXT-HH-D6800D	DN800 32"	325	1070	2300	4150	7005	11510	19235	33010	55565	84970
EXT-HH-D6900D	DN900 36"	490	1940	3990	6835	10625	16200	25820	42470	67290	97290
EXT-HH-D61000D	DN1000 40"	640	2455	4950	8325	13115	20325	31635	50900	83145	115770
EXT-HH-D61200D	DN1200 48"	875	3465	7000	11855	18780	29710	46675	74325	122315	177740

Max. Close-off Pressure ΔPs and linkage — EXT-HH-D6..D series

Typecode	EXT-HH-9032/25...	EXT-HH-9033/26...	EXT-HH-9034/27...
	Torque		
	5000Nm	10000Nm	20000Nm
	ΔPs kPa	ΔPs kPa	ΔPs kPa
EXT-HH-D6700D	1000	-	-
EXT-HH-D6800D	-	1000	-
EXT-HH-D6900D	-	-	1000
EXT-HH-D61000D	-	-	1000
EXT-HH-D61200D	-	-	1000

ΔPs = Closing pressure

UL marked actuators is optional, please contact your local Sales Representative for details.