

EXT-HH-D6..AB Series Butterfly Valves

Trade Selection by Belimo



2-way Butterfly Valves flanged
DN50...600



For Open/Close or modulating control of sea water and brine

Applications

Typical applications include large heat-exchanger.

Technical data

Flow medium	Sea water and brine
Temperature of medium	Aluminium Bronze disc: -10...+80°C
Nominal pressure	1600kPa (PN16)
Leakage rate	Rate A Bubble Tight (ISO 5208)
Pipe connections	ISO 7005.2, AS2129 PN6/10/16 for wafer (DN50...150) PN10/16, Table E for wafer (DN200...300) PN16 for wafer (DN350...600)
Max. Close-off pressure	1200kPa
Installation position	Vertical to horizontal
Maintenance	Maintenance-free
Angle of rotation	90° rotation
Valve Material	
Body	Ductile cast iron GGG40
Disc	C954
Seat	NBR
Stem	Stainless steel 420

Default: D6500...600AB Butterfly Valve and its actuator are pre-calibrated and pre-assembled in the factory.

Product features

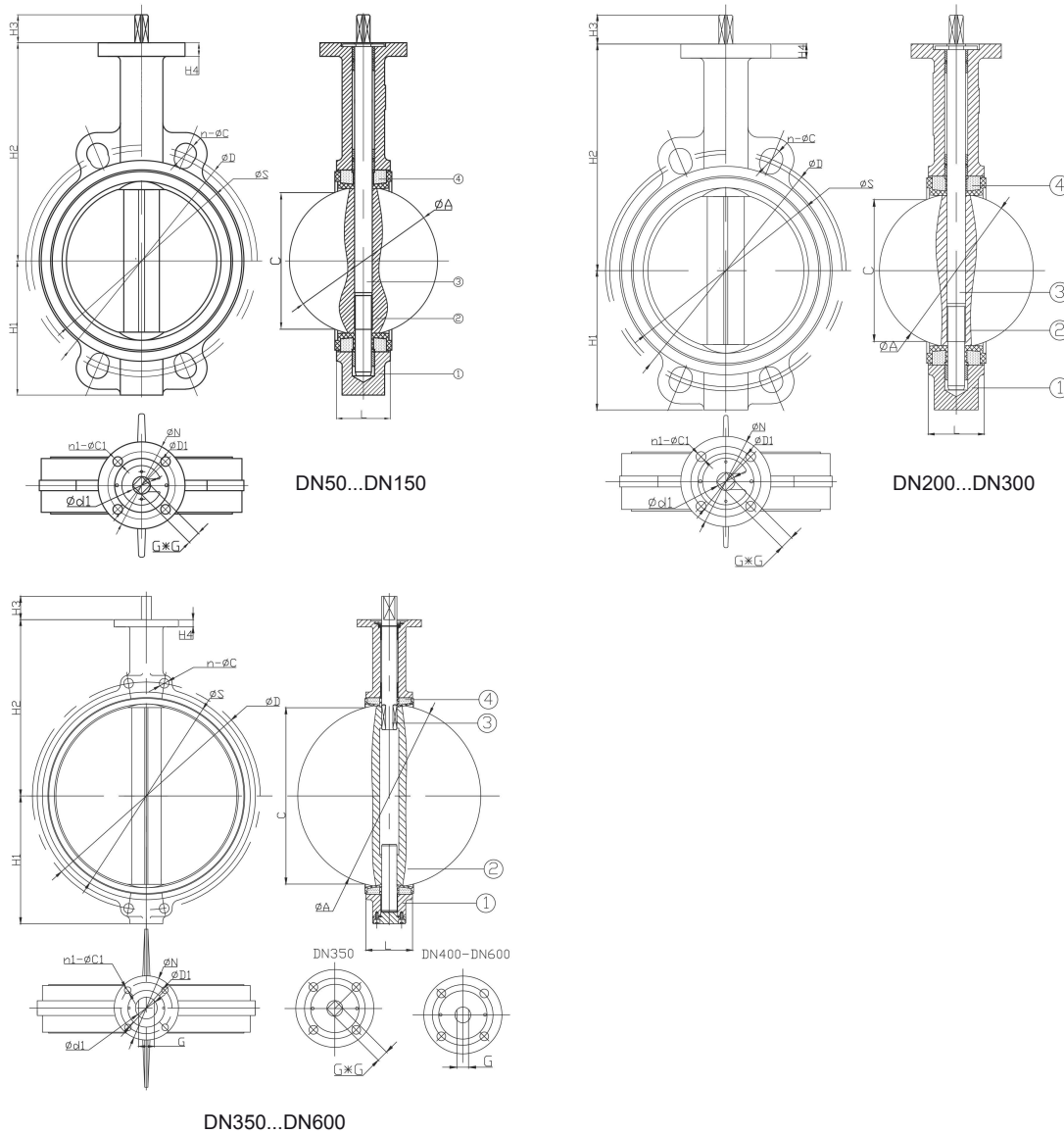
The modified equal-percentage flow characteristic and the large Kv values provide an economical control valve solution.

Mode of operation

The Butterfly Valve is operated by a Rotary Actuator. Select the actuator according to required Close-off pressure and HVAC condition of installation. The actuators are controlled by a standard Open/ Close or modulating control system and rotate the disc of the valve to the position dictated by the control signal.

Manual operation

The manual operation is available by using a lever with manual override button of SR..., GR..., DR..., PR..., SY..., EXT-HH-903.. actuator pressed or turning a handwheel of actuators.



Dimensions of PN16 wafer connection Butterfly Valve [mm]

Type	Size	Top flange	L	C	øS	H1	H2	H3	H4	G	øN	PN6		PN10		PN16		Table E		Weight (kg)
												øD	n-øC	øD	n-øC	ø D	n-ød	ø D	n-øC	
EXT-HH-D650AB	DN50	F05	43	25	89	72	133	13	11	14	65	110	4-14	125	4-19	125	4-19	-	-	2.6
EXT-HH-D665AB	DN65	F05	46	42	108	81	147	13	11	14	65	130	4-14	145	4-19	145	4-19	-	-	3.1
EXT-HH-D680AB	DN80	F05	46	62	120	96	158	13	11	14	65	150	4-19	160	8-19	160	8-19	-	-	3.5
EXT-HH-D6100AB	DN100	F05	52	89	150	106	170	13	11	14	65	170	4-19	180	8-19	180	8-19	-	-	5.1
EXT-HH-D6125AB	DN125	F07	56	108	180	122	194	19	15	17	90	200	8-19	210	8-19	210	8-19	-	-	6.3
EXT-HH-D6150AB	DN150	F07	56	144	208	140	202	19	15	17	90	225	8-19	240	8-23	240	8-23	-	-	7.5
EXT-HH-D6200AB	DN200	F07	60	193	260	172	240	19	15	17	90	-	-	295	8-23	295	12-23	292	8-22	12.3
EXT-HH-D6250AB	DN250	F10	68	241	320	206	268	24	15	22	125	-	-	350	12-23	355	12-28	356	12-22	18.6
EXT-HH-D6300AB	DN300	F10	78	291	375	244	316	24	15	22	125	-	-	400	12-23	410	12-28	406	12-26	29.9
EXT-HH-D6350AB	DN350	F10	78	323	405	267	361	24	15	22	125	-	-	-	-	470	16-28	-	-	34.7
EXT-HH-D6400AB	DN400	F14	102	375	470	309	400	48	22	22	175	-	-	-	-	525	16-31	-	-	56.8
EXT-HH-D6450AB	DN450	F14	114	425	520	337	422	48	22	27	175	-	-	-	-	585	20-31	-	-	74.0
EXT-HH-D6500AB	DN500	F14	127	474	565	359	480	48	22	27	175	-	-	-	-	650	20-34	-	-	97.8
EXT-HH-D6600AB	DN600	F16	154	572	690	454	562	48	25	36	210	-	-	-	-	770	20-37	-	-	192.8

The Sizing of EXT-HH-D6...AB Series Butterfly Valves



Trade Selection by Belimo

Kv Value [m³/h]

Type	Size		Percent Open									
			10%	20%	30%	40%	50%	60%	70%	80%	90%	100%
	Opening Angle(°)											
	9	18	27	36	45	54	63	72	81	90		
DN	Inch	2-way Kvs (m³/h)										
EXT-HH-D650AB	50	2"	0.2	3.7	10	17	25	40	65	80	85	85
EXT-HH-D665AB	65	2.5"	3.1	11	20	30	45	70	95	120	160	170
EXT-HH-D680AB	80	3"	4.5	8	20	40	65	95	140	230	265	280
EXT-HH-D6100AB	100	4"	4.9	18	40	60	110	200	310	435	510	535
EXT-HH-D6125AB	125	5"	5.8	20	50	80	130	225	315	480	645	750
EXT-HH-D6150AB	150	6"	10	45	95	180	270	415	680	1000	1465	1585
EXT-HH-D6200AB	200	8"	15	60	175	315	515	785	1215	1810	2500	2645
EXT-HH-D6250AB	250	10"	30	160	340	565	870	1340	1955	2655	3975	4020
EXT-HH-D6300AB	300	12"	40	110	420	710	1170	1605	2630	3985	6020	7355
EXT-HH-D6350AB	350	14"	75	270	520	880	1420	2215	3410	5105	6980	7935
EXT-HH-D6400AB	400	16"	140	440	820	1335	2105	3225	4825	6860	8805	9735
EXT-HH-D6450AB	450	18"	200	565	1070	1720	2670	4100	6195	8955	11695	12790
EXT-HH-D6500AB	500	20"	275	740	1360	2180	3390	5200	7845	11420	15155	16800
EXT-HH-D6600AB	600	24"	365	1060	1940	3130	4935	7615	11550	17060	23220	26085

Max. Close-off Pressure Δ Ps and linkage — EXT-HH-D6..AB series

Type	SR...-5 [20Nm]	GR...-5 [40Nm]	DR...-5 [90Nm]	DR...-7 [90Nm]	PR.. [160Nm]	SY4.. [400Nm]	SY7.. [1000Nm]	SY8.. [1500Nm]	SY9.. [2000Nm]	SY10 [2500Nm]	SY12 [3500Nm]	EXT-HH-9032.. [5000Nm]
Closing Pressure Δ Ps, kPa												
EXT-HH-D650AB	1200											
EXT-HH-D665AB		1200										
EXT-HH-D680AB			1200									
EXT-HH-D6100AB			1200									
EXT-HH-D6125AB				1200								
EXT-HH-D6150AB					1200 ¹⁾							
EXT-HH-D6200AB					1200 ¹⁾							
EXT-HH-D6250AB						1200						
EXT-HH-D6300AB						1200						
EXT-HH-D6350AB							1200 ²⁾					
EXT-HH-D6400AB							1200 ³⁾	1200 ³⁾				
EXT-HH-D6450AB								1200 ⁴⁾	1200 ⁵⁾			
EXT-HH-D6500AB									1200 ⁵⁾	1200 ⁵⁾		
EXT-HH-D6600AB											1200 ⁶⁾	1200

Linkages:

1) ZPR01 2) ZSY-720 3) ZSY-721 4) ZSY-722 5) ZSY-920 6) ZSY-921