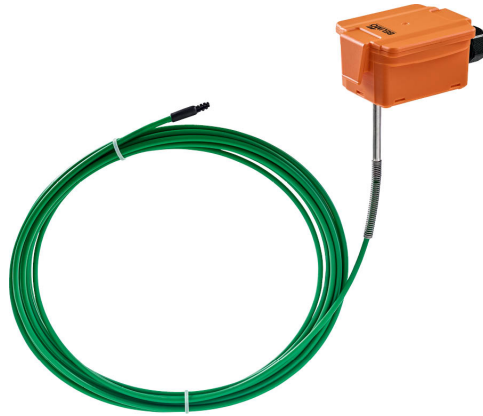


**Average temperature sensor**

Pt1000 version is supplied with one continuous sensing element across the whole length of the probe to ensure optimum accuracy and eliminate air stratification problems.


**Type Overview**

Type	Output signal	Probe length
01MT-1B4	Pt1000	3 m
01MT-1B5	Pt1000	6 m

**Technical data**

<b>Electrical data</b>	Electrical connection	Pluggable spring loaded terminal block max. 2.5 mm <sup>2</sup>
	Cable entry	Cable gland with strain relief ø6...8 mm
<b>Functional data</b>	Application	Air
	Output signal passive temperature	Pt1000
<b>Measuring data</b>	Measured values	Temperature
<b>Specification Temperature</b>	Measuring range	-35...70°C [-30...160°F]
	Measuring current	<0.3 mA @ 0°C [32°F]
	Accuracy temperature passive	Class B, ±0.3°C @ 0°C [±0.5°F @ 32° F]
	Time constant τ (63%) in the air duct	Typical 100 s @ 0 m/s
<b>Safety data</b>	Protection class IEC/EN	III, Protective Extra-Low Voltage (PELV)
	Power source UL	Class 2 Supply
	Degree of protection IEC/EN	IP65
	Degree of protection NEMA/UL	NEMA 4X
	Enclosure	UL Enclosure Type 4X
	EU Conformity	CE Marking
	Certification IEC/EN	IEC/EN 60730-1
	Quality Standard	ISO 9001
	UL Approval	cULus acc. to UL60730-1A/-2-9, CAN/CSA E60730-1/-2-9
	Type of action	Type 1
	Rated impulse voltage supply	0.8 kV
	Pollution degree	3
	Ambient humidity	Max. 95% RH, non-condensing
	Ambient temperature	-35...50°C [-30...122°F]
	Fluid temperature	-35...70°C [-30...160°F]
Housing surface temperature	Max. 90°C [195°F]	
<b>Materials</b>	Cable gland	PA6, black

**Technical data**

<b>Materials</b>	Housing	Cover: PC, orange Bottom: PC, orange Seal: NBR70, black UV resistant
------------------	---------	---

**Safety notes**


This device has been designed for use in stationary heating, ventilation and air-conditioning systems and must not be used outside the specified field of application. Unauthorised modifications are prohibited. The product must not be used in relation with any equipment that in case of a failure may threaten humans, animals or assets.

Ensure all power is disconnected before installing. Do not connect to live/operating equipment.

Only authorised specialists may carry out installation. All applicable legal or institutional installation regulations must be complied with during installation.

The device contains electrical and electronic components and must not be disposed of as household refuse. All locally valid regulations and requirements must be observed.

**Remarks**

<b>General remarks concerning sensors</b>	<p>Due to self-heating with 2 wire passive sensors, the supply wire current affects the measurement accuracy. So the supply current should not be higher than the measuring current values specified in this data sheet.</p> <p>When using lengthy connecting cables (depending on the cross section used), the cable resistance must be taken into account. The lower the impedance of the sensor used, the greater the effect of the line resistance on the measurement, because it generates an offset.</p>
---	--

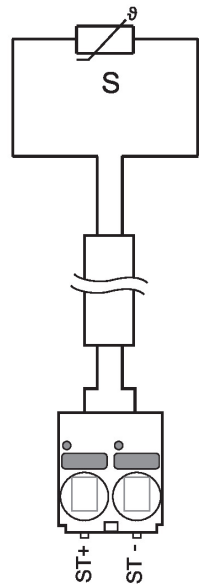
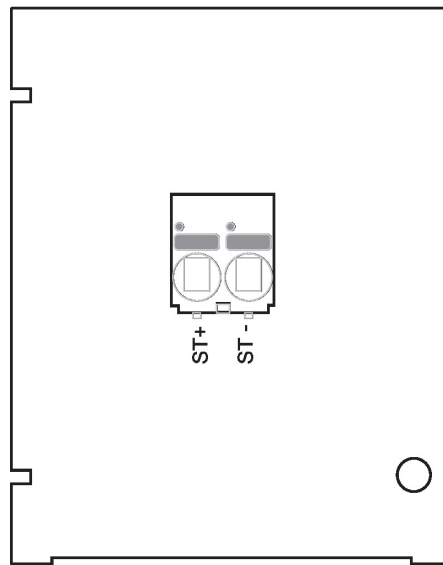
**Parts included**

Description	Type
Mounting kit, with 6 mounting brackets	A-22D-A08
Mounting plate S housing	A-22D-A09

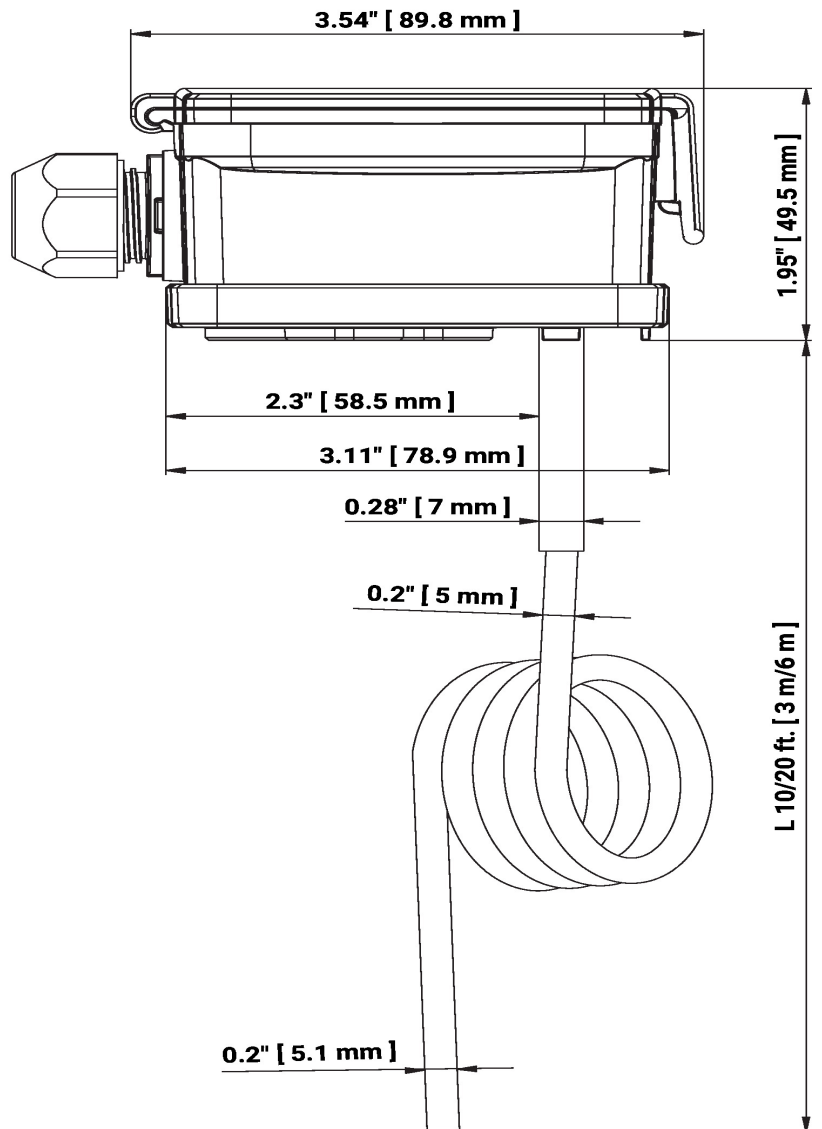
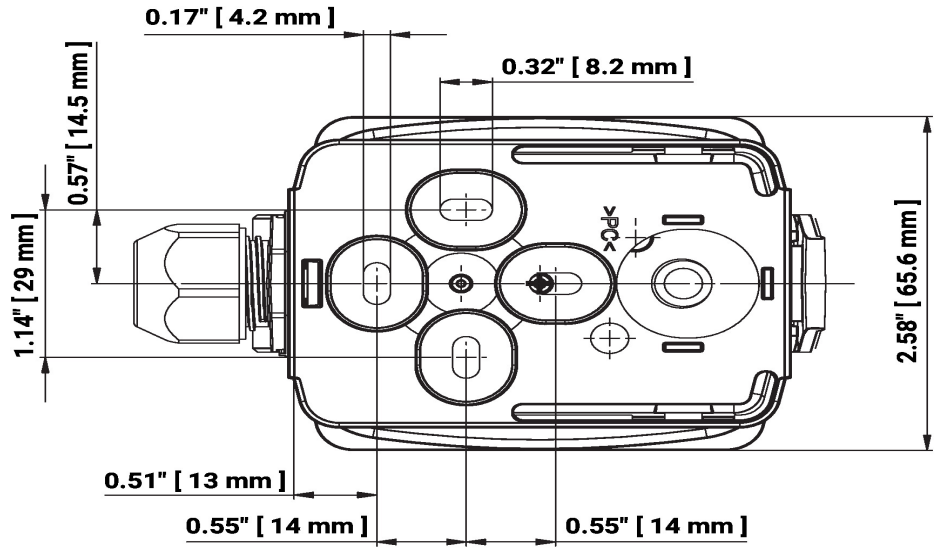
**Accessories**

Optional accessories	Description	Type
	Connection adapter flex conduit, M20x1.5, for cable gland 1x 6 mm, Multipack 10 pcs.	A-22G-A01.1

## Wiring diagram



**Dimensions**



**Dimensions**

L = Probe length

Type	Probe length	Weight
01MT-1B4	3 m	0.17 kg
01MT-1B5	6 m	0.21 kg

**Further documentation**

- Installation instructions
- Resistance characteristics