

Robinet à papillon avec

- Étanchéité à la bulle à la fermeture
- Siège élastique
- Les dimensions face à face du robinet sont conformes aux normes API 609 et MSS-SP-67
- Entièrement assemblé et testé, prêt pour l'installation



Picture may differ from product



5-year warranty

Aperçu des différents types

Type	DN
F6125L	5" [125]

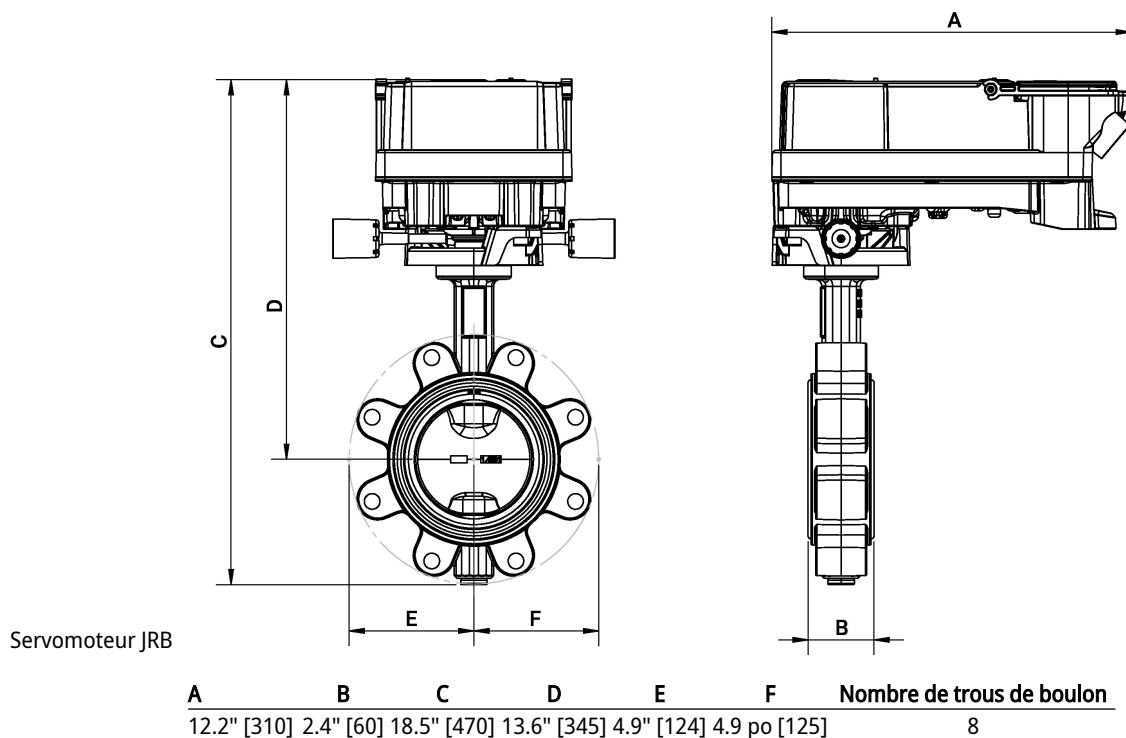
Caractéristiques techniques

Données fonctionnelles	Fluide	Eau froide et tiède, eau contenant du glycol à un volume maximal de 60 %.
Température du fluide		-22...250°F [-30...120°C]
Pression nominale du corps		Classe ANSI compatible avec CWP de 125, 232 psi
Pression de fermeture Δps		200 psi
Caractéristique de débit		Égal pourcentage
Taux de fuite		Taux de fuite à 0%
Raccord de tuyau		Bride à utiliser avec ASME/ANSI classe 125/150
Entretien		sans entretien
Configuration d'écoulement		2-way
Débit réglable		Rotation à 90°
Cv		1140
Vitesse maximale		12 FPS
Fils de languette		3/4-10 UNC
Matériaux		
Corps de robinet		Fonte ductile GGG40
Centre de téléchargement		Acier inoxydable AISI 304 (CF-8, 1.4308)
Tige de manœuvre		Acier inoxydable AISI 420 (1.4021)
Joint de la tige de manœuvre		Joint torique en EPDM
Roulement de la tige de manoeuvre		Bronze, acier, PTFE
Siège		EPDM

Dimensions

Type	DN	Poids
F6125L	5" [125]	21.7 lb [9.8 kg]

Dimensions



Documentation complémentaire

- Gamme complète de produits pour les systèmes à l'eau
- Fiches techniques pour servomoteurs
- Instructions d'installation servomoteurs et des robinets à papillon
- Remarques générales relatives à la planification de projets

Rotary actuator for butterfly valves

- Nominal voltage AC 24...240 V / DC 24...125 V
- Control On/Off, Floating point
- With two integrated auxiliary switches



5-year warranty



Picture may differ from product

Technical data

Electrical data	Nominal voltage	AC 24...240 V / DC 24...125 V
	Nominal voltage frequency	50/60 Hz
	Nominal voltage range	AC 19.2...264 V / DC 19.2...137.5 V
	Power consumption in operation	20 W
	Power consumption in rest position	7 W
	Transformer sizing	with 24 V 20 VA / with 240 V 55 VA
	Auxiliary switch	2x SPDT, 1x 10° / 1x 0...90° (default setting 85°)
	Switching capacity auxiliary switch	1 mA...3 A (0.5 A inductive), DC 5 V...AC 250 V
	Connection protective earth	20...14 AWG, only copper wires
	Electrical Connection	Terminal blocks, (PE) Ground-Screw
Overload Protection	electronic throughout 0...90° rotation	
Data bus communication	Communicative control	BACnet MS/TP Modbus RTU MP-Bus
	Number of nodes	BACnet / Modbus see interface description MP-Bus max. 16
Functional data	Position accuracy	±5%
	Manual override	hand lever
	Running Time (Motor)	35 s / 90°
	Running time motor variable	20...120 s
	Noise level, motor	65 dB(A)
	Position indication	Mechanical, integrated
Safety data	Power source UL	Class 2 Supply
	Degree of protection IEC/EN	IP66/67
	Degree of protection NEMA/UL	NEMA 4X
	Housing	UL Enclosure Type 4X
	EMC	CE according to 2014/30/EU
	Low voltage directive	CE according to 2014/35/EU
	Certification IEC/EN	IEC/EN 60730-1 and IEC/EN 60730-2-14
	UL Approval	cULus according to UL60730-1A, UL60730-2-14 and CAN/CSA E60730-1 The UL marking on the actuator depends on the production site, the device is UL-compliant in any case

Technical data

Safety data	Overvoltage category	III
	Rated impulse voltage supply	4 kV
	Ambient humidity	Max. 100% RH
	Ambient temperature	-22...122°F [-30...50°C]
	Storage temperature	-40...176°F [-40...80°C]
	Software Class	A
	Servicing	maintenance-free
Weight	Weight	8.1 lb [3.7 kg]

Safety notes


- This device has been designed for use in stationary heating, ventilation and air-conditioning systems and must not be used outside the specified field of application, especially in aircraft or in any other airborne means of transport.
- Caution: Line voltage!
- The device has a protective earthing. Incorrect connection of the protective earth can lead to hazards due to electrical shock.
- Only authorized specialists may carry out installation. All applicable legal or institutional installation regulations must be complied with during installation.
- Apart from the wiring compartment, the device may be opened only at the manufacturer's site. It does not contain any parts that can be replaced or repaired by the user.
- The device contains electrical and electronic components and must not be disposed of as household refuse. All locally valid regulations and requirements must be observed.
- The two switches integrated in the actuator are to be operated either on line voltage or on safety extra-low voltage. The combination line voltage/safety extra-low voltage is not permitted.
- For maintenance work, the correct valve position must be set via the control signal. Additionally, the actuator must be disconnected from the power source. The hand crank and manual override shall not be used as a safety measure to maintain the valve position.

Product features

Fields of application	The actuator is particularly suitable for utilisation in outdoor applications and is protected against the following weather conditions: - UV radiation - Dirt / Dust - Rain / Snow - Air humidity
Internal heating	An internal heater prevents condensation buildup. Thanks to the integrated temperature and humidity sensor, the built-in heater automatically switches on/off.
Parametrizable actuators	The factory settings cover the most common applications. Belimo Assistant 2 is required for programming via Near Field Communication (NFC) and simplifies commissioning. Moreover, Belimo Assistant 2 provides a variety of diagnostic options. The ZTH EU service tool provides a selection of both diagnostic and setting options.
Simple direct mounting	Simple direct mounting on the butterfly valve. The mounting orientation in relation to the butterfly valve can be selected in 90° (angle) increments.
Manual override	The valve can be manually operated using a hand crank. Unlocking is carried out manually by removing the hand crank.

Product features

- High functional reliability** The actuator is overload protected, requires no limit switches and automatically stops when the end stop is reached.
- Innovative motorization** The actuator uses the powerful Belimo M600 microchip in combination with the INFORM method. It provides the full starting torque from a standstill with high precision (sensorless INFORM-Drive by Prof. Schrödl).
- Flexible signaling** The actuator has one auxiliary switch with a fixed setting (10°) and one adjustable auxiliary switch (0...90°).

Accessories

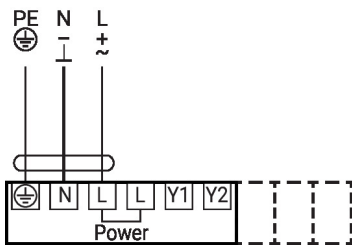
Tools	Description	Type
	Service-Tool for wired and wireless setup, on-site operation and troubleshooting.	Belimo Assistant 2
	Universal converter, with ZIP-USB function and Bluetooth to NFC conversion, for wired and wireless connection of the device to PC/tablet/smartphone	Belimo One Tool
	Connecting cable 16 ft [5 m], A: RJ11 6/4 ZTH EU, B: 6-pin for connection to service socket	ZK1-GEN
Mechanical accessories	Description	Type
	Hand crank for JR actuator	ZJR20

Electrical installation

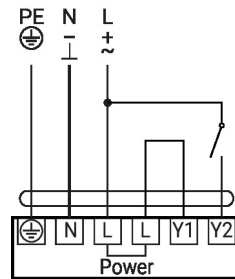


Caution: Line voltage!
Parallel connection of other actuators possible. Observe the performance data.

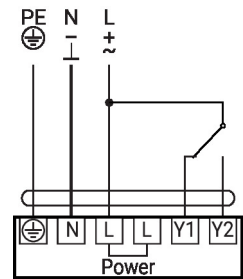
AC 24...240 V / DC 24...125 V



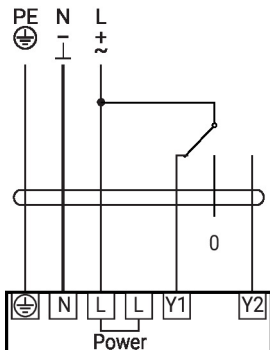
Control on/off



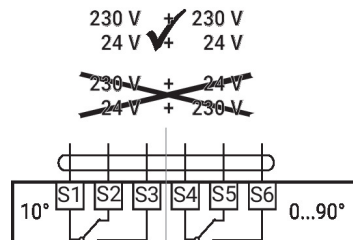
Control on/off



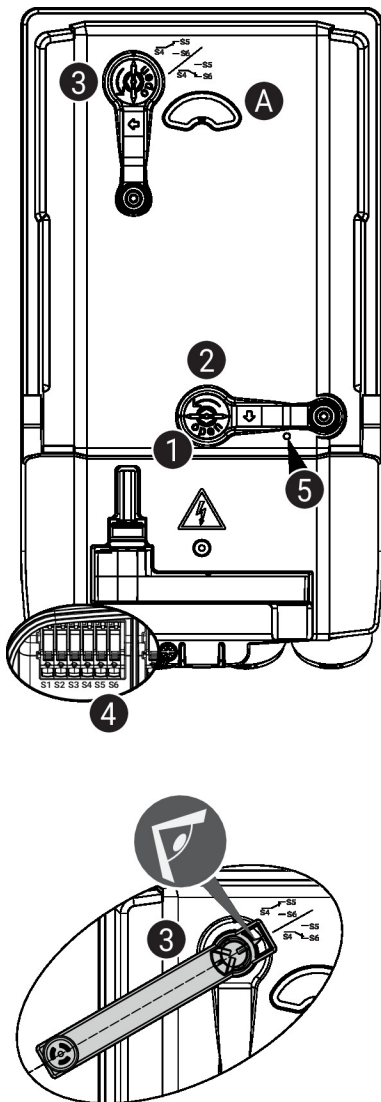
Control floating point



Auxiliary switch



Operating controls and indicators


5 LED display green

- Off: No power supply or malfunction
- On: In operation

Auxiliary switch settings

Note: Perform settings on the actuator only in deenergised state.

For the auxiliary switch position settings, carry out points **1** to **4** successively.

1 Gear train disengagement

Opening the manual override cover and adjusting the hand crank.
Manual override is possible.

2 Manual override

Turn the hand crank until the desired switching position **A** is indicated and then remove the hand crank.

3 Auxiliary switch

For the auxiliary switch position settings, carry out points **1** to **4** successively.
Opening the auxiliary switch adjustment cover and adjusting the hand crank.
Turn the hand crank until the arrow points to the line.

4 Terminals

Connect continuity tester to S4 + S5 or to S4 + S6.
If the auxiliary switch should switch in the opposite direction, rotate the hand crank by 180°.

Service

Rotary Actuator, On/Off, Floating point, AC 24...240 V / DC 24...125 V, 90 Nm, Running Time (Motor) 35 s

Service

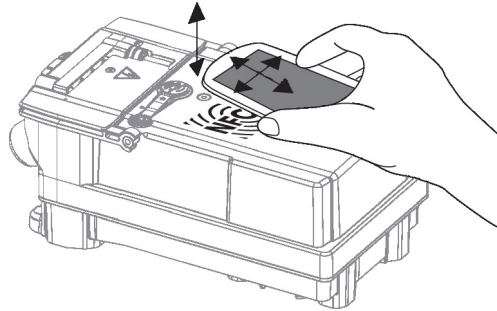
Wireless connection Belimo devices marked with the NFC logo can be operated with the Belimo Assistant 2.

Requirement:

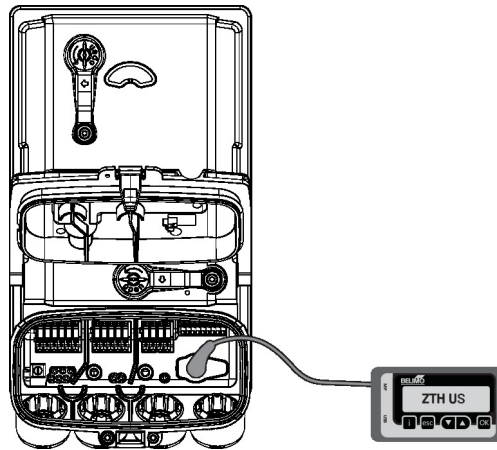
- NFC- or Bluetooth-capable smartphone
- Belimo Assistant 2 (Google Play and Apple AppStore)

Align NFC-capable smartphone on the device so that both NFC antennas are superposed.

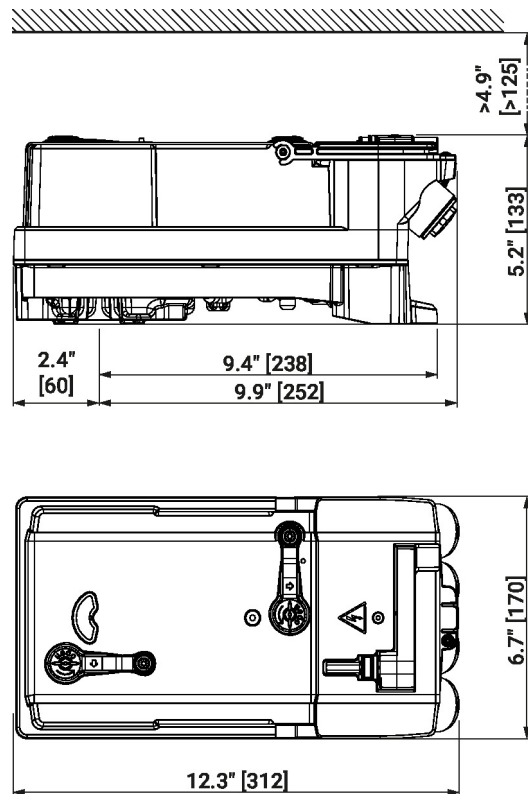
Connect Bluetooth-enabled smartphone via the Bluetooth-to-NFC converter ZIP-BT-NFC to the device. Technical data and operating instructions are shown in the ZIP-BT-NFC data sheet.



Wired connection The Belimo One Tool can configure the actuator via the service socket.



Dimensions



Further documentation

- The complete product range for water applications
- Data sheets for butterfly valves
- Installation instructions for actuators and/or butterfly valves
- General notes for project planning
- Quick Guide – Belimo Assistant 2