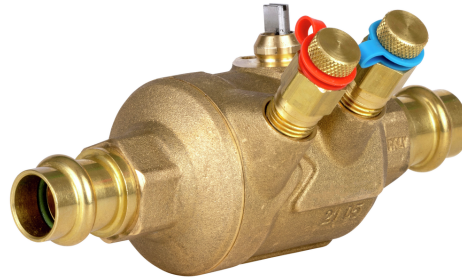


ZoneTight™, 2-way, Press fit

- For closed cold and warm water systems
- For modulating control of air-handling and heating systems on the water side
- Snap-assembly of the actuator



5-year warranty

Type overview

Type	DN
Z2050QPTPF-F	15

Technical data

Functional data	Valve size [mm]	0.5" [15]
	Fluid	chilled or hot water, up to 60% glycol
	Fluid Temp Range (water)	36...212°F [2...100°C]
	Differential pressure	5...50 psi
	Body Pressure Rating	250 psi
	Close-off pressure Δps	200 psi
	Flow characteristic	equal percentage
	Flow accuracy	±5%
	Leakage rate	0%
	Angle of rotation note	Operating range 15...90°
	Pipe connection	Press fit
	Installation orientation	upright to horizontal (in relation to the stem)
	Servicing	maintenance-free
	Flow Pattern	2-way
Controllable flow range	75°	
Materials	Valve body	forged brass
	Stem	stainless steel
	Stem seal	EPDM O-ring
	Seat	PTFE, O-Ring EPDM
	Characterized disc	incorporated into the ball
	Diaphragm	EPDM
	O-ring	EPDM
	Ball	stainless steel
Suitable actuators	Non Fail-Safe	CQB(X)
	Electronic fail-safe	CQKB(X)
Terms	Abbreviations	V'nom = nominal flow with valve completely opened V'max = maximum flow rate, set by the angle-of-rotation limitation on the actuator

Safety notes

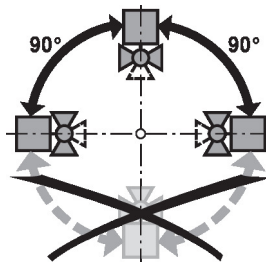
- **WARNING:** This product can expose you to lead which is known to the State of California to cause cancer and reproductive harm. For more information go to www.p65warnings.ca.gov
- If temperature exceeds 212°F operating range due to a boiler control failure the valve will safely contain the hot water but manufacturers product warranty becomes invalid. Valve and actuator replacement is at the expense of others.

Product features

- Application** The PIQCV zone valves with its pressure independent technology are suited for large commercial buildings where higher close-off and dynamic balancing is required. Common applications include unit ventilators, fan coil units, VAV reheat coils, fin tube casing, radiant panels and duct coils. The valve fits in space restricted areas and can be assembled without the use of tools.
- Operating mode** The ball valve is adjusted by a rotary actuator. The actuator is controlled by a commercially available modulating or 3-point control system and moves the ball of the valve – the throttling device – to the position dictated by the control signal. Open the characterized control valve counterclockwise and close it clockwise.
- Flow characteristic** Equal percentage flow control is ensured by the special design of the ball.

Installation notes

- Permissible installation orientation** The ball valve can be installed upright to horizontal. The ball valve may not be installed in a hanging position, i.e. with the stem pointing downwards.

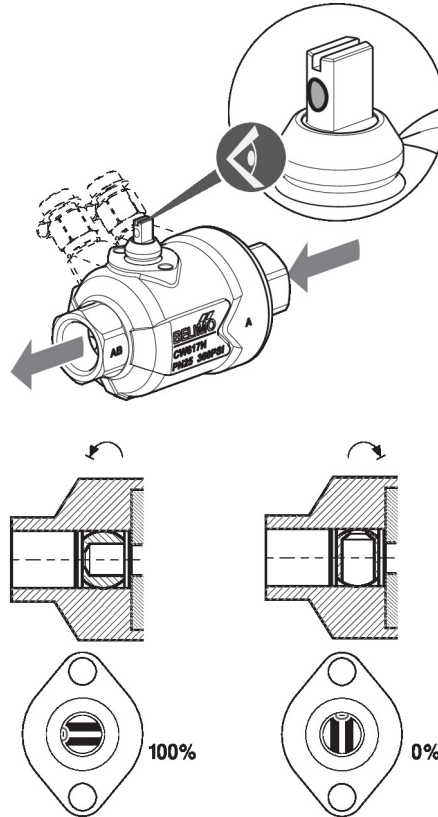


- Water quality requirements** Belimo valves are regulating devices. For the valves to function correctly in the long term, they must be kept free from particle debris (e.g. welding beads during installation work). The installation of a suitable strainer is recommended.

- Servicing** Ball valves and rotary actuators are maintenance-free.
- Before any service work on the control element is carried out, it is essential to isolate the rotary actuator from the power supply (by unplugging the electrical cable if necessary). Any pumps in the part of the piping system concerned must also be switched off and the appropriate slide valves closed (allow all components to cool down first if necessary and always reduce the system pressure to ambient pressure level).
- The system must not be returned to service until the ball valve and the rotary actuator have been correctly reassembled in accordance with the instructions and the pipeline has been refilled by professionally trained personnel.

Installation notes

Flow direction The direction of flow, specified by an arrow on the housing, is to be complied with, since otherwise the ball valve could become damaged. Please ensure that the ball is in the correct position (marking on the stem).



Flow setting The angle of rotation of the CQ.. actuator can be changed by end stop clip in 2.5° increments. This is used to set the V'max value (maximum flow rate of the valve).

Remove end stop clip and place at desired position.

After every change of the flow setting by means of end stop clip, an adaptation must be triggered on the modulating actuators.

1. PIQCV

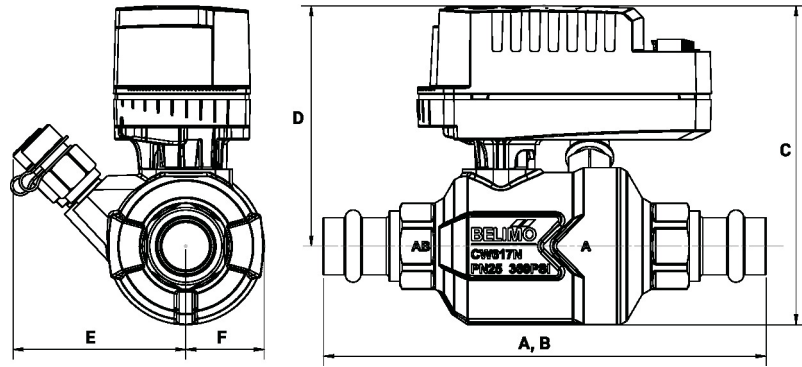
The diagram shows the steps to adjust the flow setting. It includes a perspective view of the valve with an end stop clip being placed on the actuator. Below the perspective view are three circular diagrams showing the clip being rotated to different positions. The first diagram shows the clip being placed on the actuator. The second diagram shows the clip being rotated to a specific position. The third diagram shows the clip being rotated to a different position. A checkmark is shown next to the third diagram, indicating that the clip is correctly positioned.

Valve Model (1/2")	Clip Position for Flow Adjustment (GPM)																			
	1	1+	2-	2	2+	3-	3	3+	4-	4	4+	5-	5	5+	6-	6	6+	N-	N	No Clip
Z2050QTPF-B			0.1					0.2			0.3		0.4		0.5		0.6	0.7	0.8	0.9
Z2050QTPF-D	0.2			0.3			0.4	0.5		0.6	0.7	0.8	0.9	1.0	1.2	1.3	1.5	1.6	1.8	2.0
Z2050QTPF-F				0.6		0.7	0.8	0.9	1.0	1.3	1.5	1.7	1.9	2.2	2.5	2.8	3.1	3.3	3.6	4.3
Valve Model 3/4"																				
Z2075QTPF-G			1.6	1.8	2.1	2.4	2.7	3.0	3.3	3.7	4.0	4.4	4.9	5.3	5.8	6.3	6.7	7.2	7.7	9.0
Runtime	30	33	35	37	39	41	43	45	47	49	51	53	55	58	60	62	64	66	68	75

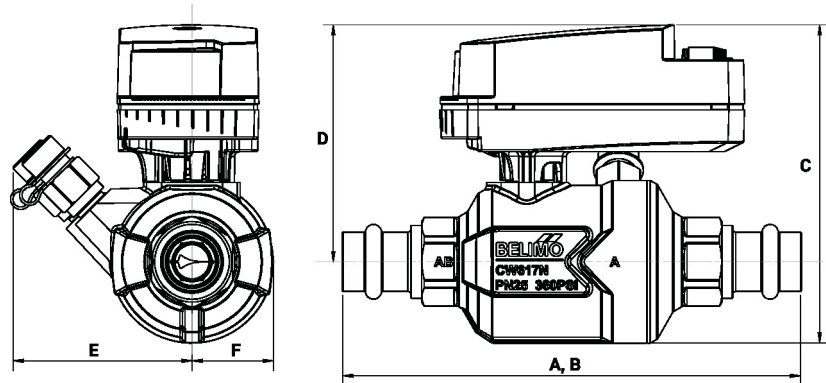
Dimensions

Type	DN	Weight
Z2050QTPF-F	15	2.0 lb [0.90 kg]

Dimensions



A	B	C	D	E	F
6.1" [154]	6.1" [156]	4.5" [114]	3.3" [85]	2.4" [62]	1.2" [31]



A	B	C	D	E	F
6.1" [154]	4.2" [107]	4.5" [114]	3.2" [82]	2.4" [62]	1.2" [31]

On/Off, Electrical fail-safe, 100...240 V

- Nominal voltage AC 100...240 V
- Control On/Off



5-year warranty


Technical data

Electrical data	Nominal voltage	AC 100...240 V	
	Nominal voltage frequency	50/60 Hz	
	Nominal voltage range	AC 85...265 V	
	Power consumption in operation	3 W	
	Power consumption in rest position	0.5 W	
	Transformer sizing	7 VA	
	Electrical Connection	19 GA appliance cable, 1 m, with 1/2" NPT conduit connector	
	Overload Protection	electronic throughout 0...90° rotation	
	Electrical Protection	actuators are double insulated	
Functional data	Bridging time (PF)	2 s	
	Pre-charging time	5...20 s	
	Angle of rotation	90°	
	Angle of rotation note	adjustable with mechanical stop	
	Running Time (Motor)	75 s / 90°	
	Running time fail-safe	<60 s	
	Noise level, motor	35 dB(A)	
	Noise level, fail-safe	35 dB(A)	
	Position indication	pointer	
Safety data	Power source UL	Class 2 Supply	
	Degree of protection IEC/EN	IP40	
	Degree of protection NEMA/UL	NEMA 2	
	Enclosure	UL Enclosure Type 2	
	Agency Listing	cULus acc. to UL60730-1A/-2-14, CAN/CSA E60730-1:02 CE acc. to 2014/30/EU and 2014/35/EU	
	Quality Standard	ISO 9001	
	UL 2043 Compliant	Suitable for use in air plenums per Section 300.22(C) of the NEC and Section 602 of the IMC	
	Ambient humidity	Max. 95% RH, non-condensing	
	Ambient temperature	35...104°F [2...40°C]	
	Storage temperature	-40...176°F [-40...80°C]	
	Servicing	maintenance-free	
	Weight	Weight	0.54 lb [0.25 kg]

Technical data

Materials	Housing material	UL94-5VA
------------------	------------------	----------

Product features

Application Electrical fail-safe On/Off ZoneTight actuator.
 Valve selection should be done in accordance with the flow parameters and system specifications.
 The actuator is mounted directly to the valve without the need for tools or additional linkage.
 The actuator operates in response to AC 100...240 V. Angle of rotation is adjustable with the integrated mechanical stop.

Electrical installation

INSTALLATION NOTES

- Actuators with appliance cables are numbered.
- Provide overload protection and disconnect as required.
- Actuators may be connected in parallel. Power consumption and input impedance must be observed.
- Meets cULus requirements without the need of an electrical ground connection.
- Warning! Live electrical components!**
 During installation, testing, servicing and troubleshooting of this product, it may be necessary to work with live electrical components. Have a qualified licensed electrician or other individual who has been properly trained in handling live electrical components perform these tasks. Failure to follow all electrical safety precautions when exposed to live electrical components could result in death or serious injury.

Wiring diagrams

On/Off

