

**ANSI-Flanged Globe Valves**

- chilled or hot water, up to 60% glycol, steam
- ANSI Class 125, up to 175 psi below 150°F
- 125
- Cast iron - ASTM A126 Class B



5-year warranty

**Type overview**

|             |           |
|-------------|-----------|
| <b>Type</b> | <b>DN</b> |
| G6150C      | 150       |

**Technical data**

|                           |                                   |   |
|---------------------------|-----------------------------------|---|
| <b>Functional data</b>    | Valve size [mm]                   | 6" [150]                                      |
|                           | Fluid                             | chilled or hot water, up to 60% glycol, steam |
|                           | Fluid Temp Range (water)          | 32...338°F [0...138°C]                        |
|                           | Fluid Temp Range (steam)          | 32...280°F [0...138°C]                        |
|                           | Body Pressure Rating              | ANSI Class 125, up to 175 psi below 150°F     |
|                           | Flow characteristic               | equal percentage                              |
|                           | Leakage rate                      | ANSI Class III                                |
|                           | Pipe connection                   | Flange<br>for use with ASME/ANSI class 125    |
|                           | Servicing                         | repack/rebuild kits available                 |
|                           | Rangeability Sv                   | 98:1  |
|                           | Max Differential Pressure (Steam) | 15 psi [103 kPa]                              |
|                           | Flow Pattern                      | 2-way   |
|                           | Controllable flow range           | stem up - open A – AB                         |
|                           | Cv                                | 344   |
|                           | Maximum Inlet Pressure (Steam)    | 35 psi [241 kPa]                              |
| <b>Materials</b>          | Valve body                        | Cast iron - ASTM A126 Class B                 |
|                           | Valve plug                        | brass   |
|                           | Stem                              | stainless steel                               |
|                           | Stem seal                         | NLP EPDM (no lip packing)                     |
|                           | Seat                              | Stainless steel AISI 316                      |
| <b>Suitable actuators</b> | Non Fail-Safe                     | EVB(X)  |
|                           | Spring                            | 2*AFB(X)                                      |
|                           | Electrical fail-safe              | AVKB(X)                                       |

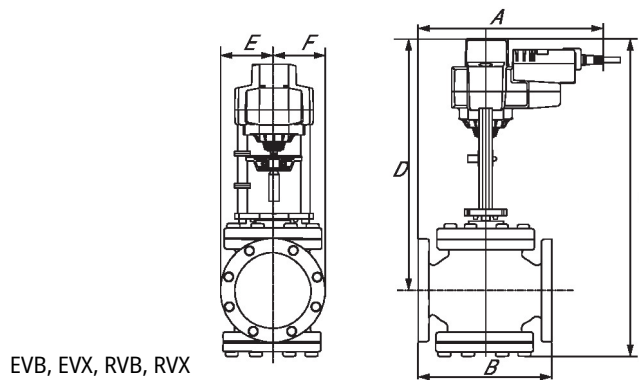
Safety notes



- **WARNING:** This product can expose you to lead which is known to the State of California to cause cancer and reproductive harm. For more information go to [www.p65warnings.ca.gov](http://www.p65warnings.ca.gov)
- The valve has been designed for use in stationary heating, ventilation and air-conditioning systems and must not be used outside the specified field of application, especially in aircraft or in any other airborne means of transport.
- Only authorized specialists may carry out installation. All applicable legal or institutional installation regulations must be complied with during installation.
- The valve does not contain any parts that can be replaced or repaired by the user.
- When determining the flow rate characteristic of controlled devices, the recognised directives must be observed.

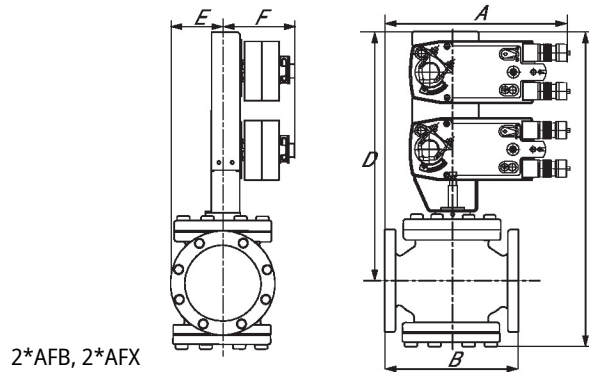
Dimensions

| Type   | DN  | Weight         |
|--------|-----|----------------|
| G6150C | 150 | 150 lb [67 kg] |



EVB, EVX, RVB, RVX

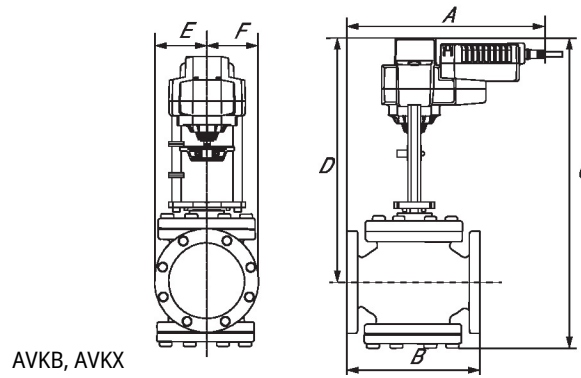
| A           | B           | C           | D           | E          | F          | Number of Bolt Holes |
|-------------|-------------|-------------|-------------|------------|------------|----------------------|
| 16.1" [410] | 17.8" [451] | 27.9" [708] | 19.4" [492] | 5.6" [142] | 5.6" [142] | 8                    |



2\*AFB, 2\*AFX

| A           | B           | C           | D           | E          | F          | Number of Bolt Holes |
|-------------|-------------|-------------|-------------|------------|------------|----------------------|
| 16.1" [410] | 17.8" [451] | 31.4" [797] | 22.8" [578] | 5.6" [142] | 5.5" [140] | 8                    |

## Dimensions



AVKB, AVKX

| A           | B           | C           | D           | E          | F          | Number of Bolt Holes |
|-------------|-------------|-------------|-------------|------------|------------|----------------------|
| 16.1" [410] | 17.8" [451] | 27.9" [708] | 19.4" [492] | 5.6" [142] | 5.6" [142] | 8                    |

On/Off, Spring return, 24...240 V



5-year warranty



## Technical data

|                        |                                    |   |
|------------------------|------------------------------------|---|
| <b>Electrical data</b> | Nominal voltage                    | AC 24...240 V / DC 24...125 V   |
|                        | Nominal voltage frequency          | 50/60 Hz  |
|                        | Nominal voltage range              | AC 19.2...264 V / DC 21.6...137.5 V   |
|                        | Power consumption in operation     | 7 W   |
|                        | Power consumption in rest position | 3.5 W   |
|                        | Transformer sizing                 | 36 VA   |
|                        | Electrical Connection              | 18 GA appliance cable, 3 ft [1 m], with 1/2" NPT conduit connector                          |
|                        | Overload Protection                | electronic throughout 0...90° rotation  |
| <b>Functional data</b> | Direction of motion motor          | selectable by ccw/cw mounting   |
|                        | Direction of motion fail-safe      | reversible with cw/ccw mounting   |
|                        | Manual override                    | 5 mm hex crank (3/16" Allen), supplied  |
|                        | Angle of rotation                  | 95°   |
|                        | Running Time (Motor)               | 75 s / 90°  |
|                        | Running time fail-safe             | <20 s   |
|                        | Noise level, motor                 | 50 dB(A)  |
|                        | Noise level, fail-safe             | 62 dB(A)  |
| Position indication    | Mechanical, 30...65 mm stroke      |   |
| <b>Safety data</b>     | Power source UL                    | Class 2 Supply  |
|                        | Degree of protection IEC/EN        | IP54  |
|                        | Degree of protection NEMA/UL       | NEMA 2  |
|                        | Enclosure                          | UL Enclosure Type 2   |
|                        | Agency Listing                     | cULus acc. to UL60730-1A/-2-14, CAN/CSA E60730-1:02, CE acc. to 2014/30/EU                  |
|                        | Quality Standard                   | ISO 9001  |
|                        | UL 2043 Compliant                  | Suitable for use in air plenums per Section 300.22(C) of the NEC and Section 602 of the IMC |
|                        | Ambient humidity                   | Max. 95% RH, non-condensing   |
|                        | Ambient temperature                | -22...122°F [-30...50°C]  |
|                        | Storage temperature                | -40...176°F [-40...80°C]  |
|                        | Servicing                          | maintenance-free  |
| <b>Weight</b>          | Weight                             | □   |
| <b>Materials</b>       | Housing material                   | Galvanized steel and plastic housing  |

Technical data

**Footnotes** †Rated Impulse Voltage 4kV, Type of action 1.AA, Control Pollution Degree 3.

Electrical installation

- Warning! Live electrical components!**  
During installation, testing, servicing and troubleshooting of this product, it may be necessary to work with live electrical components. Have a qualified licensed electrician or other individual who has been properly trained in handling live electrical components perform these tasks. Failure to follow all electrical safety precautions when exposed to live electrical components could result in death or serious injury.
- Actuators with appliance cables are numbered.
- Universal Power Supply (UP) models can be supplied with AC 24...240 V, or DC 24...125 V.
- Apply only AC line voltage or only UL-Class 2 voltage to the terminals of auxiliary switches. Mixed or combined operation of line voltage/safety extra low voltage is not allowed.
- Meets cULus requirements without the need of an electrical ground connection.
- Provide overload protection and disconnect as required.
- Actuators may also be powered by DC 24 V.
- Actuators may be powered in parallel. Power consumption must be observed.
- Parallel wiring required for piggy-back applications.

Wiring diagrams

On/Off

24 to 240 VAC

