



5-year warranty

Type overview

| | |
|-------------|-----------|
| Type | DN |
| G6150C-250 | 150 |

Technical data

| | | |
|---------------------------|-----------------------------------|---|
| Functional data | Valve size [mm] | 6" [150] |
| | Fluid | chilled or hot water, up to 60% glycol, steam |
| | Fluid Temp Range (water) | 32...350°F [0...176°C] |
| | Fluid Temp Range (steam) | 32...280°F [0...138°C] |
| | Body Pressure Rating | ANSI Class 250, up to 280 psi below 350°F |
| | Flow characteristic | equal percentage |
| | Servicing | repack/rebuild kits available |
| | Rangeability Sv | 98:1 |
| | Max Differential Pressure (Steam) | 15 psi [103 kPa] |
| | Flow Pattern | 2-way |
| | Leakage rate | ANSI Class III |
| | Controllable flow range | stem up - open A – AB |
| | Cv | 344 |
| | Maximum Inlet Pressure (Steam) | 35 psi [241 kPa] |
| Materials | Valve body | Cast iron - ASTM A126 Class B |
| | Valve plug | bronze |
| | Stem | stainless steel |
| | Stem seal | NLP EPDM (no lip packing) |
| | Seat | Stainless steel AISI 316 |
| | Pipe connection | 250 lb flanged |
| Suitable actuators | Non-Spring | EVB(X) |
| | Spring | (2*AFB(X)) |
| | Electrical fail-safe | AVKB(X) (2*GKB(X)) |

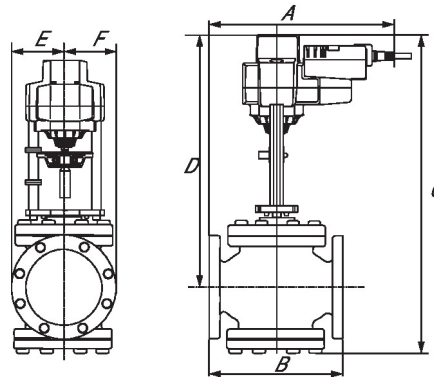
Safety notes


- **WARNING:** This product can expose you to lead which is known to the State of California to cause cancer and reproductive harm. For more information go to www.p65warnings.ca.gov
- The valve has been designed for use in stationary heating, ventilation and air-conditioning systems and must not be used outside the specified field of application, especially in aircraft or in any other airborne means of transport.
- Only authorized specialists may carry out installation. All applicable legal or institutional installation regulations must be complied during installation.
- The valve does not contain any parts that can be replaced or repaired by the user.
- When determining the flow rate characteristic of controlled devices, the recognised directives must be observed.

Dimensions

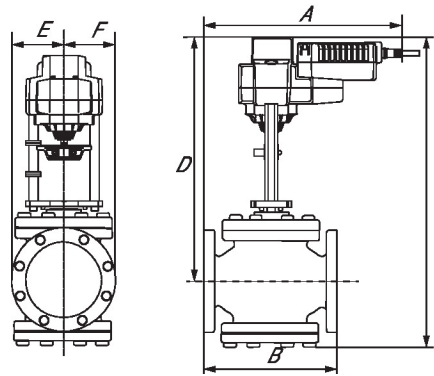
| Type | DN | Weight |
|------------|-----|-------------------|
| G6150C-250 | 150 | 196.25 lb [89 kg] |

EVB, EVX, RVB, RVX



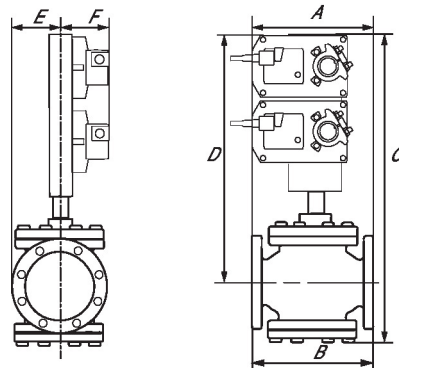
| A | B | C | D | E | F | Number of Bolt Holes |
|-------------|-------------|-------------|-------------|------------|------------|----------------------|
| 18.6" [473] | 16.5" [419] | 27.9" [708] | 19.4" [492] | 6.3" [160] | 5.5" [140] | 12 |

AVKB, AVKX



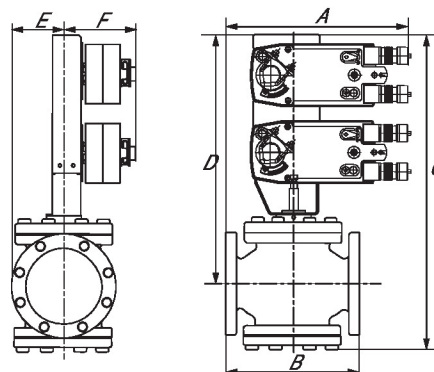
| A | B | C | D | E | F | Number of Bolt Holes |
|-------------|-------------|-------------|-------------|------------|------------|----------------------|
| 16.5" [420] | 18.6" [473] | 27.9" [708] | 19.4" [492] | 6.3" [160] | 5.5" [140] | 12 |

2*GKB, 2*GKX



| A | B | C | D | E | F | Number of Bolt Holes |
|-------------|-------------|-------------|------------|------------|------------|----------------------|
| 16.5" [420] | 18.6" [473] | 32.4" [823] | 8.5" [216] | 6.3" [160] | 5.5" [140] | 12 |

2*AFB, 2*AFX



| A | B | C | D | E | F | Number of Bolt Holes |
|-------------|-------------|-------------|-------------|------------|------------|----------------------|
| 16.1" [410] | 18.6" [473] | 32.1" [815] | 23.2" [590] | 5.6" [142] | 5.5" [140] | 12 |



5-year warranty









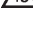


Technical data

| | | |
|------------------------|------------------------------------|---|
| Electrical data | Nominal voltage | AC 24...240 V / DC 24...125 V |
| | Nominal voltage frequency | 50/60 Hz |
| | Nominal voltage range | AC 19.2...264 V / DC 21.6...137.5 V |
| | Power consumption in operation | 7 W |
| | Power consumption in rest position | 3.5 W |
| | Transformer sizing | 36 VA |
| | Electrical Connection | 18 GA appliance cable, 1 m, with 1/2" conduit connector |
| | Overload Protection | electronic throughout 0...90° rotation |
| Functional data | Direction of motion motor | selectable by ccw/cw mounting |
| | Direction of motion fail-safe | reversible with cw/ccw mounting |
| | Manual override | 5 mm hex crank (3/16" Allen), supplied |
| | Angle of rotation | 95° |
| | Running Time (Motor) | 75 s / 90° |
| | Running time fail-safe | <20 s |
| | Noise level, motor | 50 dB(A) |
| | Noise level, fail-safe | 62 dB(A) |
| Position indication | Mechanical, 30...65 mm stroke | |
| Safety data | Power source UL | Class 2 Supply |
| | Degree of protection IEC/EN | IP54 |
| | Degree of protection NEMA/UL | NEMA 2 |
| | Enclosure | UL Enclosure Type 2 |
| | Agency Listing | cULus acc. to UL60730-1A/-2-14, CAN/CSA E60730-1:02, CE acc. to 2014/30/EU |
| | Quality Standard | ISO 9001 |
| | UL 2043 Compliant | Suitable for use in air plenums per Section 300.22(C) of the NEC and Section 602 of the IMC |
| | Ambient humidity | Max. 95% RH, non-condensing |
| | Ambient temperature | -22...122°F [-30...50°C] |
| | Storage temperature | -40...176°F [-40...80°C] |
| Servicing | maintenance-free | |
| Weight | Weight | 9.03 lb [4.1 kg] |
| Materials | Housing material | Galvanized steel and plastic housing |

Footnotes †Rated Impulse Voltage 4kV, Type of action 1.AA, Control Pollution Degree 3.

Electrical installation

-  **Warning! Live electrical components!**
During installation, testing, servicing and troubleshooting of this product, it may be necessary to work with live electrical components. Have a qualified licensed electrician or other individual who has been properly trained in handling live electrical components perform these tasks. Failure to follow all electrical safety precautions when exposed to live electrical components could result in death or serious injury.
-  Actuators with appliance cables are numbered.
-  Universal Power Supply (UP) models can be supplied with 24 VAC up to 240 VAC, or 24 VDC up to 125 VDC.
-  Apply only AC line voltage or only UL-Class 2 voltage to the terminals of auxiliary switches. Mixed or combined operation of line voltage/safety extra low voltage is not allowed.
-  Meets cULus requirements without the need of an electrical ground connection.
-  Provide overload protection and disconnect as required.
-  Actuators may also be powered by DC 24 V.
-  Actuators may be powered in parallel. Power consumption must be observed.
-  Parallel wiring required for piggy-back applications.

Wiring diagrams

On/Off

24 to 240 VAC

