

ANSI-Flanged Globe Valves

- chilled or hot water, up to 60% glycol, steam
- ANSI Class 250, up to 280 psi below 350°F
- 250
- Cast iron - ASTM A126 Class B



5-year warranty

Type overview

| | |
|-------------|-----------|
| Type | DN |
| G6125C-250 | 125 |

Technical data

| | | |
|---------------------------|-----------------------------------|---|
| Functional data | Valve size [mm] | 5" [125] |
| | Fluid | chilled or hot water, up to 60% glycol, steam |
| | Fluid Temp Range (water) | 32...350°F [0...176°C] |
| | Fluid Temp Range (steam) | 32...280°F [0...138°C] |
| | Body Pressure Rating | ANSI Class 250, up to 280 psi below 350°F |
| | Flow characteristic | equal percentage |
| | Leakage rate | ANSI Class III |
| | Pipe connection | Flange for use with ASME/ANSI class 250 |
| | Servicing | repack/rebuild kits available |
| | Rangeability Sv | 100:1 |
| | Max Differential Pressure (Steam) | 15 psi [103 kPa] |
| | Flow Pattern | 2-way |
| | Controllable flow range | stem up - open A – AB |
| | Cv | 263 |
| | Maximum Inlet Pressure (Steam) | 35 psi [241 kPa] |
| | Materials | Valve body |
| Valve plug | | bronze |
| Stem | | stainless steel |
| Stem seal | | NLP EPDM (no lip packing) |
| Seat | | Stainless steel AISI 316 |
| Suitable actuators | Non Fail-Safe | EVB(X) |
| | Spring | 2*AFB(X) |
| | Electronic fail-safe | AVKB(X) |

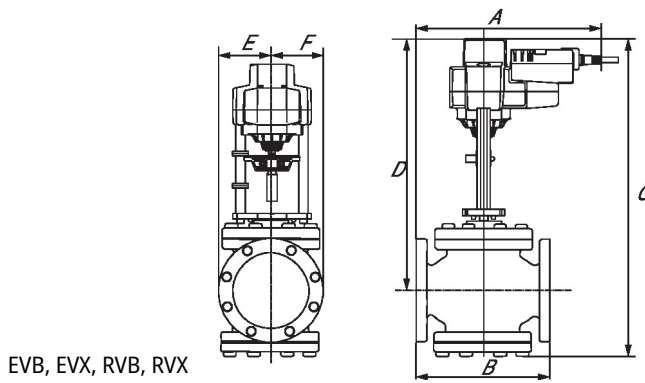
Safety notes



- **WARNING:** This product can expose you to lead which is known to the State of California to cause cancer and reproductive harm. For more information go to www.p65warnings.ca.gov
- The valve has been designed for use in stationary heating, ventilation and air-conditioning systems and must not be used outside the specified field of application, especially in aircraft or in any other airborne means of transport.
- Only authorized specialists may carry out installation. All applicable legal or institutional installation regulations must be complied with during installation.
- The valve does not contain any parts that can be replaced or repaired by the user.
- When determining the flow rate characteristic of controlled devices, the recognised directives must be observed.

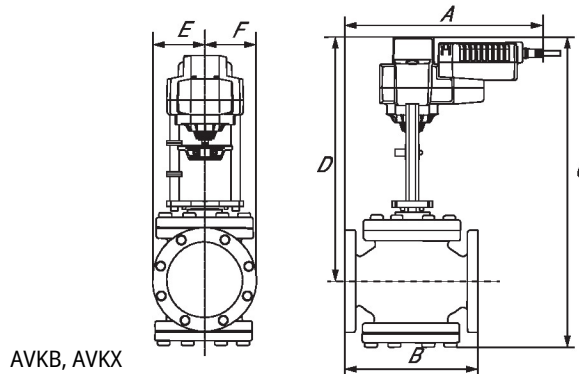
Dimensions

| Type | DN | Weight |
|------------|-----|----------------|
| G6125C-250 | 125 | 150 lb [67 kg] |



EVB, EVX, RVB, RVX

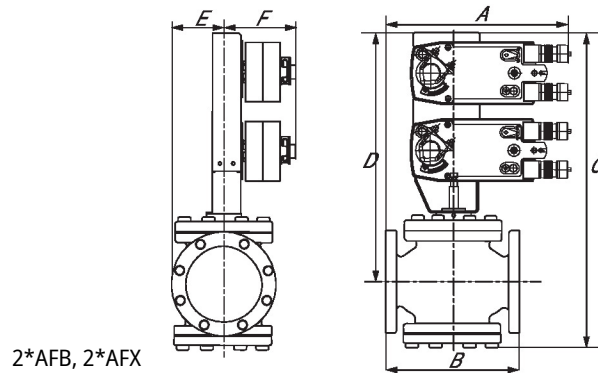
| A | B | C | D | E | F | Number of Bolt Holes |
|-------------|-------------|-------------|-------------|------------|------------|----------------------|
| 16.6" [422] | 15.5" [394] | 25.4" [646] | 17.5" [445] | 5.5" [140] | 5.5" [140] | 8 |



AVKB, AVKX

| A | B | D | E | F | Number of Bolt Holes |
|-------------|-------------|-------------|------------|------------|----------------------|
| 15.5" [394] | 16.6" [422] | 17.5" [445] | 5.5" [140] | 5.5" [140] | 8 |

Dimensions



| A | B | C | D | E | F | Number of Bolt Holes |
|-------------|-------------|-------------|-------------|------------|-------------|----------------------|
| 15.3" [388] | 16.6" [422] | 29.0" [736] | 21.5" [546] | 5.0" [127] | 29.6" [752] | 8 |

MFT/programmable, Non fail-safe, 24 V



5-year warranty


Technical data

| | | |
|------------------------|------------------------------------|--|
| Electrical data | Nominal voltage | AC/DC 24 V |
| | Nominal voltage frequency | 50/60 Hz |
| | Nominal voltage range | AC 19.2...28.8 V / DC 21.6...28.8 V |
| | Power consumption in operation | 5 W |
| | Power consumption in rest position | 1.5 W |
| | Transformer sizing | 7.5 VA |
| | Electrical Connection | 18 GA plenum cable, 1 m, with 1/2" NPT conduit connector, degree of protection NEMA 2 / IP54 |
| | Overload Protection | electronic throughout full stroke |
| | Electrical Protection | actuators are double insulated |
| Functional data | Actuating force motor | 2500 N [560 lbf] |
| | Operating range Y | 2...10 V |
| | Operating range Y note | 4...20 mA w/ ZG-R01 (500 Ω, 1/4 W resistor) |
| | Input impedance | 100 kΩ for 2...10 V (0.1 mA), 500 Ω for 4...20 mA, 1500 Ω for PWM, On/Off and Floating point |
| | Operating range Y variable | Start point 0.5...30 V End point 2.5...32 V |
| | Operating modes optional | variable (VDC, PWM, on/off, floating point) |
| | Position feedback U | 2...10 V |
| | Position feedback U note | Max. 0.5 mA |
| | Position feedback U variable | VDC variable |
| | Direction of motion motor | selectable with switch 0/1 |
| | Manual override | 5 mm hex crank (3/16" Allen), supplied |
| | Stroke | 2" [50 mm] |
| | Running Time (Motor) | 90 s / |
| | Running time motor variable | 90...150 s |
| | Noise level, motor | 60 dB(A) |
| Position indication | Mechanical, with pointer | |
| Safety data | Power source UL | Class 2 Supply |
| | Degree of protection IEC/EN | IP54 |
| | Degree of protection NEMA/UL | NEMA 2 |

Technical data

| | | |
|--------------------|---------------------|---|
| Safety data | Enclosure | UL Enclosure Type 2 |
| | Agency Listing | cULus acc. to UL60730-1A/-2-14, CAN/CSA E60730-1:02 CE acc. to 2014/30/EU and 2014/35/EU |
| | Quality Standard | ISO 9001 |
| | UL 2043 Compliant | Suitable for use in air plenums per Section 300.22(C) of the NEC and Section 602 of the IMC |
| | Ambient humidity | Max. 95% RH, non-condensing |
| | Ambient temperature | -22...122°F [-30...50°C] |
| | Storage temperature | -40...176°F [-40...80°C] |
| | Servicing | maintenance-free |
| Weight | Weight | 11 lb [5.1 kg] |
| Materials | Housing material | Die cast aluminium and plastic casing |

Footnotes † Use flexible metal conduit. Push the listed conduit fitting device over the actuator's cable to butt against the enclosure. Screw in conduit connector. Jacket the actuators input wiring with listed flexible conduit. Properly terminate the conduit in a suitable junction box. Rated impulse Voltage 800V. Type of action 1. Control pollution degree 3.

Accessories

| Gateways | Description | Type |
|-------------------------------|---|-------------|
| | Gateway MP to BACnet MS/TP | UK24BAC |
| | Gateway MP to Modbus RTU | UK24MOD |
| | Gateway MP to LonWorks | UK24LON |
| Electrical accessories | Description | Type |
| | Belimo PC-Tool, Software for adjustments and diagnostics | MFT-P |
| | Auxiliary switch 2x SPDT for NG GV Actuators | S2A-GV |
| | Service tool, with ZIP-USB function, for programmable and communicative Belimo actuators, VAV controller and HVAC performance devices | ZTH US |
| Tools | Description | Type |
| | Connecting cable 10 ft [3 m], A: RJ11 6/4 ZTH EU, B: 3-pin Weidmüller and supply connection | ZK4-GEN |
| | Service tool, with ZIP-USB function, for programmable and communicative Belimo actuators, VAV controller and HVAC performance devices | ZTH US |

Electrical installation
INSTALLATION NOTES

- Actuators may be connected in parallel. Power consumption and input impedance must be observed.
- Actuators may also be powered by DC 24 V.
- A 500 Ω resistor (ZG-R01) converts the 4...20 mA control signal to 2...10 V.
- Control signal may be pulsed from either the Hot (Source) or Common (Sink) 24 V line.
- For triac sink the common connection from the actuator must be connected to the hot connection of the controller. Contact closures A & B also can be triacs. A & B should both be closed for the triac source and open for triac sink.
- Actuators with plenum cable do not have numbers; use color codes instead.
- Meets cULus requirements without the need of an electrical ground connection.

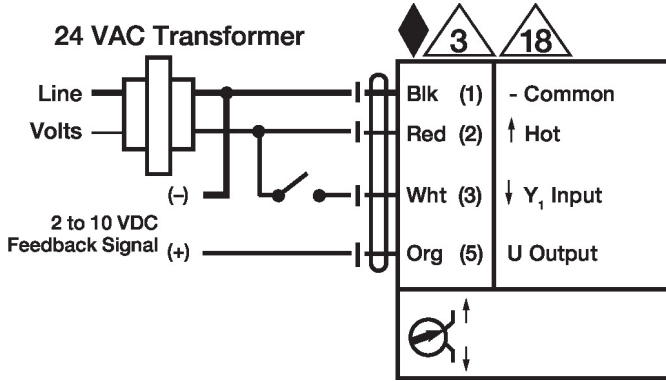
Electrical installation

Warning! Live electrical components!

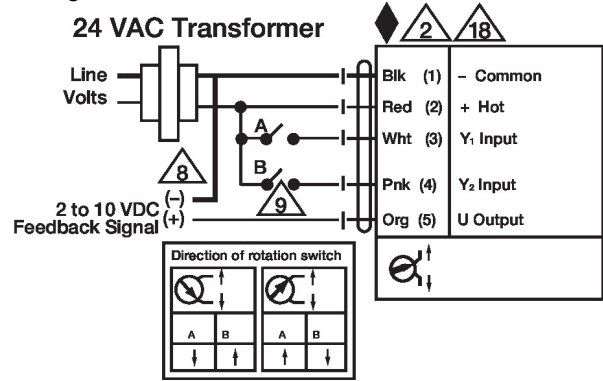
During installation, testing, servicing and troubleshooting of this product, it may be necessary to work with live electrical components. Have a qualified licensed electrician or other individual who has been properly trained in handling live electrical components perform these tasks. Failure to follow all electrical safety precautions when exposed to live electrical components could result in death or serious injury.

Wiring diagrams

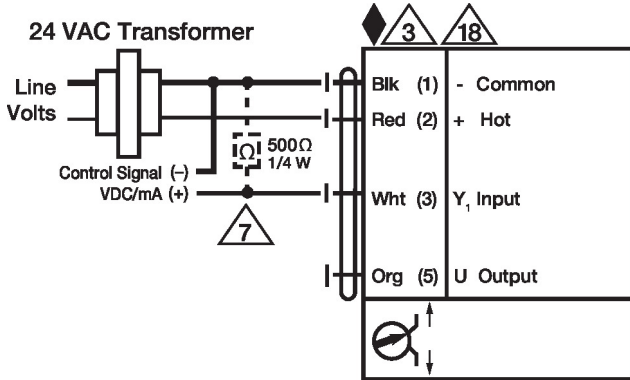
On/Off



Floating Point



VDC / 4 to 20 mA



Override Control Min, Mid, Max Positions

