



5-year warranty



## Technical data

|                           |                                   |   |
|---------------------------|-----------------------------------|---|
| <b>Functional data</b>    | Valve Size                        | 4" [100]                                      |
|                           | Fluid                             | chilled or hot water, up to 60% glycol, steam |
|                           | Fluid Temp Range (water)          | 32...350°F [0...176°C]                        |
|                           | Fluid Temp Range (steam)          | 32...338°F [0...170°C]                        |
|                           | Body Pressure Rating              | ANSI Class 250, up to 280 psi below 350°F     |
|                           | Flow characteristic               | equal percentage                              |
|                           | Servicing                         | repack/rebuild kits available                 |
|                           | Rangeability Sv                   | 98:1  |
|                           | Max Differential Pressure (Steam) | 50 psi [345 kPa]                              |
|                           | Flow Pattern                      | 2-way   |
|                           | Leakage rate                      | ANSI Class III                                |
|                           | Controllable flow range           | stem up - open A – AB                         |
|                           | Cv                                | 170   |
|                           | Maximum Inlet Pressure (Steam)    | 100 psi [690 kPa]                             |
|                           | ANSI Class                        | 250   |
|                           | Body pressure rating note         | up to 280 psi below 350°F                     |
| <b>Materials</b>          | Valve body                        | Cast iron - ASTM A126 Class B                 |
|                           | Valve plug                        | Stainless steel                               |
|                           | Stem seal                         | NLP EPDM (no lip packing)                     |
|                           | Seat                              | Stainless steel AISI 316                      |
|                           | Pipe connection                   | 250 lb flanged                                |
| <b>Suitable actuators</b> | Non-Spring                        | EVB(X)  |
|                           | Electronic fail-safe              | AVKB(X)                                       |

## Safety notes



- **WARNING:** This product can expose you to lead which is known to the State of California to cause cancer and reproductive harm. For more information go to [www.p65warnings.ca.gov](http://www.p65warnings.ca.gov)
- The valve has been designed for use in stationary heating, ventilation and air-conditioning systems and must not be used outside the specified field of application, especially in aircraft or in any other airborne means of transport.
- Only authorised specialists may carry out installation. All applicable legal or institutional installation regulations must be complied during installation.
- The valve does not contain any parts that can be replaced or repaired by the user.
- When determining the flow rate characteristic of controlled devices, the recognised directives must be observed.

## Product features

Flow/Mounting details



Dimensions

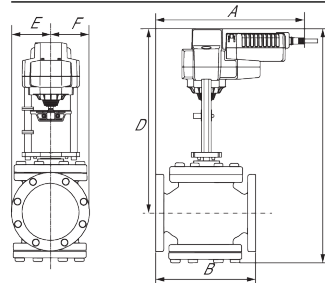
Dimensional drawings

EVB, EVX, RVB, RVX



| A           | B           | D           | E          | F          | Number of Bolt Holes |
|-------------|-------------|-------------|------------|------------|----------------------|
| 14.0" [356] | 13.6" [346] | 19.8" [502] | 5.0" [127] | 5.0" [127] | 8                    |

AVKB, AVKX



| A           | B           | C           | D           | E          | F          | Number of Bolt Holes |
|-------------|-------------|-------------|-------------|------------|------------|----------------------|
| 14.0" [356] | 13.6" [346] | 24.6" [626] | 19.8" [502] | 5.0" [127] | 5.0" [127] | 8                    |



5-year warranty



Technical data

|                        |                                    |   |
|------------------------|------------------------------------|---|
| <b>Electrical data</b> | Nominal voltage                    | AC 24 V   |
|                        | Nominal voltage frequency          | 50/60 Hz  |
|                        | Power consumption in operation     | 5 W   |
|                        | Power consumption in rest position | 2 W   |
|                        | Transformer sizing                 | 9.5 VA (class 2 power source)   |
|                        | Electrical Connection              | 18 GA plenum cable, 3 ft [1 m], with 1/2" conduit connector, degree of protection NEMA 2 / IP54 |
|                        | Overload Protection                | electronic throughout full stroke   |
|                        | Electrical Protection              | actuators are double insulated  |
| <b>Functional data</b> | Actuating force motor              | 450 lbf [2000 N]  |
|                        | Input Impedance                    | 100 kΩ (0.1 mA), 500 Ω, 1000 Ω (on/off)   |
|                        | Position feedback U note           | No Feedback   |
|                        | Bridging time                      | 2 s delay before fail-safe activates  |
|                        | Pre-charging time                  | 5...20 s  |
|                        | Direction of motion motor          | selectable with switch  |
|                        | Direction of motion fail-safe      | reversible with switch  |
|                        | Manual override                    | 5 mm hex crank (3/16" Allen), supplied  |
|                        | Stroke                             | 1.25" [32 mm]   |
|                        | Running Time (Motor)               | 90 s, constant, independent of load   |
|                        | Running time motor note            | constant, independent of load   |
|                        | Running time fail-safe             | <35 s   |
|                        | Noise level, motor                 | 60 dB(A)  |
|                        | Noise level, fail-safe             | 60 dB(A)  |
| Position indication    | Mechanically, with pointer         |   |
| <b>Safety data</b>     | Degree of protection IEC/EN        | IP54  |
|                        | Degree of protection NEMA/UL       | NEMA 2 UL Enclosure Type 2  |
|                        | Agency Listing                     | cULus acc. to UL60730-1A/-2-14, CAN/CSA E60730-1:02, CE acc. to 2014/30/EU and 2014/35/EU       |
|                        | Quality Standard                   | ISO 9001  |
|                        | Ambient temperature                | -22...122°F [-30...50°C]  |
|                        | Storage temperature                | -40...176°F [-40...80°C]  |
|                        | Ambient humidity                   | max. 95% r.H., non-condensing   |
|                        | Servicing                          | maintenance-free  |
| <b>Weight</b>          | Weight                             | 6.39 lb [2.9 kg]  |
| <b>Materials</b>       | Housing material                   | Die cast aluminium and plastic casing   |

Safety notes

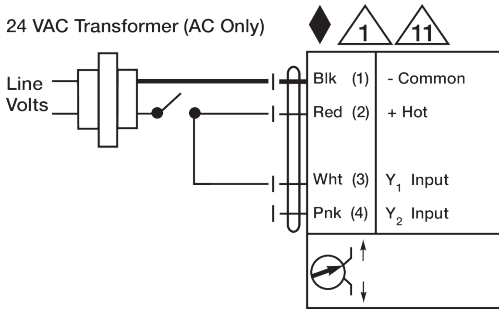


- PVC W'Shld for GV w/UGLK (GM)
- Battery Back Up System for SY(7~10)-110
- 120 to 24 VAC, 40 VA transformer.
- 50% voltage divider kit (resistors with wires).
- PC Tool computer programming interface, serial port.

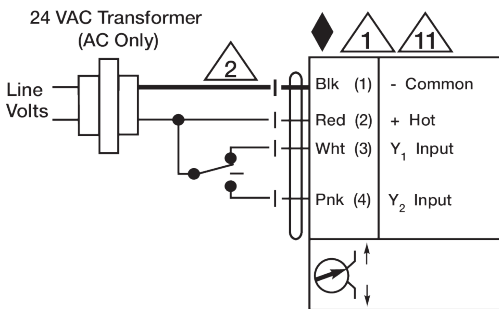
Electrical installation

**INSTALLATION NOTES**

- ◆ Meets cULus requirements without the need of an electrical ground connection.
- △1 Provide overload protection and disconnect as required.
- △2 Actuators may be connected in parallel. Power consumption and input impedance must be observed.
- △8 Control signal may be pulsed from either the Hot (Source) or Common (Sink) 24 V line.
- △11 Actuators may be connected in parallel if not mechanically linked. Power consumption and input impedance must be observed.
- △18 Actuators with plenum cable do not have numbers; use color codes instead.
- △! **Warning! Live Electrical Components!**  
During installation, testing, servicing and troubleshooting of this product, it may be necessary to work with live electrical components. Have a qualified licensed electrician or other individual who has been properly trained in handling live electrical components perform these tasks. Failure to follow all electrical safety precautions when exposed to live electrical components could result in death or serious injury.



On/Off



Floating Point