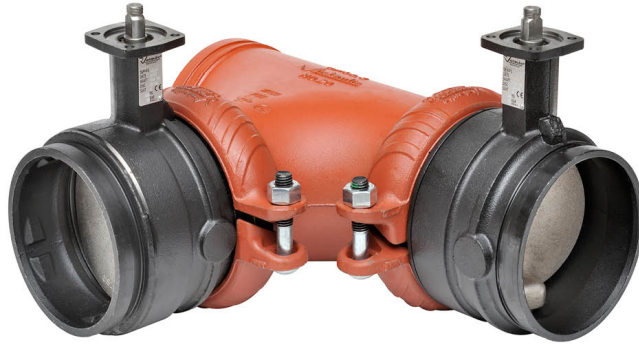
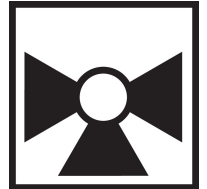


## Butterfly Valve with Grooved types

- Disc electroless nickel coated ductile iron
- Bubble tight shut-off
- Resilient seat
- Valve face-to-face dimensions comply with AWWA (c606) & MSS-SP-67
- Completely assembled and tested, ready for installation
- VIC-300 Masterseal is manufactured by the Victaulic Company.



5-year warranty



## Type overview

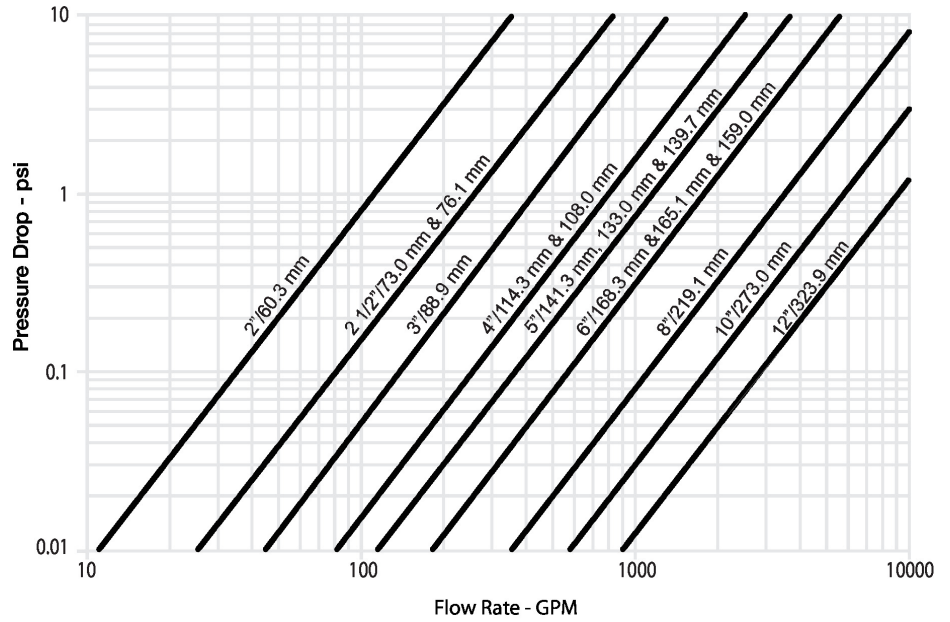
Type	DN
F750VIC	50

## Technical data

<b>Functional data</b>	Valve size [mm]	2" [50]
	Fluid	chilled or hot water, up to 60% glycol
	Fluid Temp Range (water)	-30...120°C [-22...250°F]
	Body Pressure Rating	ANSI Class Grooved AWWA, 300 psi
	Flow characteristic	modified linear
	Leakage rate	0%
	Pipe connection	Grooved ANSI/AWWA (c606)
	Servicing	maintenance-free
	Flow Pattern	3-way Mixing/Diverting
	Controllable flow range	90° rotation
	Cv	115
	Maximum Velocity	20 FPS
	<b>Materials</b>	Valve body
Body finish		black alkyd enamel
Stem		416 stainless steel
Stem seal		fiberglass with TFE lining
Seat		EPDM
Disc		electroless nickel coated ductile iron
<b>Suitable actuators</b>	Non Fail-Safe	GMB(X)
	Spring	AF 2*AFB(X)

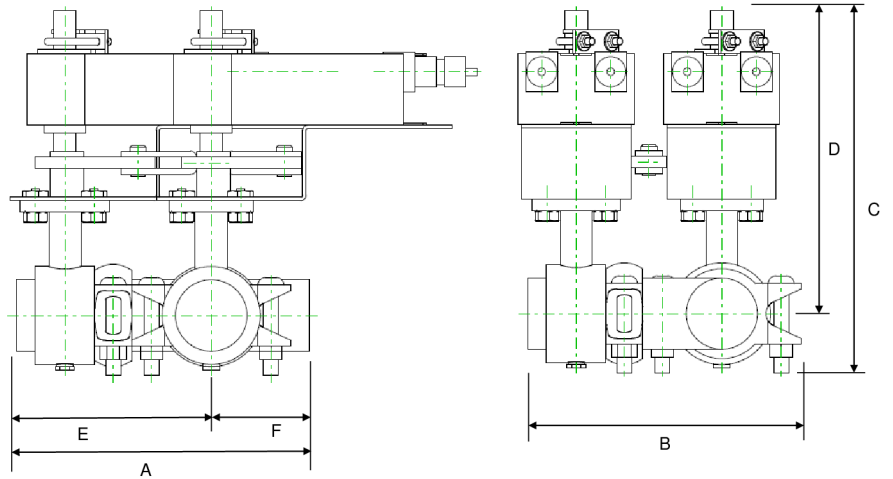
Product features

Flow/Mounting details



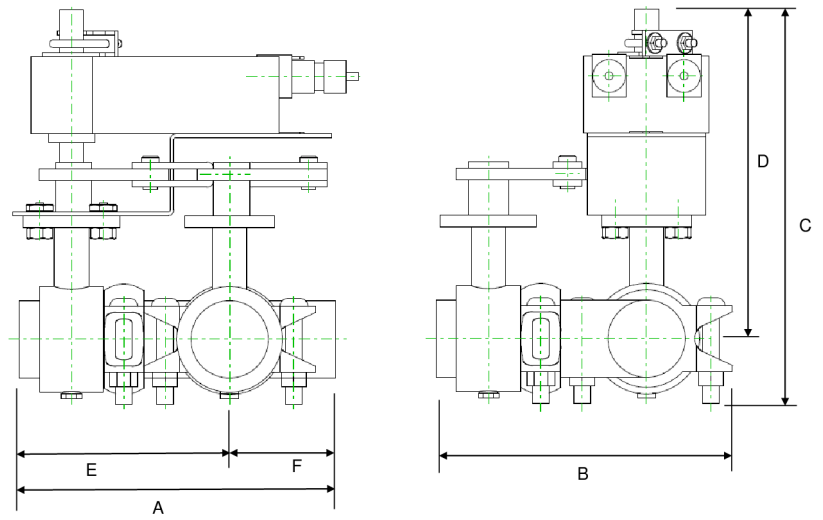
Dimensions

Type	DN	Weight
F750VIC	50	30 lb [14 kg]



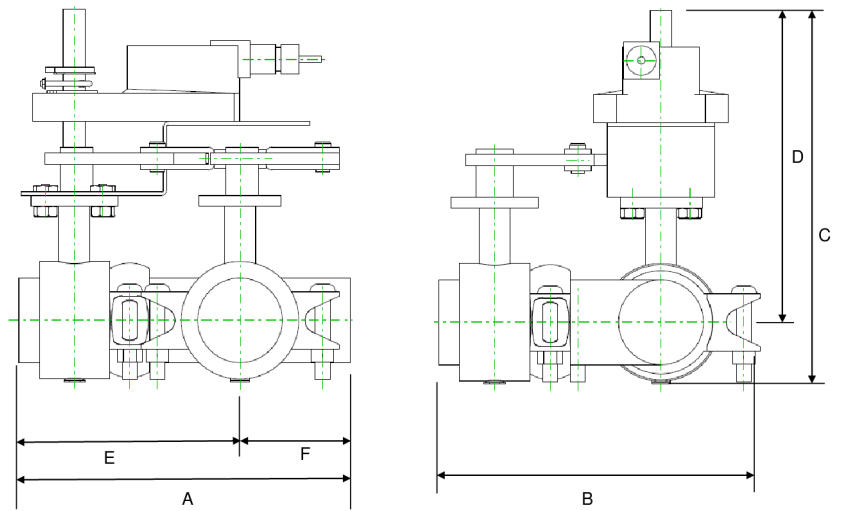
2AF

A	B	C	D	E	F
15.3" [388]	9.1" [231]	11.6" [294]	9.8" [248]	6.5" [165]	3.3" [85]



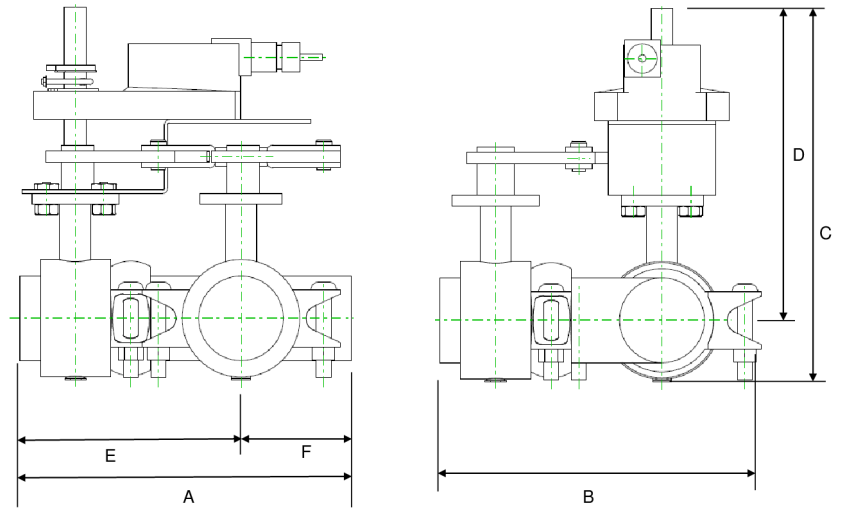
AF

A	B	C	D	E	F
10.4" [264]	9.1" [231]	11.9" [302]	10.1" [256]	6.5" [165]	3.3" [85]



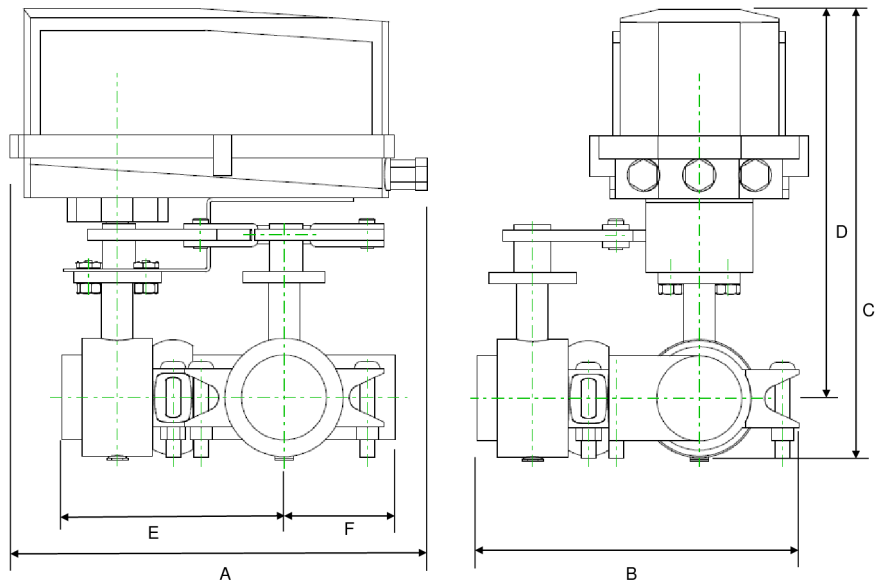
AM

A	B	C	D	E	F
9.7" [246]	9.1" [231]	11.9" [302]	10.1" [256]	6.5" [165]	3.3" [85]



GM

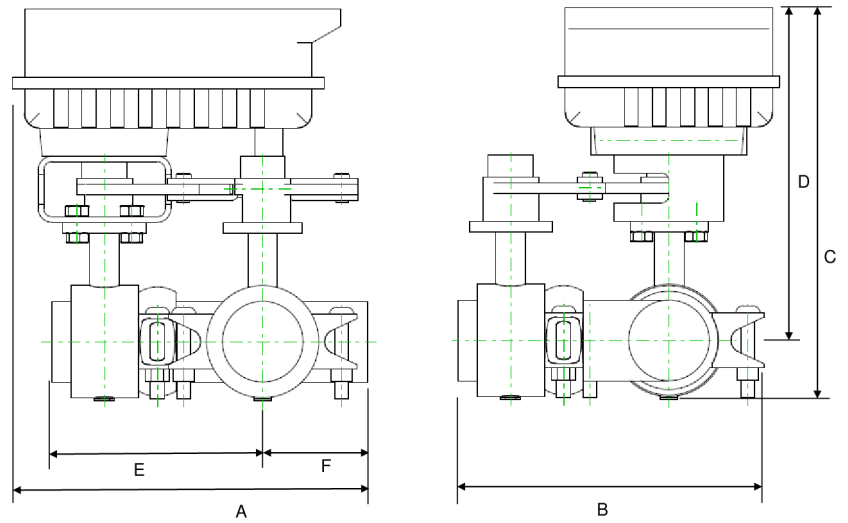
A	B	C	D	E	F
9.7" [246]	9.1" [231]	11.9" [302]	10.1" [256]	6.5" [165]	3.3" [85]



GM N4

A	B	C	D	E	F
14.1" [358]	9.1" [231]	14.5" [368]	12.7" [323]	6.5" [165]	3.3" [85]

Dimensions



PRB(X)

A	B	C	D	E	F
12.0" [304]	9.1" [231]	13.2" [335]	11.4" [290]	6.5" [165]	3.3" [85]



5-year warranty



Technical data

<b>Electrical data</b>	Nominal voltage	AC 100...240 V
	Nominal voltage frequency	50/60 Hz
	Nominal voltage range	AC 85...265 V
	Power consumption in operation	6 W
	Power consumption in rest position	2 W
	Electrical Connection	1/2" NPT conduit connector, screw terminals
	Overload Protection	electronic throughout 0...90° rotation
<b>Functional data</b>	Input impedance	500 Ω
	Position feedback U	2...10 V
	Position feedback U note	Max. 1 mA
	Direction of motion motor	selectable with switch 0/1
	Manual override	under cover
	Angle of rotation	90°
	Angle of rotation note	adjustable with mechanical stop
	Running Time (Motor)	35 s / 90°
	Running time motor note	constant, independent of load
	Noise level, motor	60 dB(A)
	Position indication	Mechanical, 5...20 mm stroke
<b>Safety data</b>	Degree of protection IEC/EN	IP66/67
	Degree of protection NEMA/UL	NEMA 4X
	Enclosure	UL Enclosure Type 4X
	Agency Listing	cULus acc. to UL60730-1A/-2-14, CAN/CSA E60730-1:02, CE acc. to 2014/30/EU and 2014/35/EU
	Quality Standard	ISO 9001
	Ambient humidity	Max. 100% RH
	Ambient temperature	-22...122°F [-30...50°C]
	Ambient temperature note	-40...50°C for actuator with integrated heating
	Storage temperature	-40...176°F [-40...80°C]
	Servicing	maintenance-free
<b>Weight</b>	Weight	7.5 lb [3.4 kg]
<b>Materials</b>	Housing material	Die cast aluminium and plastic casing

**Footnotes** †Rated Impulse Voltage 4kV, Type of action 1, Control Pollution Degree 3.

Accessories

Factory add-on option only	Description	Type
	Heater, with adjustable thermostat	ACT_PACK_H
	Heater, with adjustable thermostat	ACT_PACK_Y

Electrical installation

**Warning! Live electrical components!**  
 During installation, testing, servicing and troubleshooting of this product, it may be necessary to work with live electrical components. Have a qualified licensed electrician or other individual who has been properly trained in handling live electrical components perform these tasks. Failure to follow all electrical safety precautions when exposed to live electrical components could result in death or serious injury.

**INSTALLATION NOTES**

- ◆ Meets cULus requirements without the need of an electrical ground connection.
- ▲ Provide overload protection and disconnect as required.
- ▲ Actuators may be connected in parallel. Power consumption and input impedance must be observed.
- ▲ Only connect common to negative (-) leg of control circuits.
- ▲ A 500 Ω resistor (ZG-R01) converts the 4...20 mA control signal to 2...10 V.
- ▲ Actuators are provided with a numbered screw terminal strip instead of a cable.

Wiring diagrams

2...10 V / 4...20 mA Control AC 100...240 V

