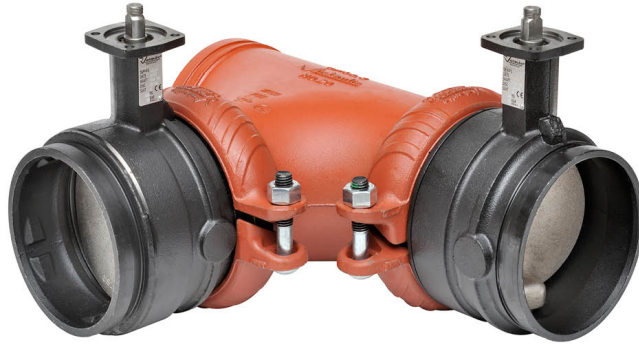
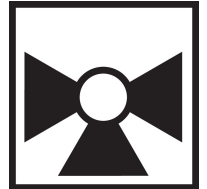


## Butterfly Valve with Grooved types

- Disc electroless nickel coated ductile iron
- Bubble tight shut-off
- Resilient seat
- Valve face-to-face dimensions comply with AWWA (c606) & MSS-SP-67
- Completely assembled and tested, ready for installation
- VIC-300 Masterseal is manufactured by the Victaulic Company.



5-year warranty



## Type overview

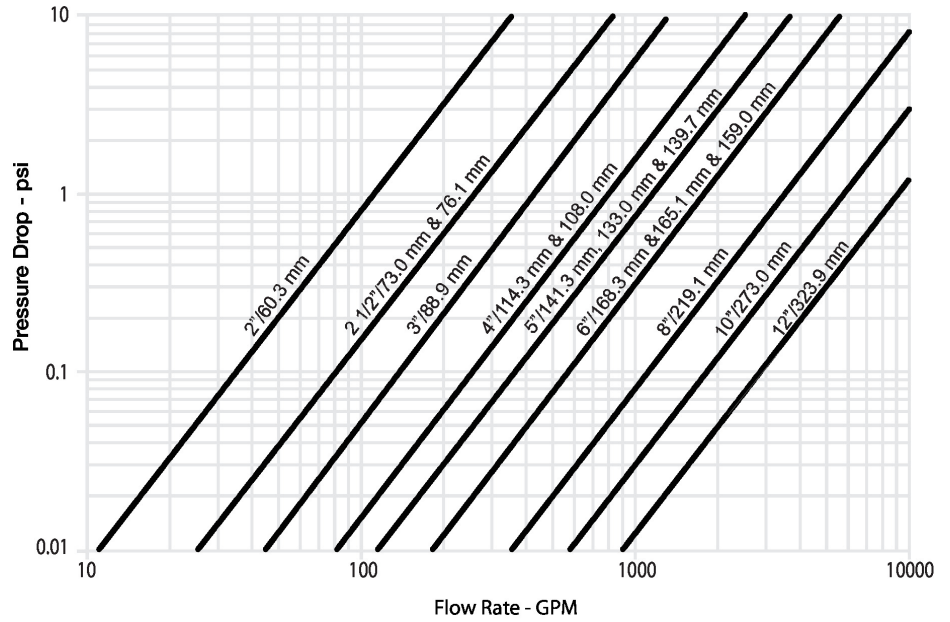
Type	DN
F750VIC	50

## Technical data

<b>Functional data</b>	Valve size [mm]	2" [50]
	Fluid	chilled or hot water, up to 60% glycol
	Fluid Temp Range (water)	-30...120°C [-22...250°F]
	Body Pressure Rating	ANSI Class Grooved AWWA, 300 psi
	Flow characteristic	modified linear
	Leakage rate	0%
	Pipe connection	Grooved ANSI/AWWA (c606)
	Servicing	maintenance-free
	Flow Pattern	3-way Mixing/Diverting
	Controllable flow range	90° rotation
	Cv	115
	Maximum Velocity	20 FPS
	<b>Materials</b>	Valve body
Body finish		black alkyd enamel
Stem		416 stainless steel
Stem seal		fiberglass with TFE lining
Seat		EPDM
Disc		electroless nickel coated ductile iron
<b>Suitable actuators</b>	Non Fail-Safe	GMB(X)
	Spring	AF 2*AFB(X)

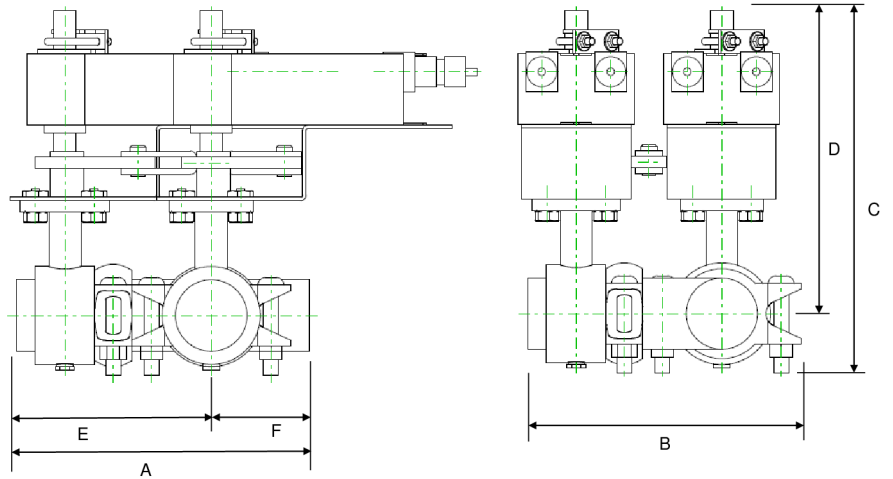
Product features

Flow/Mounting details



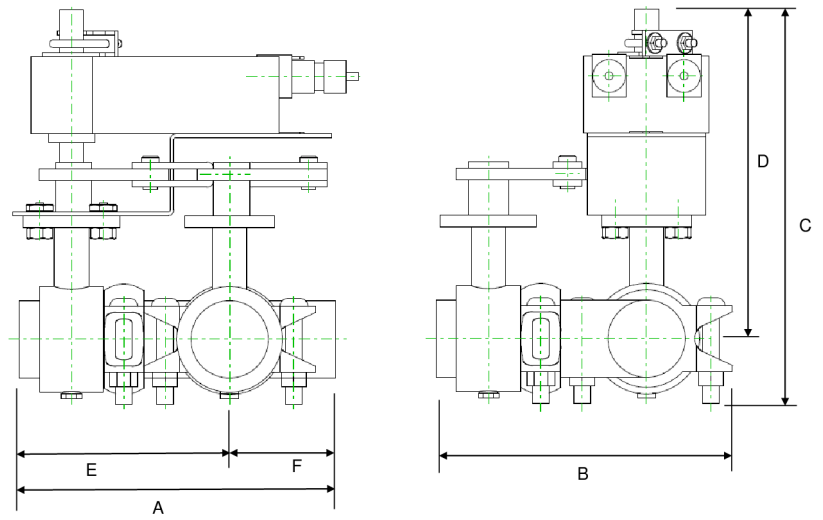
Dimensions

Type	DN	Weight
F750VIC	50	30 lb [14 kg]



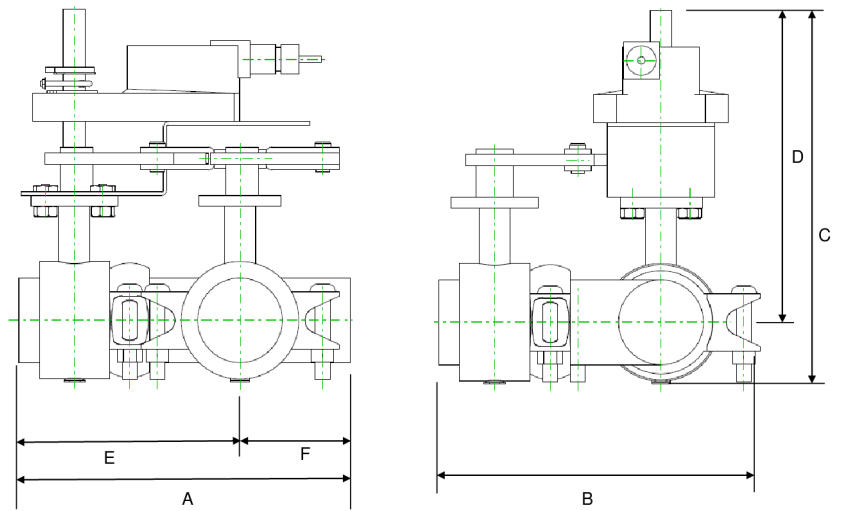
2AF

A	B	C	D	E	F
15.3" [388]	9.1" [231]	11.6" [294]	9.8" [248]	6.5" [165]	3.3" [85]



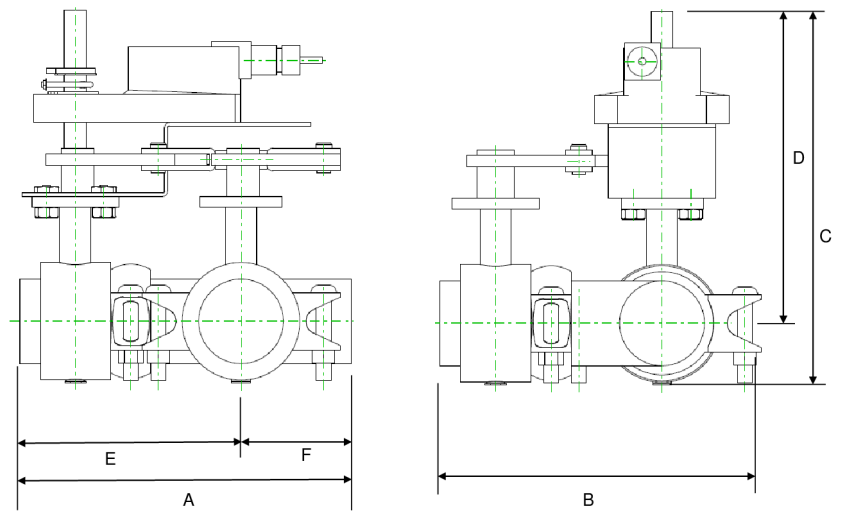
AF

A	B	C	D	E	F
10.4" [264]	9.1" [231]	11.9" [302]	10.1" [256]	6.5" [165]	3.3" [85]



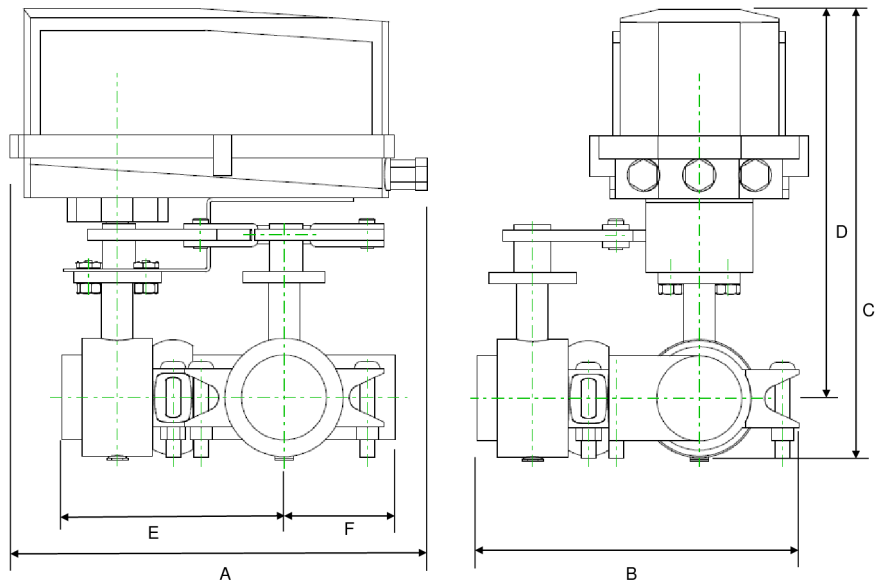
AM

A	B	C	D	E	F
9.7" [246]	9.1" [231]	11.9" [302]	10.1" [256]	6.5" [165]	3.3" [85]



GM

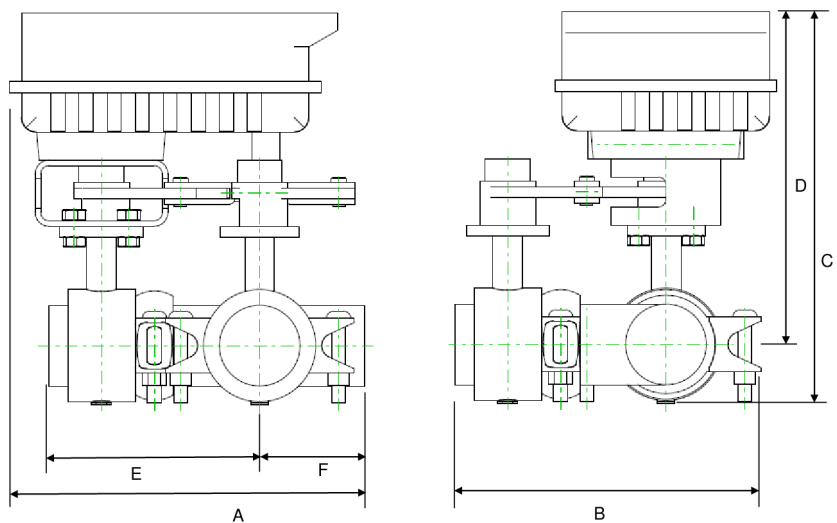
A	B	C	D	E	F
9.7" [246]	9.1" [231]	11.9" [302]	10.1" [256]	6.5" [165]	3.3" [85]



GM N4

A	B	C	D	E	F
14.1" [358]	9.1" [231]	14.5" [368]	12.7" [323]	6.5" [165]	3.3" [85]

Dimensions



PRB(X)

A	B	C	D	E	F
12.0" [304]	9.1" [231]	13.2" [335]	11.4" [290]	6.5" [165]	3.3" [85]

MFT/programmable, Spring return, 24 V



5-year warranty


**Technical data**

<b>Electrical data</b>	Nominal voltage	AC/DC 24 V	
	Nominal voltage frequency	50/60 Hz	
	Nominal voltage range	AC 19.2...28.8 V / DC 21.6...28.8 V	
	Power consumption in operation	7.5 W	
	Power consumption in rest position	3 W	
	Transformer sizing	20 VA	
	Electrical Connection	18 GA appliance cable, 1 m, 3 m, or 5 m with 1/2" NPT conduit connector, degree of protection NEMA 2 / IP54	
	Overload Protection	electronic throughout 0...95° rotation	
	<b>Functional data</b>	Operating range Y	2...10 V
		Operating range Y note	4...20 mA w/ ZG-R01 (500 Ω, 1/4 W resistor)
Input impedance		100 kΩ for 2...10 V (0.1 mA), 500 Ω for 4...20 mA, 1500 Ω for PWM, On/Off and Floating point	
Operating range Y variable		Start point 0.5...30 V End point 2.5...32 V	
Operating modes optional		variable (VDC, PWM, on/off, floating point)	
Position feedback U		2...10 V	
Position feedback U note		Max. 0.5 mA	
Position feedback U variable		VDC variable	
Direction of motion motor		selectable with switch 0/1	
Direction of motion fail-safe		reversible with cw/ccw mounting	
Manual override		5 mm hex crank (3/16" Allen), supplied	
Angle of rotation		95°	
Angle of rotation note		adjustable with mechanical end stop, 35...95°	
Running Time (Motor)		150 s / 90°	
Running time motor variable		70...220 s	
Running time fail-safe		<20 s	
Override control		MIN (minimum position) = 0% MID (intermediate position) = 50% MAX (maximum position) = 100%	
Noise level, motor		40 dB(A)	
Noise level, fail-safe		62 dB(A)	
Position indication		Mechanical	
<b>Safety data</b>	Power source UL	Class 2 Supply	

**Technical data**

<b>Safety data</b>	Degree of protection IEC/EN	IP54
	Degree of protection NEMA/UL	NEMA 2
	Enclosure	UL Enclosure Type 2
	Agency Listing	cULus acc. to UL60730-1A/-2-14, CAN/CSA E60730-1:02, CE acc. to 2014/30/EU
	Quality Standard	ISO 9001
	UL 2043 Compliant	Suitable for use in air plenums per Section 300.22(C) of the NEC and Section 602 of the IMC
	Ambient humidity	Max. 95% RH, non-condensing
	Ambient temperature	-22...122°F [-30...50°C]
	Storage temperature	-40...176°F [-40...80°C]
	Servicing	maintenance-free
<b>Weight</b>	Weight	□
<b>Materials</b>	Housing material	Galvanized steel and plastic housing

**Footnotes** \*Variable when configured with MFT options.




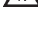
**Accessories**

<b>Gateways</b>	<b>Description</b>	<b>Type</b>
	Gateway MP to BACnet MS/TP	UK24BAC
	Gateway MP to Modbus RTU	UK24MOD
	Gateway MP to LonWorks	UK24LON
<b>Electrical accessories</b>	<b>Description</b>	<b>Type</b>
	Service tool, with ZIP-USB function, for programmable and communicative Belimo actuators, VAV controller and HVAC performance devices	ZTH US
<b>Tools</b>	<b>Description</b>	<b>Type</b>
	Connecting cable 10 ft [3 m], A: RJ11 6/4 ZTH EU, B: 3-pin Weidmüller and supply connection	ZK4-GEN
	Service tool, with ZIP-USB function, for programmable and communicative Belimo actuators, VAV controller and HVAC performance devices	ZTH US

**Electrical installation**

- Warning! Live electrical components!**  
During installation, testing, servicing and troubleshooting of this product, it may be necessary to work with live electrical components. Have a qualified licensed electrician or other individual who has been properly trained in handling live electrical components perform these tasks. Failure to follow all electrical safety precautions when exposed to live electrical components could result in death or serious injury.
- Actuators with appliance cables are numbered.
- Meets cULus requirements without the need of an electrical ground connection.
- Provide overload protection and disconnect as required.
- Actuators may also be powered by DC 24 V.
- Only connect common to negative (-) leg of control circuits.
- A 500 Ω resistor (ZG-R01) converts the 4...20 mA control signal to 2...10 V.
- Control signal may be pulsed from either the Hot (Source) or Common (Sink) 24 V line.

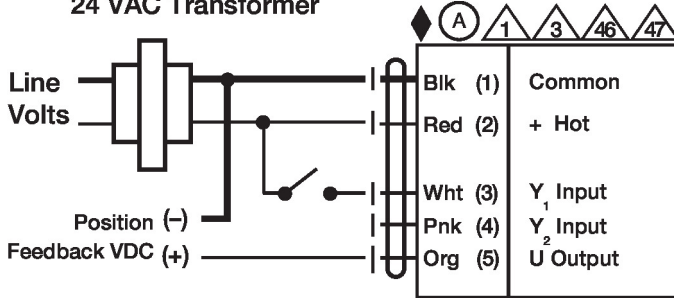
Electrical installation

-  For triac sink the Common connection from the actuator must be connected to the Hot connection of the controller. Position feedback cannot be used with a triac sink controller; the actuator internal common reference is not compatible.
-  IN4004 or IN4007 diode. (IN4007 supplied, Belimo part number 40155).
-  Actuators may be controlled in parallel. Current draw and input impedance must be observed.
-  Master-Slave wiring required for piggy-back applications. Feedback from Master to control input(s) of Slave(s).

Wiring diagrams

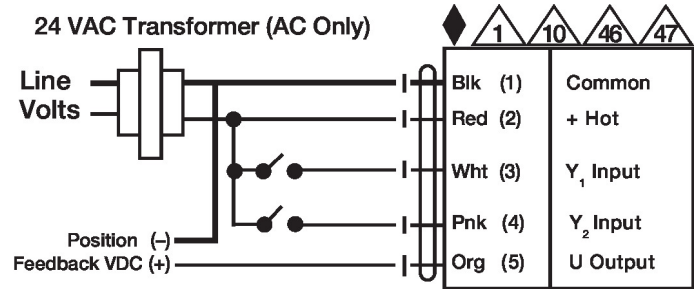
On/Off

24 VAC Transformer



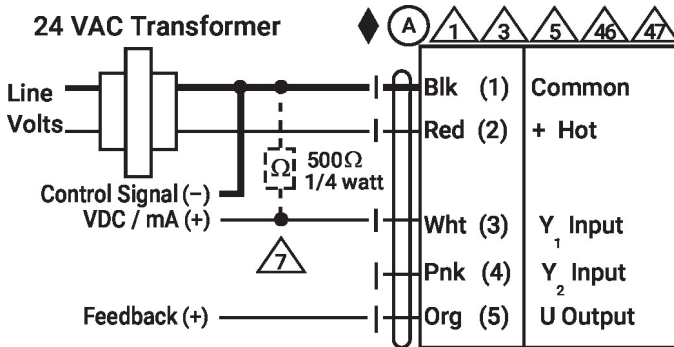
Floating Point

24 VAC Transformer (AC Only)



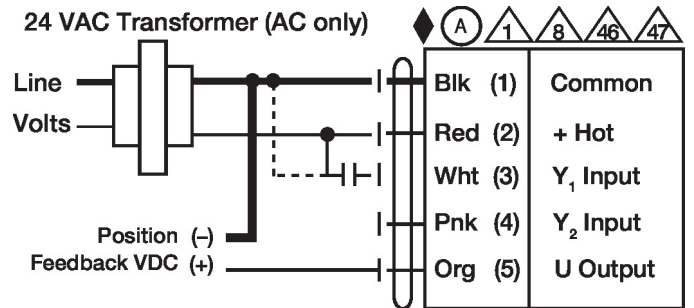
VDC/mA Control

24 VAC Transformer



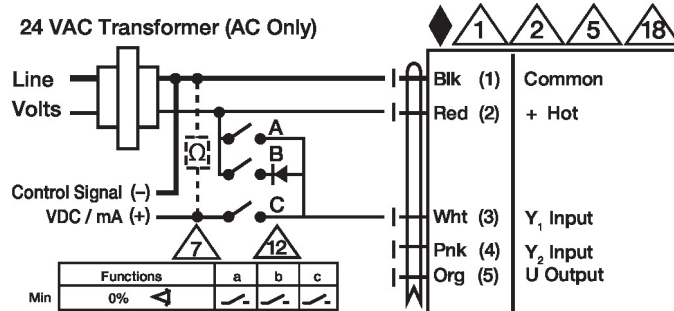
PWM Control

24 VAC Transformer (AC only)



Override Control

24 VAC Transformer (AC Only)



Functions	a	b	c
Min	0%		
Mid	50%		
Max	100%		
Normal	Control mode acc. to Y <sub>1</sub>		

Primary - Secondary

