

**Resilient Seat, 304 Stainless Steel Disc**
**Butterfly Valve with Lug types**

- Disc 304 stainless steel
- Bubble tight shut-off
- Resilient seat
- Valve face-to-face dimensions comply with API 609 & MSS-SP-67
- Completely assembled and tested, ready for installation



5-year warranty

**Type overview**

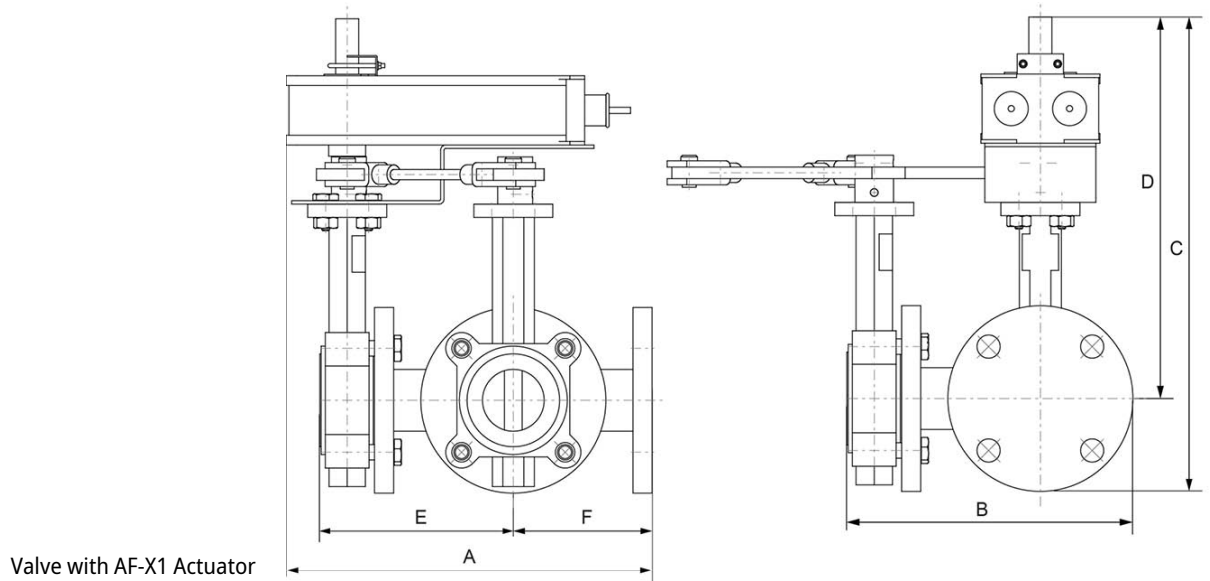
<b>Type</b>	<b>DN</b>
F750HD	50

**Technical data**

<b>Functional data</b>	Valve size [mm]	2" [50]
	Fluid	chilled or hot water, up to 60% glycol
	Fluid Temp Range (water)	-22...250°F [-30...120°C]
	Body Pressure Rating	ANSI Class Consistent with 125, 232 psi CWP
	Close-off pressure $\Delta$ ps	200 psi
	Flow characteristic	modified linear
	Servicing	maintenance-free
	Flow Pattern	3-way Mixing/Diverting
	Leakage rate	0%
	Controllable flow range	90° rotation
	Cv	115
	Maximum Velocity	12 FPS
	Lug threads	5/8-11 UNC
<b>Materials</b>	Valve body	Ductile cast iron ASTM A536
	Body finish	epoxy powder coating (blue RAL 5002)
	Stem	416 stainless steel
	Seat	EPDM
	Pipe connection	for use with ANSI class 125/150 flanges
	Bearing	RPTFE
	Disc	304 stainless steel
	Gear operator materials	Gears - hardened steel
<b>Suitable actuators</b>	Non-Spring	AMB(X) GMB(X)
	Spring	AFRB(X)

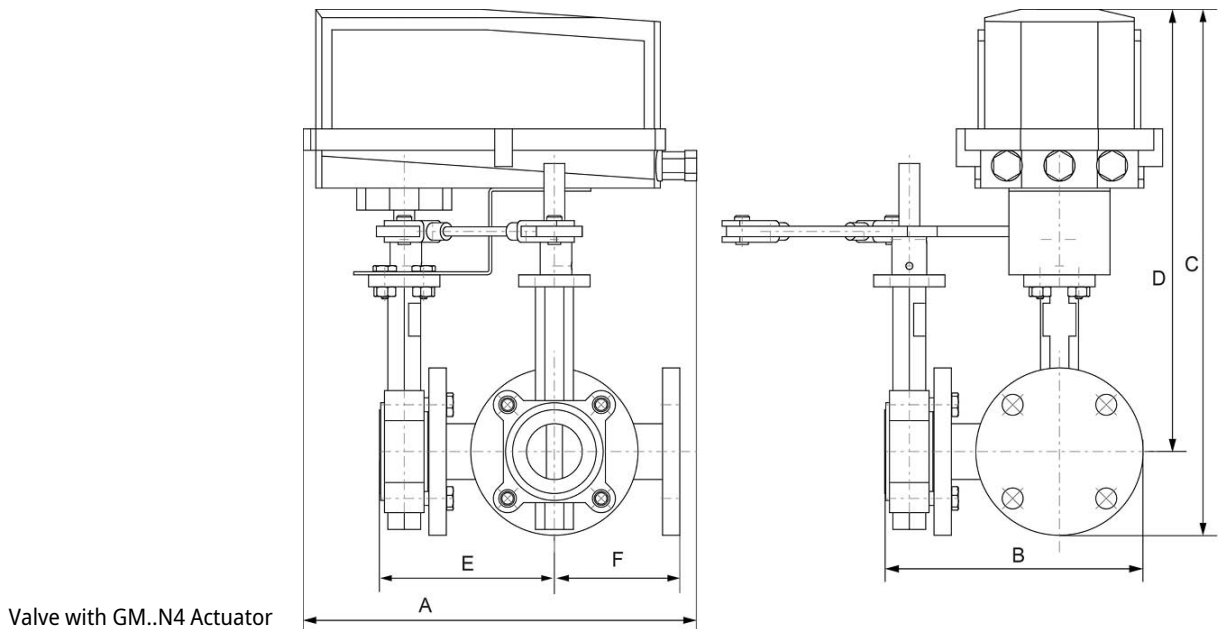
**Dimensions**

<b>Type</b>	<b>DN</b>	<b>Weight</b>
F750HD	50	30.1 lb [14 kg]



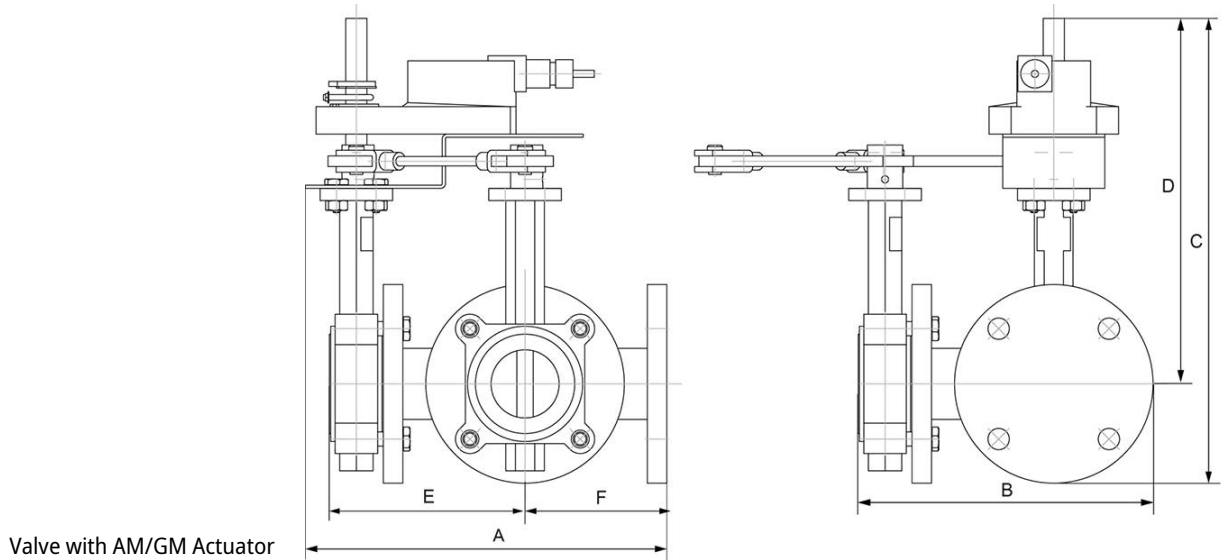
Valve with AF-X1 Actuator

A	B	C	D	E	F	Number of Bolt Holes
11.2" [284]	9.3" [235]	15.3" [389]	12.4" [315]	6.3" [160]	4.5" [114]	4



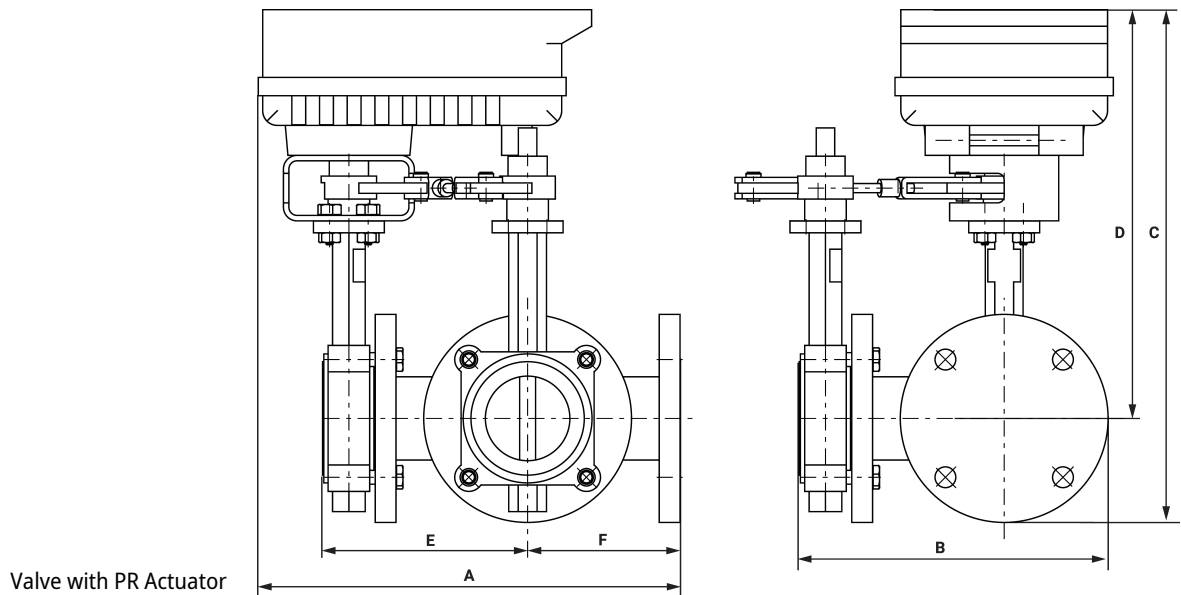
Valve with GM..N4 Actuator

A	B	C	D	E	F	Number of Bolt Holes
13.5" [343]	10.0" [254]	18.9" [480]	16.0" [406]	6.3" [160]	4.5" [114]	4



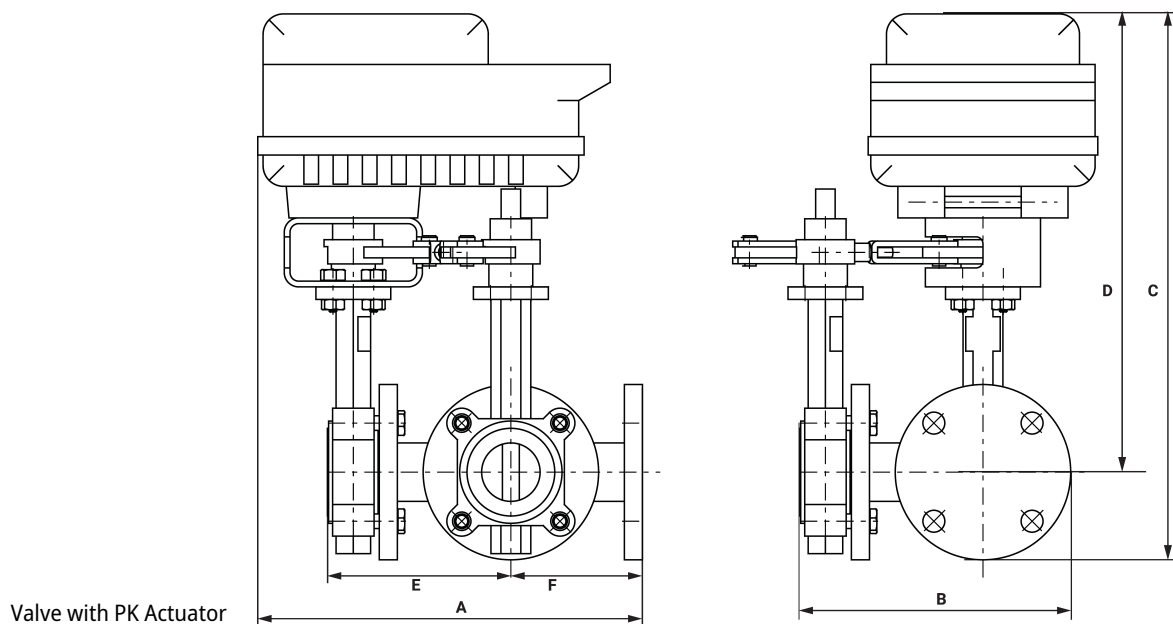
Valve with AM/GM Actuator

A	B	C	D	E	F	Number of Bolt Holes
11.0" [280]	9.3" [235]	15.3" [389]	12.4" [315]	6.3" [160]	4.5" [114]	4



Valve with PR Actuator

A	B	C	D	E	F	Number of Bolt Holes
13.1" [332]	10.2" [260]	17.0" [433]	13.9" [354]	6.3" [160]	4.5" [114]	4



A	B	C	D	E	F	Number of Bolt Holes
13.1" [332]	10.3" [262]	18.7" [476]	15.7" [399]	6.3" [160]	4.5" [114]	4



5-year warranty



Technical data

<b>Electrical data</b>	Nominal voltage	AC 24...240 V / DC 24...125 V
	Nominal voltage frequency	50/60 Hz
	Nominal voltage range	AC 19.2...264 V / DC 21.6...137.5 V
	Power consumption in operation	7 W
	Power consumption in rest position	3.5 W
	Transformer sizing	18 VA
	Electrical Connection	18 GA appliance cable, 1 m, with 1/2" conduit connector
	Overload Protection	electronic throughout 0...95° rotation
<b>Functional data</b>	Direction of motion motor	selectable by ccw/cw mounting
	Direction of motion fail-safe	reversible with cw/ccw mounting
	Manual override	5 mm hex crank (3/16" Allen), supplied
	Angle of rotation	95°
	Running Time (Motor)	75 s / 90°
	Running time fail-safe	<20 s
	Noise level, motor	50 dB(A)
	Noise level, fail-safe	62 dB(A)
Position indication	Mechanical	
<b>Safety data</b>	Power source UL	Class 2 Supply
	Degree of protection IEC/EN	IP54
	Degree of protection NEMA/UL	NEMA 2
	Enclosure	UL Enclosure Type 2
	Agency Listing	cULus acc. to UL60730-1A/-2-14, CAN/CSA E60730-1:02 CE acc. to 2014/30/EU and 2014/35/EU
	Quality Standard	ISO 9001
	UL 2043 Compliant	Suitable for use in air plenums per Section 300.22(C) of the NEC and Section 602 of the IMC
	Ambient humidity	Max. 95% RH, non-condensing
	Ambient temperature	-22...122°F [-30...50°C]
	Storage temperature	-40...176°F [-40...80°C]
Servicing	maintenance-free	
<b>Weight</b>	Weight	4.6 lb [2.1 kg]
<b>Materials</b>	Housing material	Galvanized steel and plastic housing

**Footnotes** †Rated Impulse Voltage 4kV, Type of action 1.AA, Control Pollution Degree 3.

Electrical installation

- ⚠ **Warning! Live electrical components!**  
During installation, testing, servicing and troubleshooting of this product, it may be necessary to work with live electrical components. Have a qualified licensed electrician or other individual who has been properly trained in handling live electrical components perform these tasks. Failure to follow all electrical safety precautions when exposed to live electrical components could result in death or serious injury.
- Ⓢ Universal Power Supply (UP) models can be supplied with 24 VAC up to 240 VAC, or 24 VDC up to 125 VDC.
- Ⓐ Actuators with appliance cables are numbered.
- ⚠ Apply only AC line voltage or only UL-Class 2 voltage to the terminals of auxiliary switches. Mixed or combined operation of line voltage/safety extra low voltage is not allowed.
- ◆ Meets cULus requirements without the need of an electrical ground connection.
- ⚠ Provide overload protection and disconnect as required.
- ⚠<sub>45</sub> Actuators may be powered in parallel. Power consumption must be observed.
- ⚠<sub>48</sub> Parallel wiring required for piggy-back applications.

**Wiring diagrams**

On/Off

24 to 240 VAC

