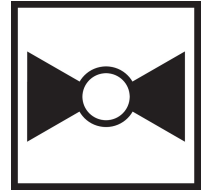




5-year warranty



Type overview

Type	DN
F6350-150SHP	350

Technical data

<b>Functional data</b>	Valve size [mm]	14" [350]
	Fluid	chilled or hot water, up to 60% glycol, steam
	Fluid Temp Range (water)	-22...400°F [-30...204°C]
	Body Pressure Rating	ANSI Class 150
	Flow characteristic	modified equal percentage, unidirectional
	Servicing	maintenance-free
	Flow Pattern	2-way
	Leakage rate	0%
	Controllable flow range	quarter turn, mechanically limited
	Cv	6857
	Maximum Inlet Pressure (Steam)	50 psi
	Maximum Velocity	32 FPS
	Lug threads	1-8 UNC
	<b>Materials</b>	Valve body
Stem		17-4 PH stainless steel
Seat		RPTFE
Pipe connection		ASME/ANSI class 150 flange
Bearing		glass backed PTFE
Disc		316 stainless steel
Gear operator materials		Gears - hardened steel
<b>Suitable actuators</b>	Non-Spring	SY5
		SY7

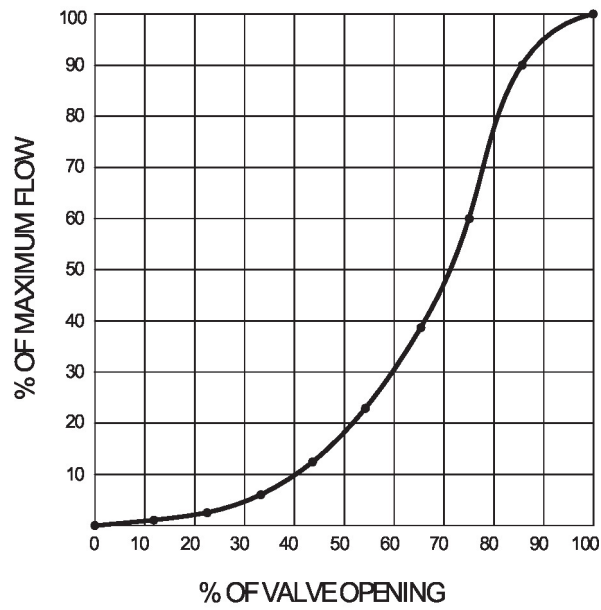
Safety notes



- WARNING: This product can expose you to lead which is known to the State of California to cause cancer and reproductive harm. For more information go to [www.p65warnings.ca.gov](http://www.p65warnings.ca.gov)

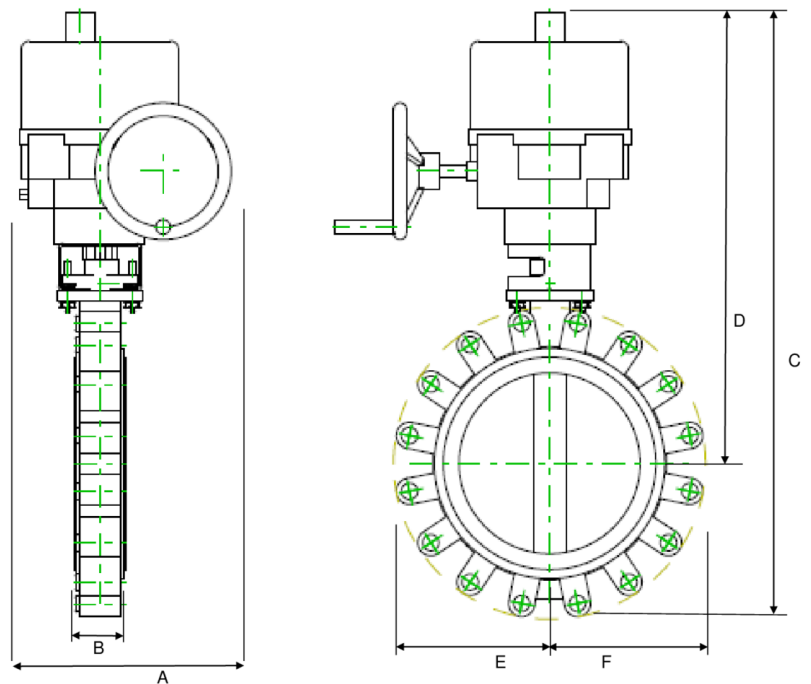
Product features

Flow/Mounting details

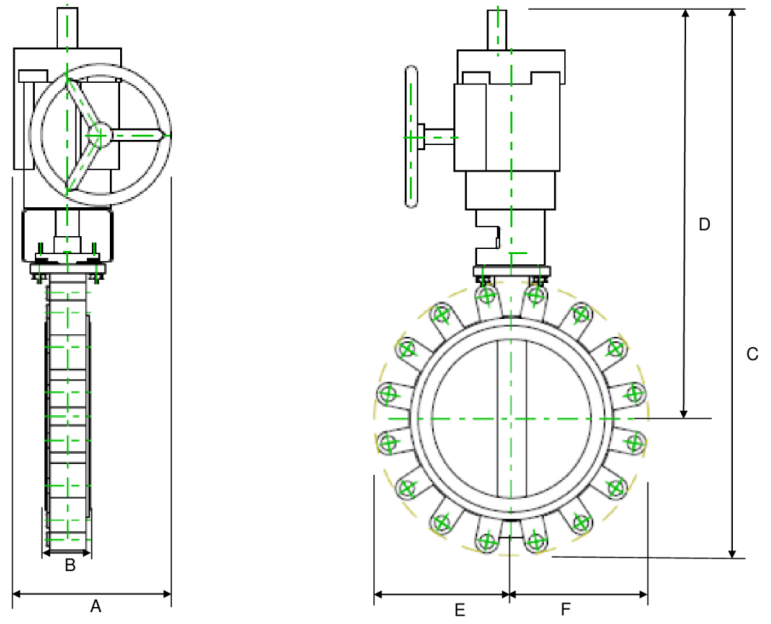


Dimensions

Type	DN	Weight
F6350-150SHP	350	190 lb [86 kg]



A	B	C	D	E	F	Number of Bolt Holes
11.5" [293]	3.6" [92]	38.5" [977]	27.5" [698]	10.4" [263]	10.4" [263]	12



A	B	C	D	E	F	Number of Bolt Holes
13.4" [340]	3.6" [92]	43.0" [1093]	33.0" [838]	10.4" [263]	10.4" [263]	12

On/Off, Floating point, Non fail-safe, 120 V



2-year warranty

**Technical data**

<b>Electrical data</b>	Nominal voltage	AC 120 V
	Nominal voltage frequency	50/60 Hz
	Nominal voltage range	AC 96...132 V
	Transformer sizing	504 VA
	Current consumption	4.2 A
	Auxiliary switch	2x SPDT, 1 mA...5 A (3 A inductive), DC 5 V...AC 250 V, 1 x 3° / 1 x 87°
	Switching capacity auxiliary switch	1 mA...5 A (3 A inductive), DC 5 V...AC 250 V
	Electrical Connection	Terminal blocks
	Overload Protection	thermally protected 135°C cut-out
	Internal Humidity Control	resistive heating element
<b>Functional data</b>	Torque motor	1000 Nm
	Direction of motion motor	selectable with switch 0/1
	Manual override	hand wheel
	Angle of rotation	90°
	Running Time (Motor)	50 s
	Duty cycle value	30%
	Noise level, motor	45 dB(A)
	Position indication	top mounted domed indicator
<b>Safety data</b>	Degree of protection IEC/EN	IP66/67
	Degree of protection NEMA/UL	NEMA 4X
	Enclosure	UL Enclosure Type 4X
	Agency Listing	ISO, CE, cCSAus
	Quality Standard	ISO 9001
	Ambient humidity	Max. 100% RH
	Ambient temperature	-22...149°F [-30...65°C]
	Storage temperature	-40...176°F [-40...80°C]
Servicing	maintenance-free	
<b>Weight</b>	Weight	46 lb [21 kg]
<b>Materials</b>	Housing material	die cast aluminium
	Gear train	high alloy steel gear sets, self locking

Product features

**Application** SY Series actuators are fractional horsepower devices, and utilize full-wave power supplies. Observe wire sizing and transformer sizing requirements. Proportional models CANNOT be connected to Belimo direct coupled (AF, AM, GM...etc) actuator power supplies or any type of half-wave device. You MUST use a separate, dedicated transformer or power supply to power the SY actuator. Please do not connect other automation equipment to the dedicated SY supply source. You MUST use four wires (plus a ground) to control a proportional control SY actuator (See SY Wiring Section).

Accessories

Electrical accessories	Description	Type
	Local electric disconnect for SY4...12 series actuator, AC 120 V, on/off	HOA-120V
	Battery backup system for SY7...12 series actuator, AC 120 V, on/off	EXT-NSV-B05-120

Electrical installation

**INSTALLATION NOTES**

- Do not change sensitivity or dip switch setting with power applied.
- Power supply Common/Neutral and Control Signal "-" wiring to a common is prohibited. Terminals 4 and 6 need to be wired separately.
- Isolation relays must be used in parallel connection of multiple actuators using a common control signal inputs. The relays should be DPDT.
- Isolation relays are required in parallel applications. The reason parallel applications need isolation relays is that the motor uses two sets of windings, one for each direction. When one is energized to turn the actuator in a specific direction a voltage is generated in the other due to the magnetic field created from the first. It's called back EMF. This is not an issue with one actuator because the voltage generated in the second winding isn't connected to anything so there is no flow. On parallel applications without isolation, this EMF voltage energizes the winding it is connected to on the other actuators in the system, the actuators are trying to turn in both directions at once. The EMF voltage is always less than the supply voltage due to the resistance of the windings, so while the actuator still turns in the commanded direction, the drag from the other reduces the torque output and causes overheating.
- Warning! Live electrical components!**  
During installation, testing, servicing and troubleshooting of this product, it may be necessary to work with live electrical components. Have a qualified licensed electrician or other individual who has been properly trained in handling live electrical components perform these tasks. Failure to follow all electrical safety precautions when exposed to live electrical components could result in death or serious injury.

Electrical installation

Wiring diagrams

AC/DC 110/120 or 220/230V

AC 110/120 or 220/230 V

