

Butterfly Valve with

- Bubble tight shut-off
- Resilient seat
- Valve face-to-face dimensions comply with API 609 & MSS-SP-67
- Completely assembled and tested, ready for installation



Picture may differ from product



5-year warranty

Type overview

Type	DN
F6100L	4" [100]

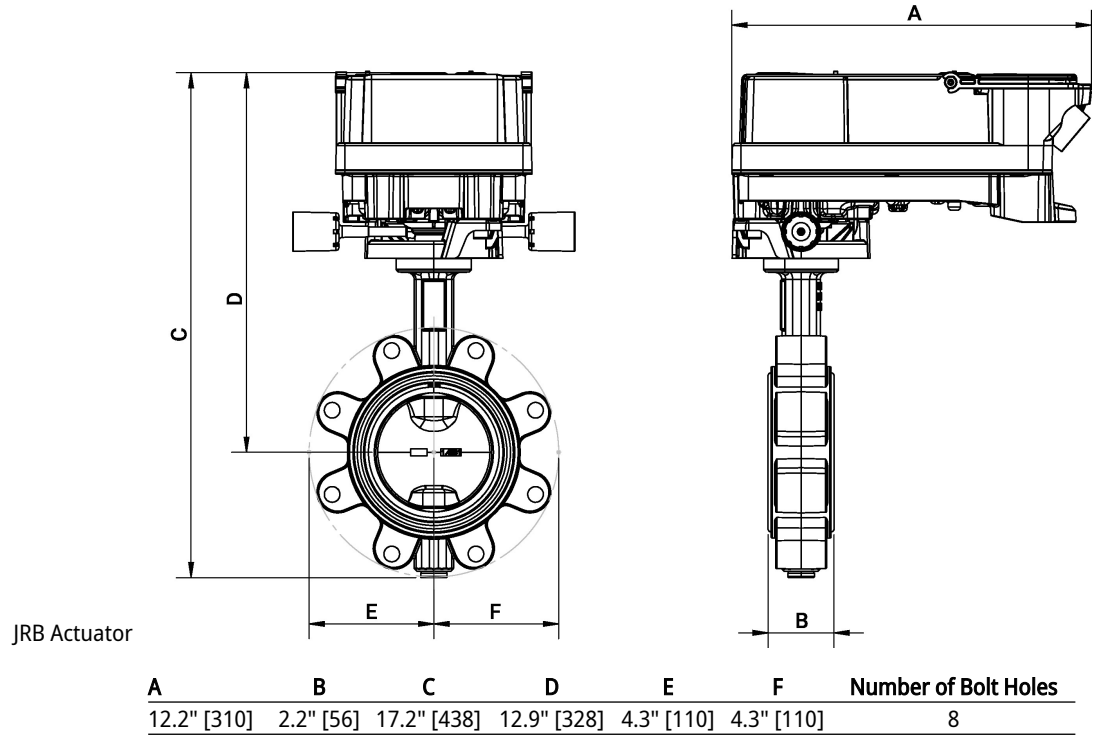
Technical data

Functional data	Fluid	Cold and warm water, water with glycol up to max. 60% vol.
	Fluid temperature	-22...250°F [-30...120°C]
	Body Pressure Rating	ANSI Class Consistent with 125, 232 psi CWP
	Close-off pressure Δps	200 psi
	Flow characteristic	equal percentage
	Leakage rate	0% leakage
	Pipe connection	Flange for use with ASME/ANSI class 125/150
	Servicing	maintenance-free
	Flow Pattern	2-way
	Controllable flow range	90° rotation
	Cv	798
	Maximum Velocity	12 FPS
	Lug threads	5/8-11 UNC
Materials	Valve body	Ductile cast iron GGG40
	Valve plug	Stainless steel AISI 304 (CF-8, 1.4308)
	Stem	Stainless steel AISI 420 (1.4021)
	Stem seal	EPDM O-ring
	Stem bearing	Bronze, steel, PTFE
	Seat	EPDM

Dimensions

Type	DN	Weight
F6100L	4" [100]	14.8 lb [6.7 kg]

Dimensions



Further documentation

- The complete product range for water applications
- Data sheets for actuators
- Installation instructions for actuators and/or butterfly valves
- General notes for project planning

Trade Selection by Belimo



Manual Handle and Worm Gear for Butterfly Valves

Applications

For manually operating D6... , EXT-D6... series butterfly valves.

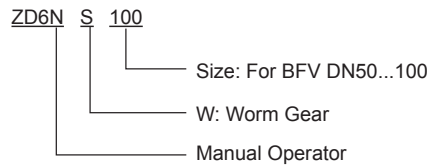
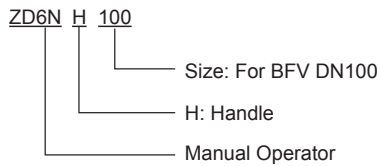


Technical data

Materials

Worm Gear	Gear train	Ductile cast iron and steel gear sets	
	Housing	ZD6N-S100~ZD6N-S150	Cast Aluminium
		ZD6N-S350~ZD6N-S600	Cast Iron
	Shaft	Steel 45	
	Hand wheel	Cast iron	
Handle	ZD6N-H100~ZD6N-H150		Cast Aluminium
Stop Plate	Steel		

Ordering sample



Combination table

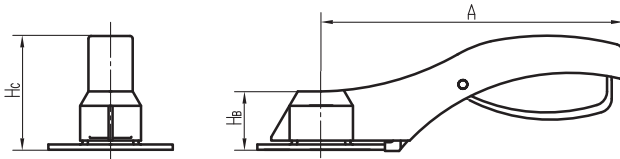
	D650N(L)	D665N(L)	D680N(L)	D6100N(L)	D6125N(L)	D6150N(L)	D6100W(L)	D6125W(L)	D6150W(L)	D6200W(L)	D6250W(L)	D6300W(L)	D6350N(L) / B(L)
ZD6N-H100													
ZD6N-H150													
ZD6N-S100													
ZD6N-S150													
ZD6N-S350													
ZD6N-S400													
ZD6N-S450													
ZD6N-S500													
ZD6N-S600													

	D6450N(L) / B(L)	D6500N(L) / B(L)	D6600N(L) / B(L)
ZD6N-H100			
ZD6N-H150			
ZD6N-S100			
ZD6N-S150			
ZD6N-S350			
ZD6N-S400			
ZD6N-S450			
ZD6N-S500			
ZD6N-S600			

Suitable combination

Dimensions [mm]

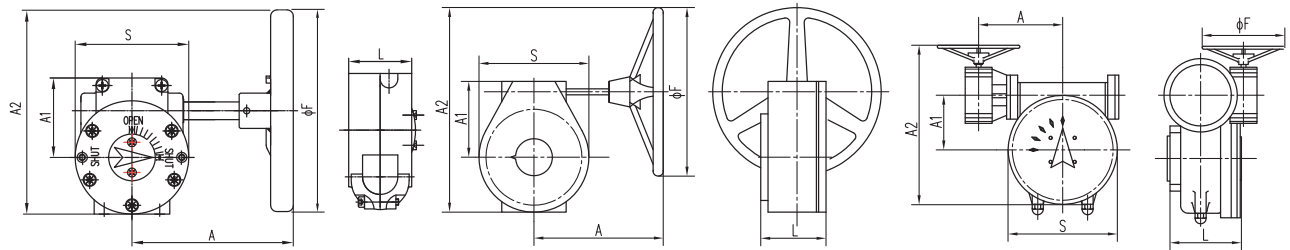
Manual Handle



ZD6-H100~ZD6-H150

Type	Top Flange	Dimensions [mm]			Weight (kg)
		A	H _B	H _C	
ZD6N-H100	F05, 14x14	170	32	64	0.50
ZD6N-H150	F07, 17x17	260	37	75	0.65

Worm Gear



Single-stage Worm Gear
ZD6N-S100 ~ ZD6N-S350

Single-stage Worm Gear
ZD6N-S400 ~ ZD6N-S450

Double-stage Worm Gear
ZD6N-S500 ~ ZD6N-S600

Type	Top flange	Dimensions [mm]						Speed Ratio	Weight (kg)
		A	A1	A2	L	S	øF		
ZD6N-S100	F05, 14x14	164.5	76	170	71	107	146	24:1	4.6
ZD6N-S150	F07, 17x17	164.5	76	170	71	107	146	24:1	4.6
ZD6N-S350	F10, 22x22	228	113	301.5	82	160	285	50:1	11.8
ZD6N-S400	F14, 36x36	260	155	439.5	98	254	385	80:1	16.5
ZD6N-S450	F14, 36x36	260	155	439.5	98	254	385	80:1	21.8
ZD6N-S500	F14, 36x36	280	110	390	124	220	285	560:1	34.5
ZD6N-S600	F16, 36x36	306	136	442	129	272	385	560:1	49