

**Butterfly Valve with**

- Bubble tight shut-off
- Resilient seat
- Valve face-to-face dimensions comply with API 609 & MSS-SP-67
- Completely assembled and tested, ready for installation



5-year warranty

**Type overview**

Type	DN
F6100L	4" [100]

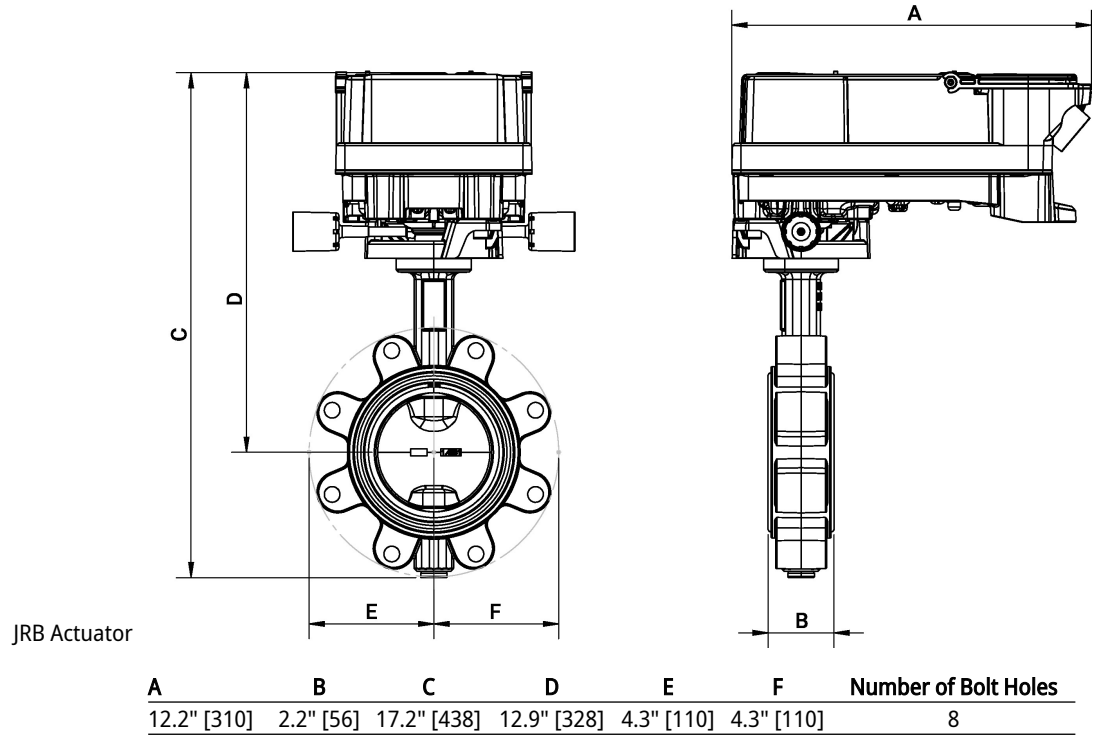
**Technical data**

Functional data	Fluid	Cold and warm water, water with glycol up to max. 60% vol.
Fluid temperature		-22...250°F [-30...120°C]
Body Pressure Rating		ANSI Class Consistent with 125, 232 psi CWP
Close-off pressure Δps		200 psi
Flow characteristic		equal percentage
Leakage rate		0% leakage
Pipe connection		Flange for use with ASME/ANSI class 125/150
Servicing		maintenance-free
Flow Pattern		2-way
Controllable flow range		90° rotation
Cv		798
Maximum Velocity		12 FPS
Lug threads		5/8-11 UNC
Materials	Valve body	Ductile cast iron GGG40
Valve plug		Stainless steel AISI 304 (CF-8, 1.4308)
Stem		Stainless steel AISI 420 (1.4021)
Stem seal		EPDM O-ring
Stem bearing		Bronze, steel, PTFE
Seat		EPDM

**Dimensions**

Type	DN	Weight
F6100L	4" [100]	14.8 lb [6.7 kg]

Dimensions



Further documentation

- The complete product range for water applications
- Data sheets for actuators
- Installation instructions for actuators and/or butterfly valves
- General notes for project planning

Trade Selection by Belimo



**Manual Handle and Worm Gear for Butterfly Valves**

**Applications**

For manually operating D6... , EXT-D6... series butterfly valves.

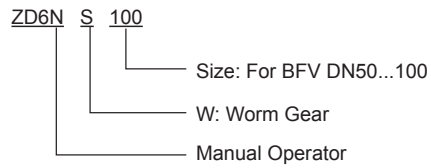
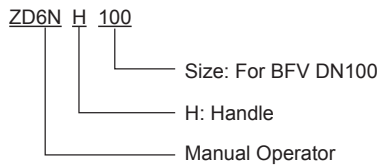


**Technical data**

**Materials**

Worm Gear	Gear train	Ductile cast iron and steel gear sets	
	Housing	ZD6N-S100~ZD6N-S150	Cast Aluminium
		ZD6N-S350~ZD6N-S600	Cast Iron
	Shaft	Steel 45	
	Hand wheel	Cast iron	
Handle	ZD6N-H100~ZD6N-H150		Cast Aluminium
Stop Plate	Steel		

**Ordering sample**



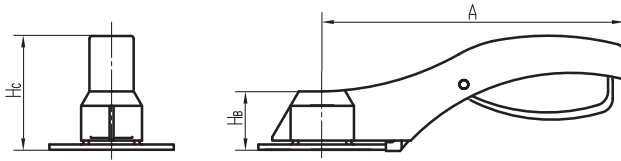
**Combination table**

	D650N(L)	D665N(L)	D680N(L)	D6100N(L) / W(L)	D6125N(L) / W(L)	D6150N(L) / W(L)	D6200W(L)	D6250W(L)	D6300W(L)	D6350N(L) / B(L)	D6400N(L) / B(L)	D6450N(L) / B(L)	D6500N(L) / B(L)	D6600N(L) / B(L)
ZD6N-H100	Shaded	Shaded	Shaded	Shaded										
ZD6N-H150					Shaded	Shaded								
ZD6N-S100	Shaded	Shaded	Shaded	Shaded										
ZD6N-S150					Shaded	Shaded	Shaded	Shaded	Shaded					
ZD6N-S350										Shaded				
ZD6N-S400											Shaded			
ZD6N-S450												Shaded		
ZD6N-S500													Shaded	
ZD6N-S600														Shaded

Suitable combination

## Dimensions [mm]

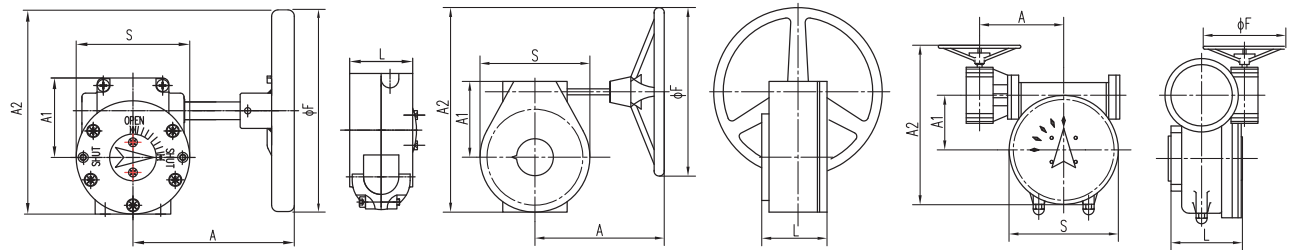
### Manual Handle



ZD6-H100~ZD6-H150

Type	Top Flange	Dimensions [mm]			Weight (kg)
		A	H <sub>B</sub>	H <sub>C</sub>	
ZD6N-H100	F05, 14x14	170	32	64	0.50
ZD6N-H150	F07, 17x17	260	37	75	0.65

### Worm Gear



Single-stage Worm Gear  
ZD6N-S100 ~ ZD6N-S350

Single-stage Worm Gear  
ZD6N-S400 ~ ZD6N-S450

Double-stage Worm Gear  
ZD6N-S500 ~ ZD6N-S600

Type	Top flange	Dimensions [mm]						Speed Ratio	Weight (kg)
		A	A1	A2	L	S	øF		
ZD6N-S100	F05, 14x14	164.5	76	170	71	107	146	24:1	4.6
ZD6N-S150	F07, 17x17	164.5	76	170	71	107	146	24:1	4.6
ZD6N-S350	F10, 22x22	228	113	301.5	82	160	285	50:1	11.8
ZD6N-S400	F14, 36x36	260	155	439.5	98	254	385	80:1	16.5
ZD6N-S450	F14, 36x36	260	155	439.5	98	254	385	80:1	21.8
ZD6N-S500	F14, 36x36	280	110	390	124	220	285	560:1	34.5
ZD6N-S600	F16, 36x36	306	136	442	129	272	385	560:1	49