

2-way, Characterized Control Valve, Stainless Steel Ball and Stem



5-year warranty

### Type overview

|             |           |
|-------------|-----------|
| <b>Type</b> | <b>DN</b> |
| B215HT116   | 15        |

### Technical data

|                           |                                   |   |                                       |
|---------------------------|-----------------------------------|---|---------------------------------------|
| <b>Functional data</b>    | Valve size [mm]                   | 0.5" [15]   |                                       |
|                           | Fluid                             | high temperature hot water/low pressure steam, up to 60% glycol |                                       |
|                           | Fluid Temp Range (water)          | 60...266°F [16...130°C]   |                                       |
|                           | Fluid Temp Range (steam)          | 250°F [120°C]   |                                       |
|                           | Body Pressure Rating              | 600 psi   |                                       |
|                           | Close-off pressure Δps            | 200 psi   |                                       |
|                           | Flow characteristic               | equal percentage  |                                       |
|                           | Pipe connection                   | Internal thread<br>NPT (female)                                 |                                       |
|                           | Servicing                         | maintenance-free  |                                       |
|                           | Max Differential Pressure (Steam) | 15 psi  |                                       |
|                           | Flow Pattern                      | 2-way   |                                       |
|                           | Leakage rate                      | 0%  |                                       |
|                           | Controllable flow range           | 75°   |                                       |
|                           | Cv                                | 1.16  |                                       |
|                           | Maximum Inlet Pressure (Steam)    | 15 psi  |                                       |
|                           | <b>Materials</b>                  | Valve body  | Nickel-plated brass (DZR) P-CuZn35Pb2 |
|                           |                                   | Stem  | stainless steel                       |
| Stem seal                 |                                   | Viton O-ring  |                                       |
| Seat                      |                                   | ETFE  |                                       |
| Characterized disc        |                                   | ETFE  |                                       |
| O-ring                    |                                   | EPDM (lubricated)   |                                       |
| Ball                      |                                   | stainless steel   |                                       |
| <b>Suitable actuators</b> | Non Fail-Safe                     | TR<br>LRB(X)  |                                       |
|                           | Spring                            | TFRB(X)   |                                       |

### Safety notes



- **WARNING:** This product can expose you to lead which is known to the State of California to cause cancer and reproductive harm. For more information go to [www.p65warnings.ca.gov](http://www.p65warnings.ca.gov)

Product features

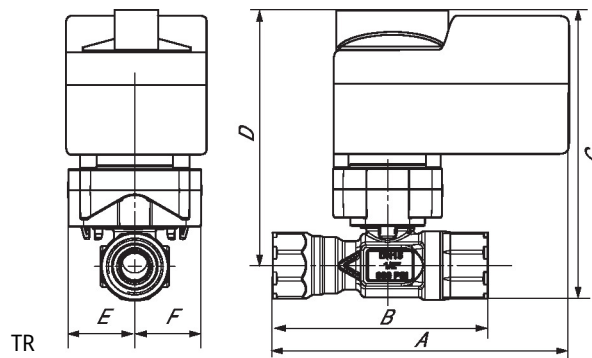
**Application** This valve is typically used in air handling units on heating or cooling coils, and fan coil unit heating or cooling coils. Some other common applications include unit ventilators, VAV box re-heat coils and bypass loops. This valve is suitable for use in a hydronic system with variable flow. This valve is designed to fit in compact areas where on/off, floating point and modulating control is required using 24 VAC.

Flow/Mounting details

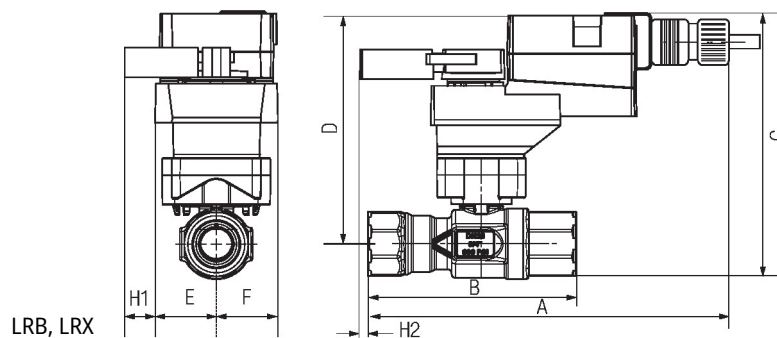


Dimensions

| Type      | DN | Weight            |
|-----------|----|-------------------|
| B215HT116 | 15 | 0.62 lb [0.28 kg] |

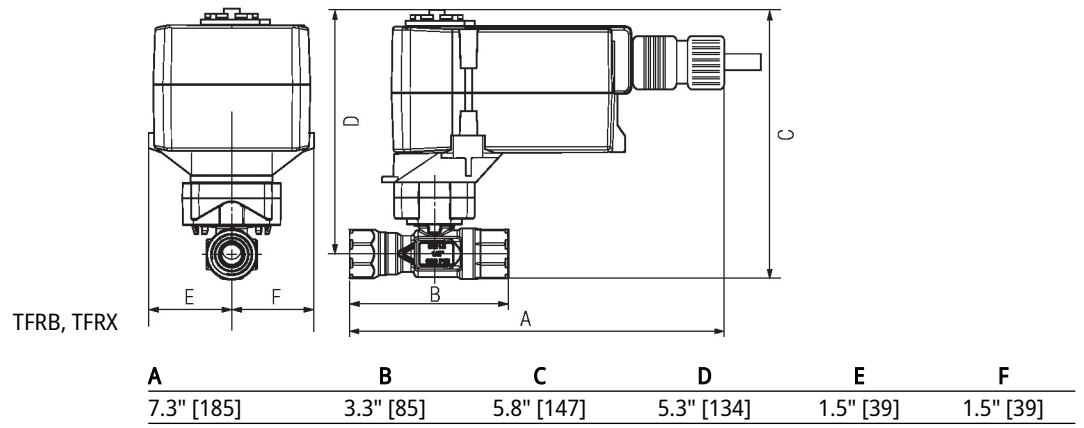


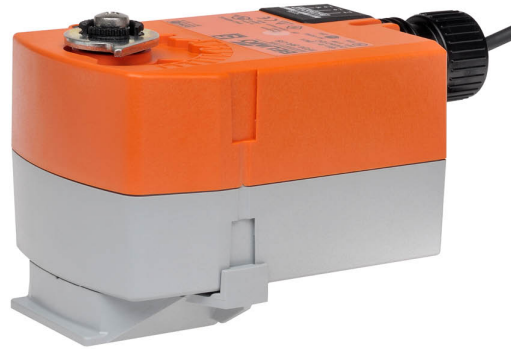
| A          | B         | C          | D          | E         | F         |
|------------|-----------|------------|------------|-----------|-----------|
| 4.2" [106] | 3.3" [85] | 5.4" [137] | 4.9" [125] | 1.5" [39] | 1.5" [39] |



| A          | B         | C          | D          | E         | F         | H1        | H2        |
|------------|-----------|------------|------------|-----------|-----------|-----------|-----------|
| 8.3" [211] | 3.3" [85] | 5.8" [147] | 5.3" [134] | 1.3" [33] | 1.3" [33] | 1.2" [30] | 0.6" [15] |

Dimensions





5-year warranty


**Technical data**

|                        |                                    |   |
|------------------------|------------------------------------|---|
| <b>Electrical data</b> | Nominal voltage                    | AC/DC 24 V  |
|                        | Nominal voltage frequency          | 50/60 Hz  |
|                        | Nominal voltage range              | AC 19.2...28.8 V / DC 21.6...28.8 V   |
|                        | Power consumption in operation     | 2.5 W   |
|                        | Power consumption in rest position | 1 W   |
|                        | Transformer sizing                 | 4 VA  |
|                        | Electrical Connection              | 18 GA appliance or plenum cables, 1 m, 3 m or 5 m, with or without 1/2" NPT conduit connector |
|                        | Overload Protection                | electronic throughout 0...95° rotation  |
| <b>Functional data</b> | Operating range Y                  | 2...10 V  |
|                        | Operating range Y note             | 4...20 mA w/ ZG-R01 (500 Ω, 1/4 W resistor)   |
|                        | Input impedance                    | 100 kΩ for 2...10 V (0.1 mA), 500 Ω for 4...20 mA, 1500 Ω for PWM, On/Off and Floating point  |
|                        | Operating range Y variable         | Start point 0.5...30 V<br>End point 2.5...32 V  |
|                        | Operating modes optional           | variable (VDC, PWM, on/off, floating point)   |
|                        | Position feedback U                | 2...10 V  |
|                        | Position feedback U note           | Max. 0.5 mA   |
|                        | Position feedback U variable       | VDC variable  |
|                        | Direction of motion motor          | selectable with switch 0/1  |
|                        | Direction of motion fail-safe      | reversible with cw/ccw mounting   |
|                        | Angle of rotation                  | Max. 95°  |
|                        | Running Time (Motor)               | 150 s / 90°   |
|                        | Running time motor variable        | 75...300 s  |
|                        | Running time fail-safe             | <25 s @ -10...55°C / <60 s @ -30...-10°C  |
|                        | Noise level, motor                 | 35 dB(A)  |
|                        | Noise level, fail-safe             | 62 dB(A)  |
| Position indication    | Mechanical                         |   |
| <b>Safety data</b>     | Power source UL                    | Class 2 Supply  |
|                        | Degree of protection IEC/EN        | IP42  |
|                        | Degree of protection NEMA/UL       | NEMA 2  |
|                        | Enclosure                          | UL Enclosure Type 2   |
|                        | Agency Listing                     | cULus acc. to UL60730-1A/-2-14, CAN/CSA E60730-1:02<br>CE acc. to 2014/30/EU and 2014/35/EU   |
|                        | Quality Standard                   | ISO 9001  |
|                        | UL 2043 Compliant                  | Suitable for use in air plenums per Section 300.22(C) of the NEC and Section 602 of the IMC   |

|                    |   |                             |
|--------------------|---|-----------------------------|
| <b>Safety data</b> | Ambient humidity                            | Max. 95% RH, non-condensing |
|                    | Ambient temperature                         | -22...122°F [-30...50°C]    |
|                    | Storage temperature                         | -40...176°F [-40...80°C]    |
|                    | Servicing                                   | maintenance-free            |
| <b>Weight</b>      | Weight                                      | 1.3 lb [0.59 kg]            |
| <b>Materials</b>   | Housing material                            | UL94-5VA                    |
| <b>Footnotes</b>   | *Variable when configured with MFT options. |                             |

**Accessories**

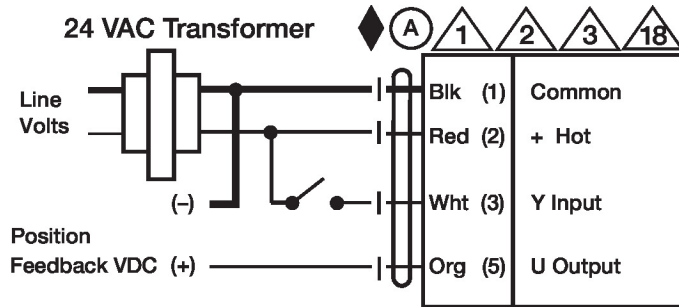
| Gateways               | Description   | Type    |
|------------------------|---|---------|
|                        | Gateway MP to BACnet MS/TP  | UK24BAC |
|                        | Gateway MP to Modbus RTU  | UK24MOD |
|                        | Gateway MP to LonWorks  | UK24LON |
| Electrical accessories | Description   | Type    |
|                        | Service tool, with ZIP-USB function, for programmable and communicative Belimo actuators, VAV controller and HVAC performance devices | ZTH US  |
| Tools                  | Description   | Type    |
|                        | Connecting cable 10 ft [3 m], A: RJ11 6/4 ZTH EU, B: 3-pin Weidmüller and supply connection   | ZK4-GEN |
|                        | Service tool, with ZIP-USB function, for programmable and communicative Belimo actuators, VAV controller and HVAC performance devices | ZTH US  |

**Electrical installation**
**INSTALLATION NOTES**

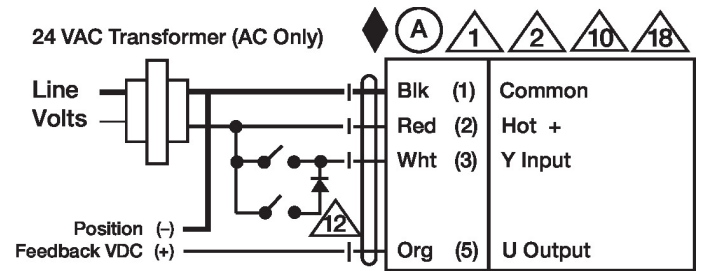
- Actuators with appliance cables are numbered.
- Provide overload protection and disconnect as required.
- Actuators may be connected in parallel. Power consumption and input impedance must be observed.
- Actuators may also be powered by DC 24 V.
- Two built-in auxiliary switches (2x SPDT), for end position indication, interlock control, fan startup, etc.
- Only connect common to negative (-) leg of control circuits.
- A 500 Ω resistor (ZG-R01) converts the 4...20 mA control signal to 2...10 V.
- Control signal may be pulsed from either the Hot (Source) or Common (Sink) 24 V line.
- For triac sink the Common connection from the actuator must be connected to the Hot connection of the controller. Position feedback cannot be used with a triac sink controller; the actuator internal common reference is not compatible.
- IN4004 or IN4007 diode. (IN4007 supplied, Belimo part number 40155).
- Actuators with plenum cable do not have numbers; use color codes instead.
- Meets cULus requirements without the need of an electrical ground connection.
- Warning! Live electrical components!**  
During installation, testing, servicing and troubleshooting of this product, it may be necessary to work with live electrical components. Have a qualified licensed electrician or other individual who has been properly trained in handling live electrical components perform these tasks. Failure to follow all electrical safety precautions when exposed to live electrical components could result in death or serious injury.

### Wiring diagrams

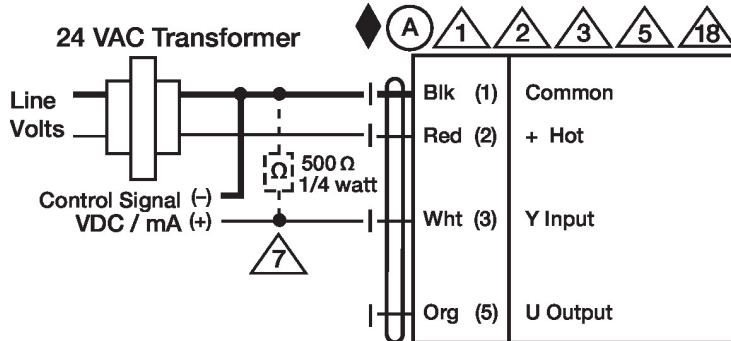
On/Off



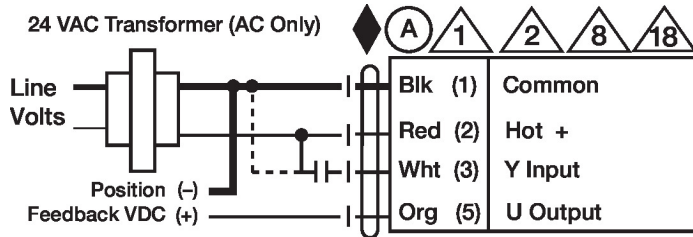
Floating Point



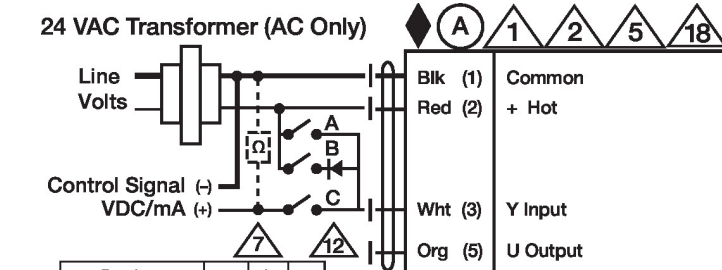
VDC/mA Control



PWM Control



Override Control



| Functions                     | a | b | c |
|-------------------------------|---|---|---|
| Min 0%                        |   |   |   |
| Mid 50%                       |   |   |   |
| Max 100%                      |   |   |   |
| Normal Control mode acc. to Y |   |   |   |