

2-way, Characterized Control Valve, Stainless Steel Ball and Stem



5-year warranty

### Type overview

|             |           |
|-------------|-----------|
| <b>Type</b> | <b>DN</b> |
| B215HT073   | 15        |

### Technical data

|                           |                                   |   |
|---------------------------|-----------------------------------|---|
| <b>Functional data</b>    | Valve size [mm]                   | 0.5" [15]   |
|                           | Fluid                             | high temperature hot water/low pressure steam, up to 60% glycol |
|                           | Fluid Temp Range (water)          | 60...266°F [16...130°C]   |
|                           | Fluid Temp Range (steam)          | 250°F [120°C]   |
|                           | Body Pressure Rating              | 600 psi   |
|                           | Close-off pressure Δps            | 200 psi   |
|                           | Flow characteristic               | equal percentage  |
|                           | Pipe connection                   | Internal thread<br>NPT (female)                                 |
|                           | Servicing                         | maintenance-free  |
|                           | Max Differential Pressure (Steam) | 15 psi  |
|                           | Flow Pattern                      | 2-way   |
|                           | Leakage rate                      | 0%  |
|                           | Controllable flow range           | 75°   |
|                           | Cv                                | 0.73  |
|                           | Maximum Inlet Pressure (Steam)    | 15 psi  |
|                           | <b>Materials</b>                  | Valve body  |
| Stem                      |                                   | stainless steel   |
| Stem seal                 |                                   | Viton O-ring  |
| Seat                      |                                   | ETFE  |
| Characterized disc        |                                   | ETFE  |
| O-ring                    |                                   | EPDM (lubricated)   |
| Ball                      |                                   | stainless steel   |
| <b>Suitable actuators</b> | Non Fail-Safe                     | TR<br>LRB(X)  |
|                           | Spring                            | TFRB(X)   |

### Safety notes



- **WARNING:** This product can expose you to lead which is known to the State of California to cause cancer and reproductive harm. For more information go to [www.p65warnings.ca.gov](http://www.p65warnings.ca.gov)

Product features

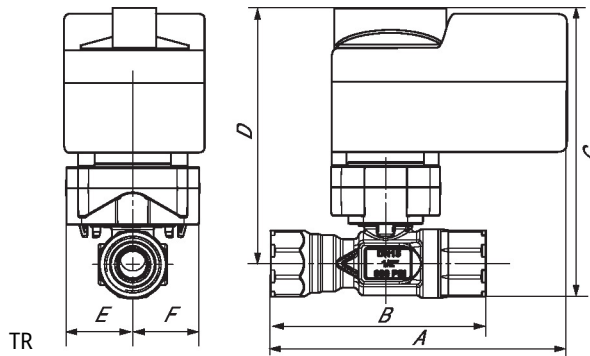
**Application** This valve is typically used in air handling units on heating or cooling coils, and fan coil unit heating or cooling coils. Some other common applications include unit ventilators, VAV box re-heat coils and bypass loops. This valve is suitable for use in a hydronic system with variable flow. This valve is designed to fit in compact areas where on/off, floating point and modulating control is required using 24 VAC.

Flow/Mounting details

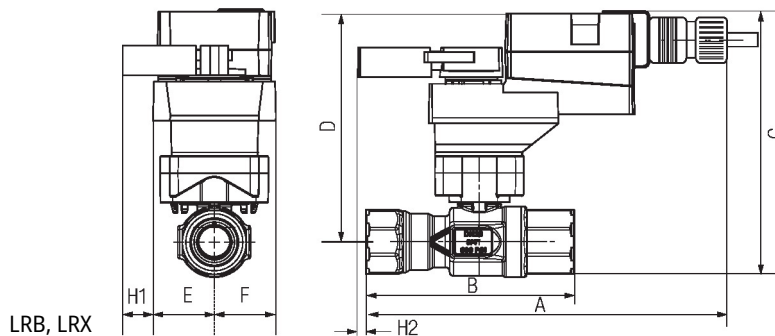


Dimensions

| Type      | DN | Weight            |
|-----------|----|-------------------|
| B215HT073 | 15 | 0.62 lb [0.28 kg] |

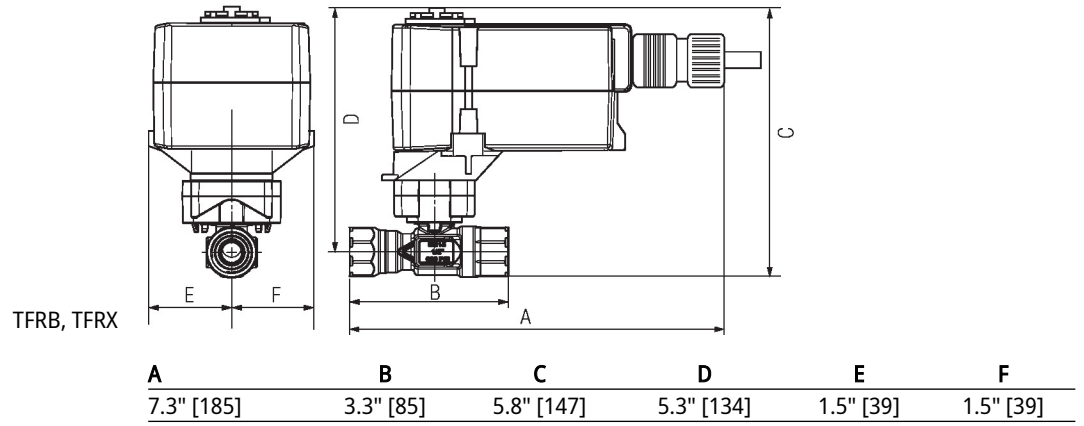


| A          | B         | C          | D          | E         | F         |
|------------|-----------|------------|------------|-----------|-----------|
| 4.2" [106] | 3.3" [85] | 5.4" [137] | 4.9" [125] | 1.5" [39] | 1.5" [39] |



| A          | B         | C          | D          | E         | F         | H1        | H2        |
|------------|-----------|------------|------------|-----------|-----------|-----------|-----------|
| 8.3" [211] | 3.3" [85] | 5.8" [147] | 5.3" [134] | 1.3" [33] | 1.3" [33] | 1.2" [30] | 0.6" [15] |

Dimensions





5-year warranty



Technical data

|                        |                                |   |
|------------------------|--------------------------------|---|
| <b>Electrical data</b> | Nominal voltage                | AC/DC 24 V  |
|                        | Nominal voltage frequency      | 50/60 Hz  |
|                        | Nominal voltage range          | AC 19.2...28.8 V / DC 21.6...28.8 V   |
|                        | Power consumption in operation | 0.5 W   |
|                        | Transformer sizing             | 1 VA  |
|                        | Electrical Connection          | 18 GA plenum cable, 1 m   |
|                        | Overload Protection            | electronic throughout full rotation   |
| <b>Functional data</b> | Operating range Y              | 2...10 V  |
|                        | Operating range Y note         | 4...20 mA w/ ZG-R01 (500 Ω, 1/4 W resistor)   |
|                        | Input impedance                | 100 kΩ for 2...10 V (0.1 mA), 500 Ω for 4...20 mA   |
|                        | Direction of motion motor      | selectable with switch  |
|                        | Manual override                | push down handle  |
|                        | Angle of rotation              | 90°   |
|                        | Running Time (Motor)           | 90 s / 90°  |
|                        | Noise level, motor             | 35 dB(A)  |
| Position indication    | integrated into handle         |   |
| <b>Safety data</b>     | Power source UL                | Class 2 Supply  |
|                        | Degree of protection IEC/EN    | IP40  |
|                        | Degree of protection NEMA/UL   | NEMA 1  |
|                        | Enclosure                      | UL Enclosure Type 1   |
|                        | Agency Listing                 | cULus acc. to UL60730-1A/-2-14, CAN/CSA E60730-1:02<br>CE acc. to 2014/30/EU and 2014/35/EU |
|                        | Quality Standard               | ISO 9001  |
|                        | UL 2043 Compliant              | Suitable for use in air plenums per Section 300.22(C) of the NEC and Section 602 of the IMC |
|                        | Ambient humidity               | Max. 95% RH, non-condensing   |
|                        | Ambient temperature            | -22...122°F [-30...50°C]  |
|                        | Storage temperature            | -40...176°F [-40...80°C]  |
|                        | Servicing                      | maintenance-free  |
|                        | <b>Weight</b>                  | Weight  |

**Footnotes** Rated impulse voltage 500 V, control pollution degree 2, type of action 1.  
NOTE: Response sensitivity is 75 mV

## Accessories

| Electrical accessories | Description   | Type     |
|------------------------|---|----------|
|                        | Battery backup system, for non-spring return models | NSV24 US |
|                        | Battery, 12 V, 1.2 Ah (two required)                | NSV-BAT  |

## Electrical installation

**INSTALLATION NOTES**

- Provide overload protection and disconnect as required.
- Actuators may also be powered by DC 24 V.
- Only connect common to negative (-) leg of control circuits.
- A 500  $\Omega$  resistor (ZG-R01) converts the 4...20 mA control signal to 2...10 V.
- Actuators may be connected in parallel if not mechanically linked. Power consumption and input impedance must be observed.
- Meets cULus requirements without the need of an electrical ground connection.
- Warning! Live electrical components!**  
During installation, testing, servicing and troubleshooting of this product, it may be necessary to work with live electrical components. Have a qualified licensed electrician or other individual who has been properly trained in handling live electrical components perform these tasks. Failure to follow all electrical safety precautions when exposed to live electrical components could result in death or serious injury.

**Wiring diagrams**

2...10 V / 4...20 mA Control

