

**Positioner, suitable for modulating type actuators**

- For surface mounting



**Technical data**

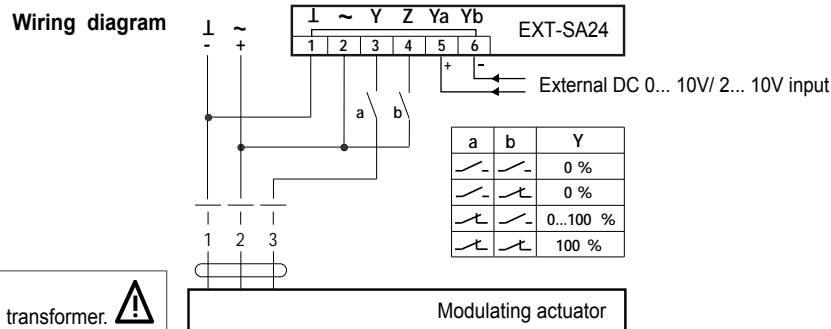
<b>Electrical data</b>	Nominal voltage	AC 24V 50/60Hz, DC 24V, Vcc from ..M230ASR
	Nominal voltage range	AC/DC 19.2 ... 28.8V
	Power consumption	0.3W
	Wire sizing	1 VA
<b>Functional data</b>	Connection	Terminals, max. 1.5mm <sup>2</sup>
	Control signal Y (Manual)	DC 0 ... 10V, 2 ... 10V by slide switch (default 2... 10V)
	Ya, Yb (Auto)	External DC 0...10V or 2...10V input
	Switch	Top slide switch: On - Off Middle slide switch: Manual - Auto
	Scale	0 ... 100%
<b>Working conditions</b>	Protection class	III (safety low voltage)
	Degree of protection	IP30
	Ambient temperature	-20 ... +50°C
	Non-operation temperature	-40 ... +80°C
<b>Dimensions / Weight</b>	Maintenance	Maintenance free
	Dimensions (L x H x W)	110 x 84 x 28 (mm)
	Weight	Approx. 80g

**Product features**

**Application** The positioner is intended for the remote control of modulating type actuators or for use as a minimum positioner (providing a buttom limit for the output signals from modulating controllers). The controls range is 0 ... 100% of the angle of rotation of the actuator.

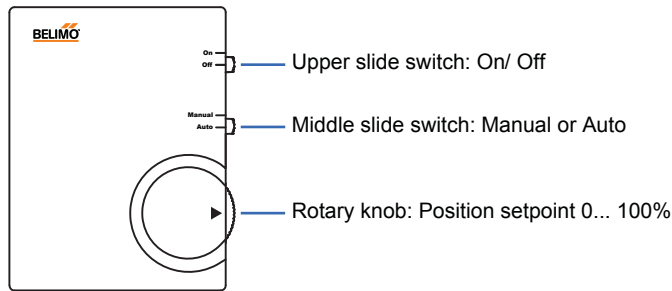
**Wide setting range** The position to which the rotary knob is turned produces a proportional control signal Y of either DC 2 ... 10V or DC 0 ... 10V and thus a proportional change in the position of the actuator between 0 and 100%. The changeover from DC 2 ... 10V to DC 0 ... 10V is selected by a slide switch on the printed circuit board.

**Electrical installation**

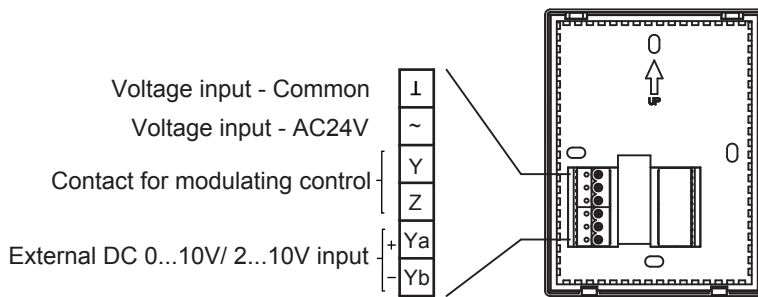


**Note**  
Connection via safety isolating transformer.

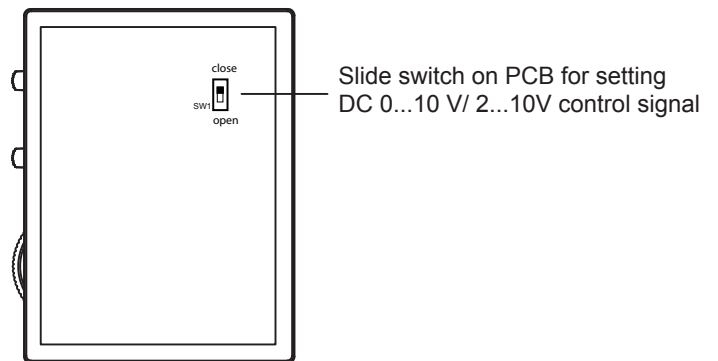
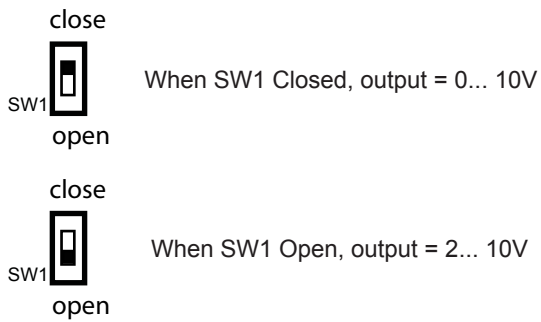
**Switches**



**Terminals**



**Slide switch setting**



**Dimensions (mm)**

