

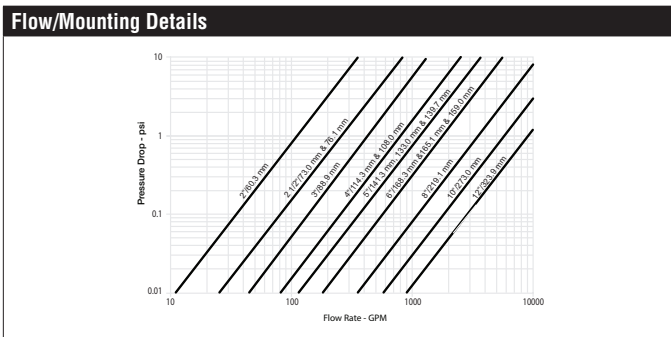
F6150VIC Technical Data Sheet

Pressure Enhanced Rubber Seat



| Technical Data | |
|--------------------------|--|
| Fluid | chilled, hot water, up to 60% glycol |
| Flow characteristic | modified equal percentage |
| Controllable flow range | 90° rotation |
| Valve Size [mm] | 6" [150] |
| Pipe connection | grooved ANSI/AWWA (c606) |
| Housing | Ductile cast iron ASTM A536 |
| Body finish | black alkyd enamel |
| Stem | 416 stainless steel |
| Spindle bearing | fiberglass with TFE lining |
| Seat | EPDM |
| Disc | electroless nickel coated ductile iron |
| Body Pressure Rating | ANSI Class Grooved AWWA, 300 psi |
| ANSI Class | Grooved AWWA |
| Close-off pressure Δps | 200 psi |
| Rangeability Sv | 100:1 |
| Maximum Velocity | 20 FPS |
| Cv | 1800 |
| Weight | 20 lb [9.1 kg] |
| Fluid Temp Range (water) | -22...250°F [-30...120°C] |
| Leakage rate | 0% |
| Maintenance | maintenance-free |

Close-off pressures are variable and actuator dependent, consult Select Pro and/or Price Guide for specifics.



Application

These valves are designed to meet the needs of HVAC and commercial applications requiring bubble tight shut-off for liquids. Typical applications include chiller isolation, cooling tower isolation, change-over systems, large air handler coil control, bypass and process control applications. The large Cv values provide for an economical control valve solution for larger flow applications. Designed for use in Victaulic® piping systems.

Jobsite Note

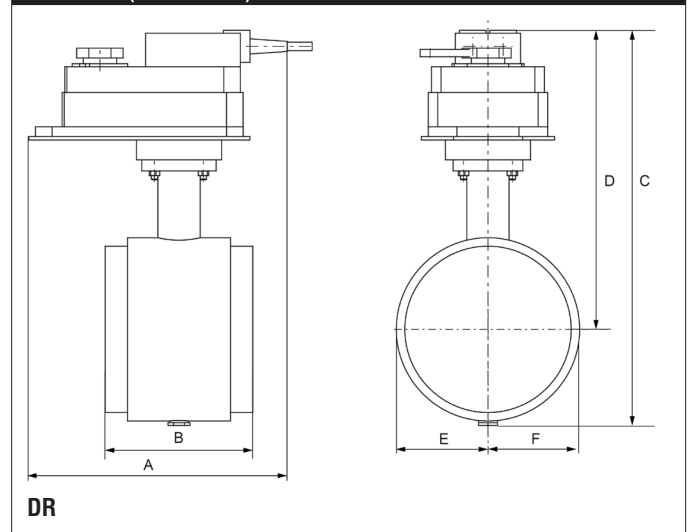
Valve assembly should be stored in a weather protected area prior to installation. Reference the butterfly valve installation instruction for additional information.

| Flow/Cv | | | | | |
|---------|--------|--------|--------|--------|--------|
| Cv 30° | Cv 40° | Cv 50° | Cv 60° | Cv 70° | Cv 90° |
| 110 | 220 | 360 | 560 | 940 | 1800 |

Suitable Actuators

| | Non-Spring | Electronic fail-safe |
|----------|----------------|----------------------|
| F6150VIC | DRB(X), PRB(X) | PKRB(X) |

Dimensions (Inches [mm])

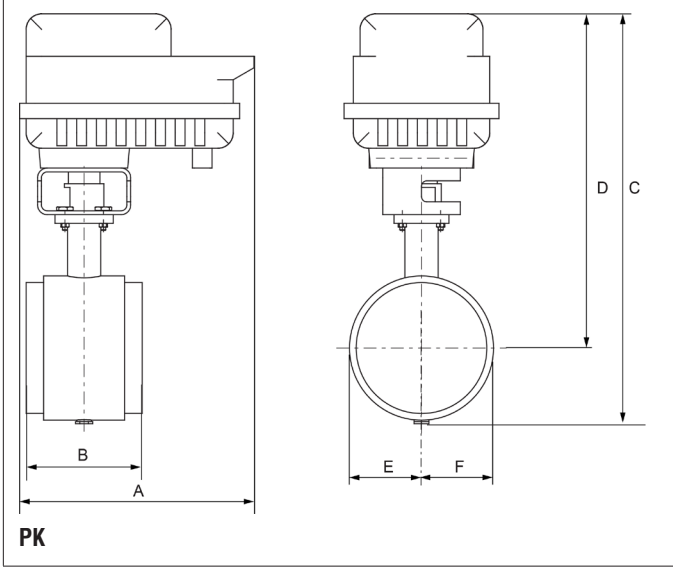


| A | B | C | D | E | F |
|-------------|------------|-------------|-------------|-----------|---|
| 11.3" [286] | 5.9" [150] | 15.7" [400] | 11.9" [302] | 3.7" [95] | |

Safety Notes

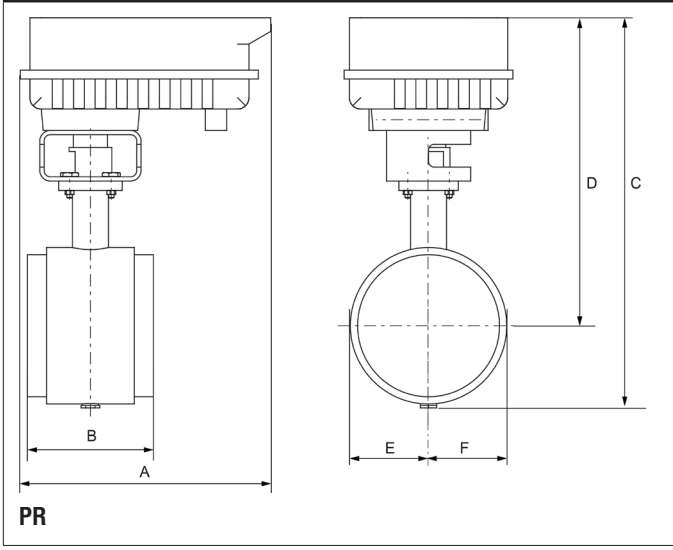
WARNING: For Belimo products sold in California: these products do or may contain chemicals which are known to the State of California to cause cancer and or birth defects or other reproductive harms. For more information see www.p65warnings.ca.gov.

Dimensions (Inches [mm])



| A | B | C | D | E | F |
|-------------|------------|-------------|-------------|-----------|---|
| 11.9" [302] | 5.9" [150] | 20.7" [527] | 16.9" [428] | 3.7" [95] | |

Dimensions (Inches [mm])



| A | B | C | D | E | F |
|-------------|------------|-------------|-------------|-----------|---|
| 11.7" [298] | 5.9" [150] | 18.2" [463] | 14.4" [366] | 3.7" [95] | |

Date created, 09/11/2019 - Subject to change. © Belimo Aircontrols (USA), Inc.

DRX24-MFT-T Technical Data Sheet

Modulating, Non-Spring Return, 24 V, for DC 2...10 V or 4...20 mA



5-year warranty



Technical Data

| | |
|------------------------------------|--|
| Power Supply | 24 VAC, ±20%, 50/60 Hz, 24 VDC, ±10% |
| Power consumption in operation | 12 W |
| Power consumption in rest position | 3 W |
| Transformer sizing | 21 VA (class 2 power source) |
| Electrical Connection | Screw terminal (for 22 to 12 AWG wire) |
| Overload Protection | electronic throughout 0...90° rotation |
| Operating Range | DC 2...10 V (default), 4...20 mA w/ ZG-R01 (500 Ω, 1/4 W resistor), variable (VDC, on/off, floating point) |
| Operating range Y variable | Start point DC 0.5...30 V End point DC 2.5...32 V |
| Input Impedance | 100 kΩ for DC 2...10 V (0.1 mA), 500 Ω for 4...20 mA, 1500 Ω for On/Off |
| Position Feedback | DC 2...10 V, Max. 0.5 mA, VDC variable |
| Direction of rotation motor | reversible with built-in switch |
| Position indication | Mechanically, pluggable |
| Manual override | external push button |
| Running Time (Motor) | default 150 s, variable 90...150 s |
| Ambient humidity | max. 95% r.H., non-condensing |
| Storage temperature | -40...176°F [-40...80°C] |
| Degree of Protection | IP54, NEMA 1, UL Enclosure Type 1 |
| Housing material | UL94-5VA |
| Noise level, motor | 45 dB(A) |
| Maintenance | maintenance-free |
| Quality Standard | ISO 9001 |
| Weight | 2.7 lb [1.2 kg] |

Safety Notes

WARNING: For Belimo products sold in California: these products do or may contain chemicals which are known to the State of California to cause cancer and or birth defects or other reproductive harms. For more information see www.p65warnings.ca.gov.

Wiring Diagrams

INSTALLATION NOTES

- Provide overload protection and disconnect as required.
- Actuators may also be powered by 24 VDC.
- Only connect common to negative (-) leg of control circuits.
- A 500 Ω resistor (ZG-R01) converts the 4 to 20 mA control signal to 2 to 10 VDC.
- For triac sink the Common connection from the actuator must be connected to the Hot connection of the controller. Position feedback cannot be used with a triac sink controller; the actuator internal common reference is not compatible.
- IN4004 or IN4007 diode. (IN4007 supplied, Belimo part number 40155).
- Actuators are provided with a numbered screw terminal strip instead of a cable.
- Meets cULus requirements without the need of an electrical ground connection.

WARNING! LIVE ELECTRICAL COMPONENTS!
 During installation, testing, servicing and troubleshooting of this product, it may be necessary to work with live electrical components. Have a qualified licensed electrician or other individual who has been properly trained in handling live electrical components perform these tasks. Failure to follow all electrical safety precautions when exposed to live electrical components could result in death or serious injury.

